

PCM 175/150 T



Sample image

Order symbol : PCM 175/150 T

Product nr : 6016923

Description : Enclosure, PC, metric knock-outs

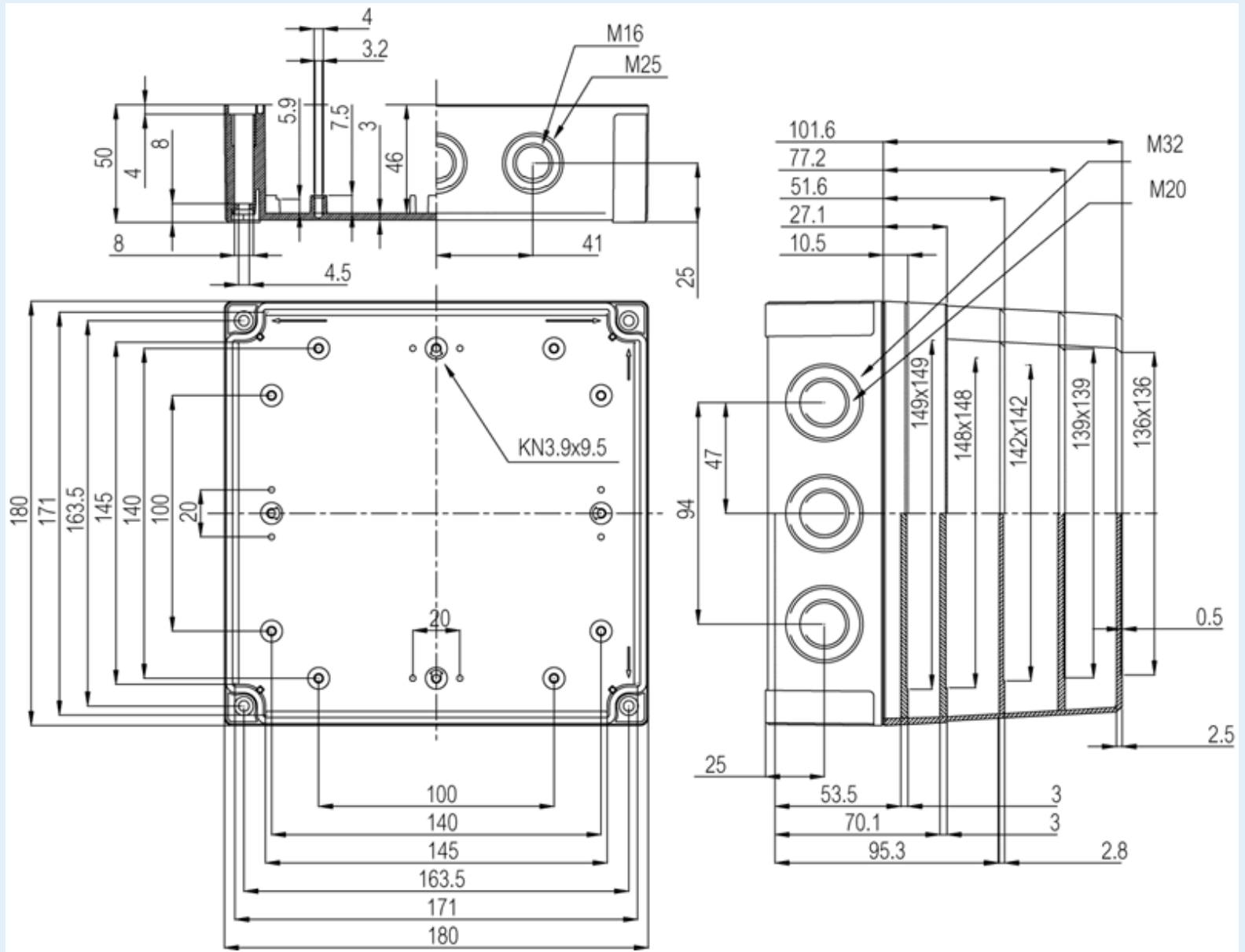
Remarks : Smoked transparent cover

EAN : 6418074052285

El. number :

- Finland : 3435222
- Denmark : 8212027556
- Sweden : 2535441

Including : Base with TPE gasket. screws for mounting plate/DIN-rail and cover with polyamide cover screws.



Dimensions : **Height** **Width** **Depth**

mm : 180 180 150
 inch :

Materials :

Material : Polycarbonate
 Base colour : RAL 7035 -light grey
 Cover colour : Clear transparent
 Gasket material : Polyurethane

Accessories :

- MIV 175 Mounting plate (Galvanized steel), for enclosures: (148 x 148 x 1)
- FP A 175/180 Front plate (Aluminium), for enclosures: (170 x 162 x 1)
- HFP 180 Front plate hinge series
- MIN 15 DIN-15 Mounting rail, for enclosures: (150 x 15 x 1)
- MIV 15 DIN-35 Mounting rail, for enclosures: (150 x 35 x 1)
- FP 22046 Wall fastening lug (4 pcs)

Temperatures :

Temperature °C (short term) : -40 ... 120
 Temperature °C (continuous) : -40 ... 80
 Temperature °F (short term) : -40 ... 250
 Temperature °F (continuous) : -40 ... 175

Rating :

Ingress protection (EN 60529): IP66; IP67;
 Impact Resistance (EN 62262): IK08;
 Electrical insulation : Totally insulated
 Halogen free (DIN/VDE 0472, Part 815): 1
 UV resistance : UL 508

Flammability Rating : UL 746C 5"

Glow Wire Test (IEC 695-2-1) °C : 960 °C

NEMA Class

Certificates :

Certificate FI 40847