

SPECIFICATION:

Operating Current (Nom.):	1 A
Operating Temperature:	-55°C to 105°C
Insulation Resistance (Min.):	1000 MΩ
Contact Resistance (Max.):	15 mΩ
Dielectric Strength:	500 Vac

MATERIAL:

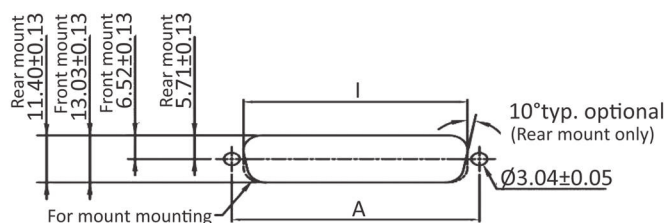
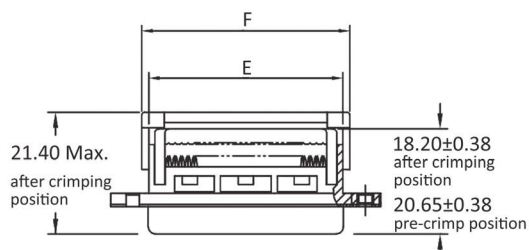
Material (Housing):	steel, tin plated
Flammability Class:	UL 94 V-0
Material (Insulation):	PBT
Material (Contact Area):	brass, gold plated

HANDLING:

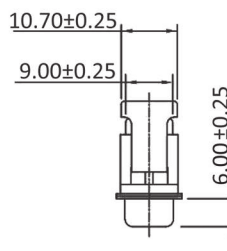
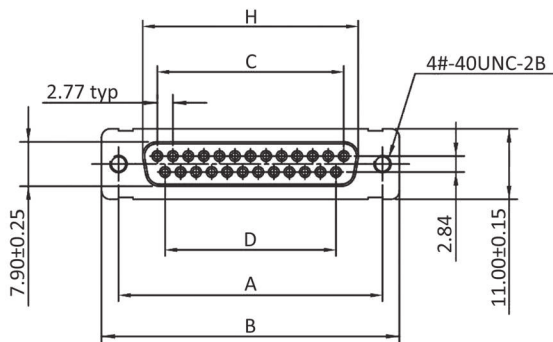
Terminal:	IDC
Packaging:	tray

TOLERANCE:

.X:	± 0.38
.XX:	± 0.25



Recommended panel cutout dimensions



Dimensions

Number of Contacts:	A:	B:	C:	D:	E:	F:	H:	I Frontseite:	I Rückseite:
9	24.99	30.8	11.08	8.31	16.1	18.6	16.33	22.2	20.47
15	33.32	39.1	19.39	16.62	24	26.5	24.66	30.53	28.8
25	47.04	53.09	33.24	30.47	38.14	40.9	38.38	44.27	42.52
37	63.5	69.4	49.86	47.09	54.6	57.1	54.84	60.73	59.09

Order Information

Identifier: BU	No. of Contacts: #	Contact Plating: S	Shell: K	/	Mounting: FG	Insulator Colour: black
D-Sub Female IDC	9: 9 poles 15: 15 poles 25: 25 poles 37: 37 poles	S: selective gold plated	metal shell with plastic strain relief		thread UNC4-40	