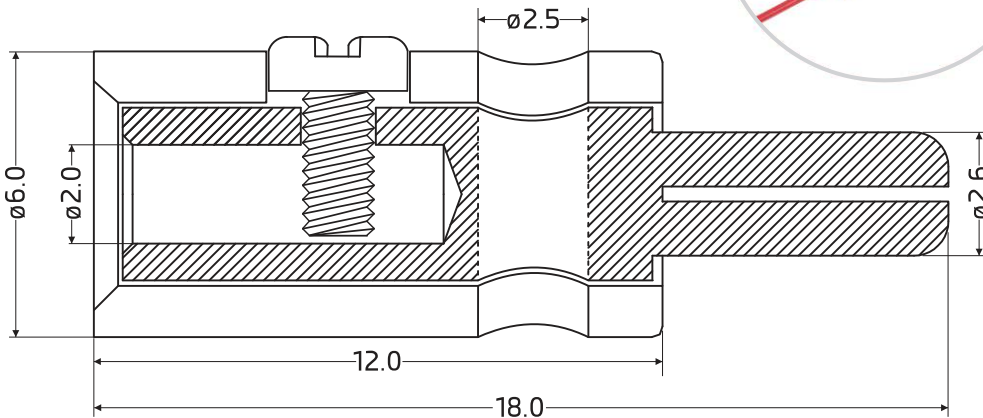
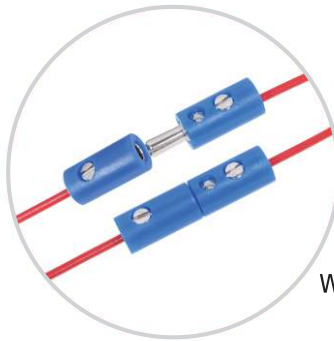


Best. Nr. 451 438

### Miniature Connector, 2.6mm Male Plug, Blue color 10pcs pack



Wire cross section: 0.5-1.5 mm<sup>2</sup>

#### Specification

Insulator material: ABS  
 Contact material: Copper  
 Plating: Nickel  
 Voltage rating: 30 V/DC  
 Current rating: 2A  
 Contact resistance: 5mΩ max.  
 Insulation resistance: 100MΩ min.  
 Operating temperature: -10°C to 85°C

B/N. 450872  
Red



B/N. 451439  
Black



B/N. 451437  
White



B/N. 450879  
Green



B/N. 451436  
Yellow



B/N. 451440  
Orange



B/N. 450881  
Grey



B/N. 450878  
Brown

