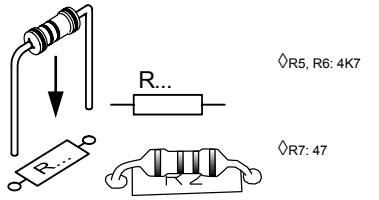


**START** **1** Resistor - Weerstand - Résistance - Widerstand - Resistencia - Motstand - Vastus - Resistenze

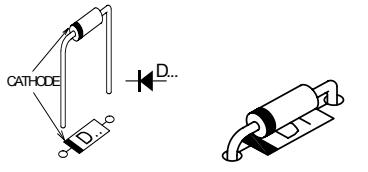


◇R1... R4: 470 (Yellow, Purple, Brown) -(Geel, Paars, Bruin) -(Jaune, Violet, Brun) -(Gelb, Violet, Braun) -(Gul, Lila, Bruin) -(Keltainen, Purppura, Ruskea) -(Amarillo, Morado, Marrón) -(Amarelo, Violeta, Castanho) -(Giallo, Viola, Marrone)

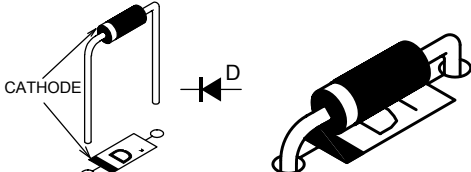
◇R5, R6: 4K7 (Yellow, Purple, Red) -(Geel, Paars, Rood) -(Jaune, Violet, Rouge) -(Gelb, Violet, Rot) -(Gul, Lila, Röd) -(Keltainen, Purppura, Punainen) -(Amarillo, Morado, Rojo) -(Amarelo, Violeta, Encarnado) -(Giallo, Viola, Rosso)

◇R7: 47 (Yellow, Purple, Black) -(Geel, Paars, Zwart) -(Jaune, Violet, Noir) -(Gelb, Violet, Schwarz) -(Gul, Lila, Svart) -(Keltainen, Purppura, Musta) -(Amarillo, Morado, Negro) -(Amarelo, Violeta, Preto) -(Giallo, Viola, Nero)

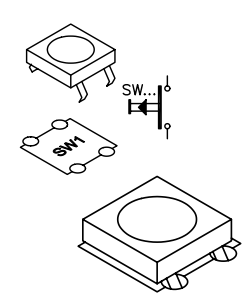
**2** DIODE ◇D1: BAT85 Watch the polarity! Att. la polarité!



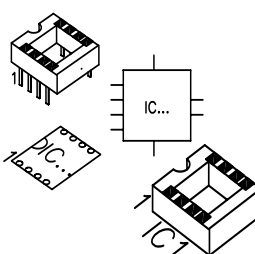
**3** DIODE ◇D2: 1N4007 Watch the polarity! Att. la polarité!



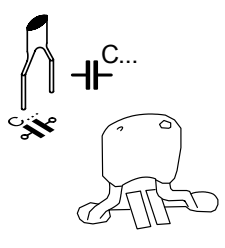
**4** ◇SW1...SW4



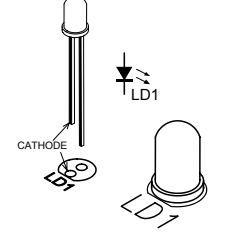
**5** IC Socket - IC voet - Support de CI - IC Fuß - Soporto del CI - IC Sockel - Mikropiirkanta - IC sokkel - Zoccolo IC



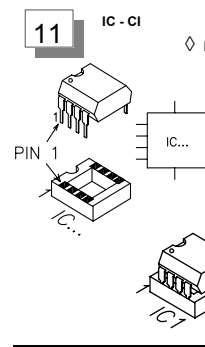
**6** Capacitor ◇C1: 1µF (105)



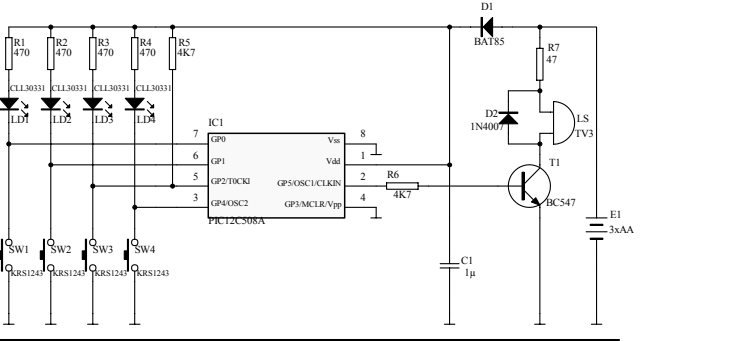
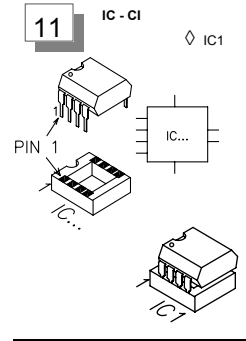
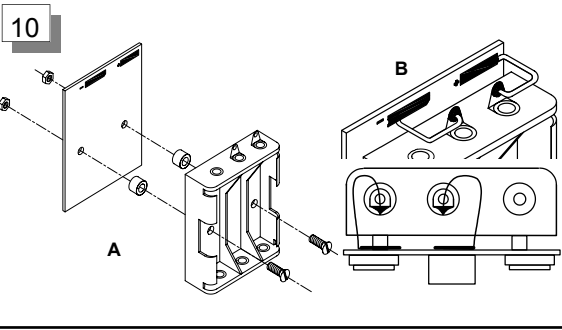
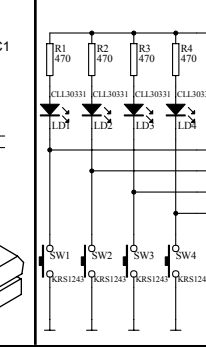
**7** LED ◇LD1... LD4: 3mm



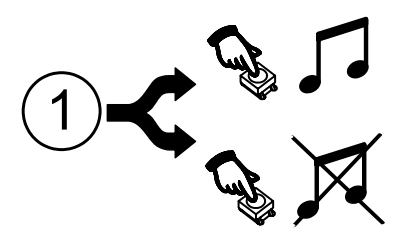
**8** Transistor ◇T1: BC547



**9** LS ◇LS1: TV3



**START:**



**SELECT:**

