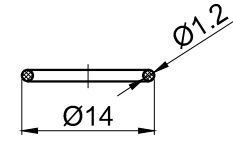
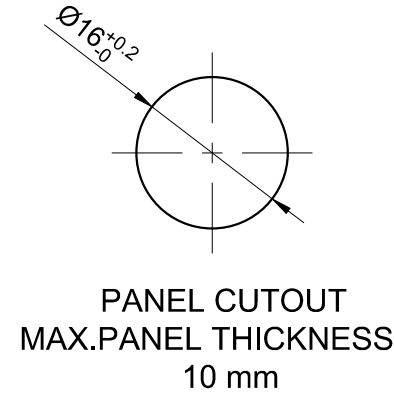
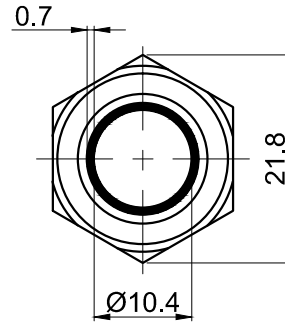
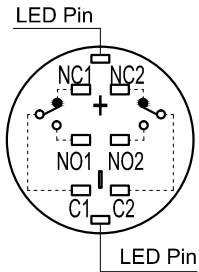


The shaded part is illuminated



Seal Ring



Contact Composition

"□"	Contact structure	"■"	Operation mode	"△"	Lamp Color	"▲"	Lamp Voltage	"◎"	Crust material
11	1NO1NC	No Letter	Momentary	R	Red	6V	AC/DC 6V	S	Stainless steel
22	2NO2NC	Z	Latching	G	Green	12V	AC/DC 12V	A	Al alloy(black)
				Y	Yellow	24V	AC/DC 24V	N	Nickel Plated Brass
				B	Blue	110V	AC/DC 110V	"☆"	IP Class
				W	White	220V	AC/DC 220V	No Letter	IP40
						Other voltage can be made to order		P	IP65
								FP	IP67

Part Number: LAS2GQF-□■E/△/▲/◎/☆

SPECIFICATIONS:

1. Switch Rating: AC250V/0.5A, DC110V/0.1A.
2. Mechanical Life: ≥1,000,000cycles.
3. Electrical Life: ≥50,000cycles.
4. Contact Resistance: ≤50mΩ.
5. Insulation Resistance: ≥1,000MΩ.
6. Dielectric Strength: 1,500V, RMS 50Hz, 1min.
7. Operating Temperature: -25°C~ +55°C(No Freezing).
8. Operating Force: About 1.2~1.8N(1NO1NC), About 1.4~2N(2NO2NC).
9. Operating Travel: About 2.3mm.
10. Torque: About 0.6Nm max.applied to nut.
11. Protection degree: IP40/IP65/IP67;IK09.
12. Terminal Type: Pin Terminal(1.8 x 0.4mm), LED Pin(1.8 x 0.3mm).

MATERIALS:

1. Contact: Silver alloy.
2. Button: ◎.
3. Body: ◎.
4. Base: PA.

BRAND 品牌 ONPOW		红波按钮制造有限公司 ONPOW PUSH BUTTON MANUFACTURE CO.,LTD.	
THESE DRAWINGS AND SPECIFICATIONS ARE THE PROPERTY OF ONPOW PUSH BUTTON MANUFACTURE CO.,LTD. AND SHALL NOT BE REPRODUCED COPIED OR USED IN ANY MANNER WITHOUT THE PRIOR WRITTEN CONSENT OF ONPOW PUSH BUTTON MANUFACTURE CO.,LTD.		USED 用途 APPD 审核 CH 2019/09/04	FINISH 处理 CHKD 校对 NCH 2019/09/04
SCALE 比例 1.2 / 1 UNIT 单位 mm	DR. 制图 ZPD 2019/09/04	TITLE 名称 GQ Series Anti-vandal push button	
DIMENSIONS TOLERANCE 0.00 TO 18.00mm ±0.43mm 18.01 TO 30.00mm ±0.52mm 30.01 TO 50.00mm ±0.62mm 50.01 TO 80.00mm ±0.74mm	DWG NO. 图号 LAS2GQF-E FILE NAME 档案名称 LAS2GQF带灯.DWG	SHEET 张 1 / 1	SIZE 图纸 A4 REV. 更改 1