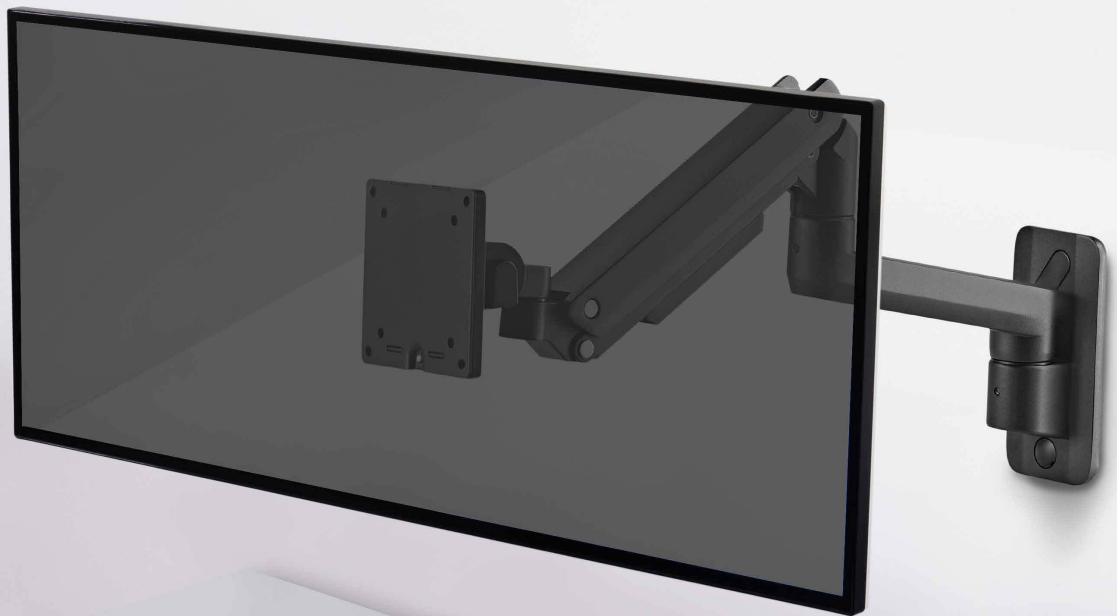




LogiLink®

Alumium Monitor Wall Mount
with Gas Spring
for 17-49" Flat & Curved Monitor

Art. No.: BP0169



Space-Saving Design for Home/Office

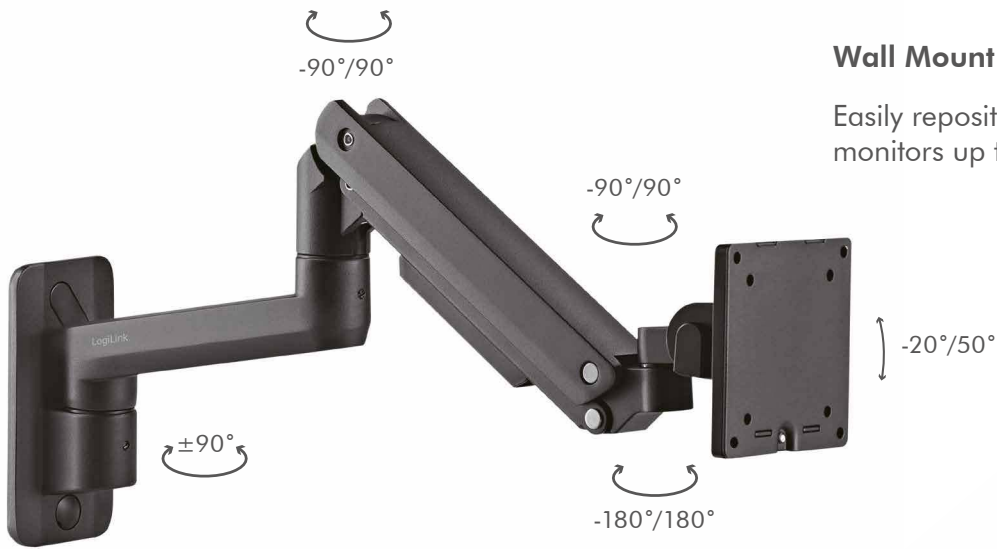
This Heavy-duty Monitor Wall Mount with Gas Spring Arm is great for saving desk space and increasing work comfort. Built-in gas springs for smooth movement; constructed with durable steel and aluminum to support monitor up to 49". Perfect to use in offices and homes.



*The specifications and pictures are subject to change without prior notice.
*All trade names referenced are the registered trademarks of their respective owners.

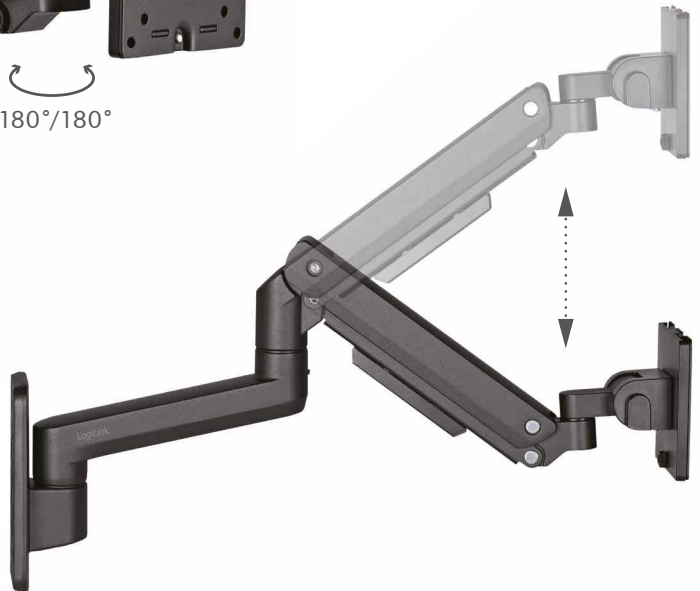


Made in China



Wall Mount for Large Monitors

Easily reposition large curved/flat monitors up to 49".



Smooth & Flexible Adjustment

Built-in gas spring mechanism offers exceptional range of motion to effortlessly swivel and tilt to your desired position.

Quick & Easy Installation

Detachable VESA plate design with top-side installation provides a seamless setup above the desk surface.



Durable & Steady Construction

The high-quality mount ensures durability and stability; supporting monitor weights up to 20 kg. Integrated cable management creates a clean and tidy appearance.



*The specifications and pictures are subject to change without prior notice.
*All trade names referenced are the registered trademarks of their respective owners.



Made in China

Specifications:

Screen Size	17-49"
Weight Capacity	Up to 20 kg
VESA Compatible	75x75, 100x100
Arm Full Extension	42.4 cm
Tilt Range	+50°/-20°
Swivel Range	+90°/-90°
Screen Rotation	+180°/-180°
Materials	Aluminum, steel, plastic
Installation Methods	Wall mount
Dimensions	11.6 x 54.7 x 48 cm

Package Contents:

- » 1 x Monitor Wall Mount
- » 1 x Screw Package
- » 1 x User Manual

Package Information:

- » Packing Dimension: 418 x 195 x 110 mm
- » Packing Weight: 3.8 kg
- » Carton Dimension: 435 x 410 x 240 mm
- » Carton Q'ty: 4 pcs
- » Carton Weight: 16 kg

