

**Applications**

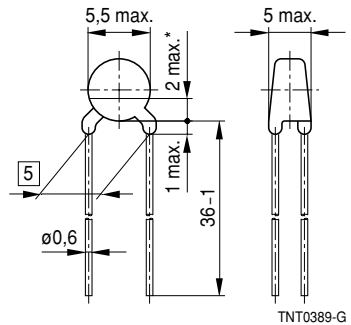
- Temperature compensation
- Temperature measurement
- Temperature control

**Features**

- Wide resistance range
- Cost-effective
- Lacquer-coated thermistor disk
- Tinned copper leads
- Lead spacing 5,0 mm
- Marked with resistance and tolerance

**Delivery mode**

Bulk (standard),  
cardboard tape, reeled or in Ammo pack



\*May be free of lacquer

Dimensions in mm  
Approx. weight 0,4 g

|  |                  |                     |      |
|--|------------------|---------------------|------|
| Climatic category (IEC 60068-1)        |                  | 55/125/21           |      |
| Max. power at 25 °C                    | $P_{25}$         | 450                 | mW   |
| Resistance tolerance                   | $\Delta R_N/R_N$ | $\pm 5\%, \pm 10\%$ |      |
| Rated temperature                      | $T_N$            | 25                  | °C   |
| B value tolerance                      | $\Delta B/B$     | $\pm 3\%$           |      |
| Dissipation factor (in air)            | $\delta_{th}$    | approx. 7,5         | mW/K |
| Thermal cooling time constant (in air) | $\tau_c$         | approx. 20          | s    |
| Heat capacity                          | $C_{th}$         | approx. 150         | mJ/K |

| $R_{25}$ | No. of R/T characteristic | $B_{25/100}$ | Ordering code   |
|----------|---------------------------|--------------|-----------------|
| $\Omega$ |                           | K            |                 |
| 15       | 1203                      | 2900         | B57164K0150+000 |
| 22       | 1203                      | 2900         | B57164K0220+000 |
| 33       | 1203                      | 2900         | B57164K0330+000 |
| 47       | 1302                      | 3000         | B57164K0470+000 |
| 68       | 1303                      | 3050         | B57164K0680+000 |
| 100      | 1305                      | 3200         | B57164K0101+000 |
| 150      | 1305                      | 3200         | B57164K0151+000 |
| 220      | 1305                      | 3200         | B57164K0221+000 |
| 330      | 1306                      | 3450         | B57164K0331+000 |
| 470      | 1306                      | 3450         | B57164K0471+000 |

| $R_{25}$ | No. of $R/T$ characteristic | $B_{25/100}$ | Ordering code   |
|----------|-----------------------------|--------------|-----------------|
| $\Omega$ |                             | K            |                 |
| 1 k      | 1011                        | 3730         | B57164K0102+000 |
| 1,5 k    | 1013                        | 3900         | B57164K0152+000 |
| 2,2 k    | 1013                        | 3900         | B57164K0222+000 |
| 3,3 k    | 4001                        | 3950         | B57164K0332+000 |
| 4,7 k    | 4001                        | 3950         | B57164K0472+000 |
| 6,8 k    | 2903                        | 4200         | B57164K0682+000 |
| 10 k     | 2904                        | 4300         | B57164K0103+000 |
| 15 k     | 1014                        | 4250         | B57164K0153+000 |
| 22 k     | 1012                        | 4300         | B57164K0223+000 |
| 33 k     | 1012                        | 4300         | B57164K0333+000 |
| 47 k     | 4003                        | 4450         | B57164K0473+000 |
| 68 k     | 2005                        | 4600         | B57164K0683+000 |
| 100 k    | 2005                        | 4600         | B57164K0104+000 |
| 150 k    | 2005                        | 4600         | B57164K0154+000 |
| 220 k    | 2007                        | 4830         | B57164K0224+000 |
| 330 k    | 2006                        | 5000         | B57164K0334+000 |
| 470 k    | 2006                        | 5000         | B57164K0474+000 |

+: J for  $\Delta R_N/R_N = \pm 5\%$

K for  $\Delta R_N/R_N = \pm 10\%$

### Reliability data

| Test                                  | Standard       | Test conditions   | $\Delta R_{25}/R_{25}$ (typ.) | Remarks           |
|---------------------------------------|----------------|---|-------------------------------|-------------------|
| Storage in dry heat                   | IEC 60068-2-2  | Storage at upper category temperature $T: 125\text{ }^\circ\text{C}$<br>$t: 1000\text{ h}$  | < 3 %                         | No visible damage |
| Storage in damp heat, steady state    | IEC 60068-2-3  | Temperature of air: $40\text{ }^\circ\text{C}$<br>Relative humidity of air: 93 %<br>Duration: 21 days                               | < 3 %                         | No visible damage |
| Rapid temperature cycling             | IEC 60068-2-14 | Lower test temperature: $-55\text{ }^\circ\text{C}$<br>Upper test temperature: $125\text{ }^\circ\text{C}$<br>Number of cycles: 100 | < 3 %                         | No visible damage |
| Endurance                             |                | $P_{\max}: 450\text{ mW}$<br>$t: 1000\text{ h}$   | < 3 %                         | No visible damage |
| Long-term stability (empirical value) |                | Temperature: $125\text{ }^\circ\text{C}$<br>$t: 10\ 000\text{ h}$   | < 5 %                         | No visible damage |

**Herausgegeben von EPCOS AG**

**Unternehmenskommunikation, Postfach 80 17 09, 81617 München, DEUTSCHLAND**

**☎ ++49 89 636 09, FAX (0 89) 636-2 26 89**

© EPCOS AG 2002. Vervielfältigung, Veröffentlichung, Verbreitung und Verwertung dieser Broschüre und ihres Inhalts ohne ausdrückliche Genehmigung der EPCOS AG nicht gestattet.

Bestellungen unterliegen den vom ZVEI empfohlenen Allgemeinen Lieferbedingungen für Erzeugnisse und Leistungen der Elektroindustrie, soweit nichts anderes vereinbart wird.

Diese Broschüre ersetzt die vorige Ausgabe.

Fragen über Technik, Preise und Liefermöglichkeiten richten Sie bitte an den Ihnen nächstgelegenen Vertrieb der EPCOS AG oder an unsere Vertriebsgesellschaften im Ausland. Bauelemente können aufgrund technischer Erfordernisse Gefahrstoffe enthalten. Auskünfte darüber bitten wir unter Angabe des betreffenden Typs ebenfalls über die zuständige Vertriebsgesellschaft einzuholen.

**Published by EPCOS AG**

**Corporate Communications, P.O. Box 80 17 09, 81617 Munich, GERMANY**

**☎ ++49 89 636 09, FAX (0 89) 636-2 26 89**

© EPCOS AG 2002. Reproduction, publication and dissemination of this brochure and the information contained therein without EPCOS' prior express consent is prohibited.

Purchase orders are subject to the General Conditions for the Supply of Products and Services of the Electrical and Electronics Industry recommended by the ZVEI (German Electrical and Electronic Manufacturers' Association), unless otherwise agreed.

This brochure replaces the previous edition.

For questions on technology, prices and delivery please contact the Sales Offices of EPCOS AG or the international Representatives.

Due to technical requirements components may contain dangerous substances. For information on the type in question please also contact one of our Sales Offices.