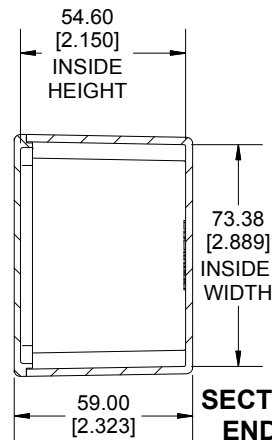
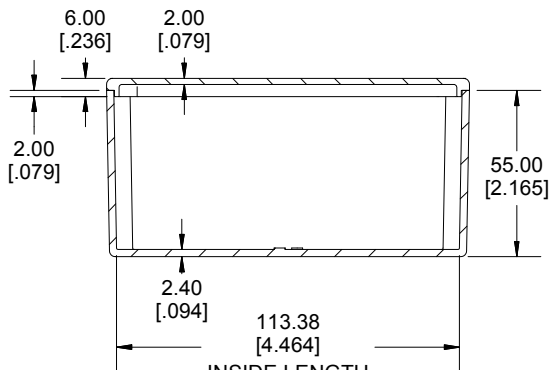


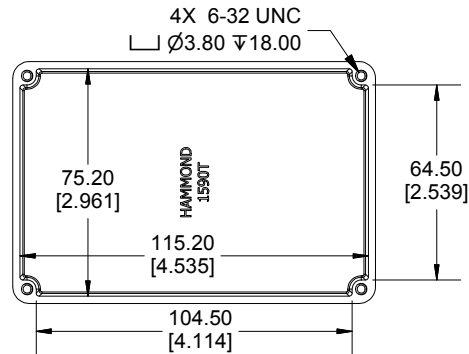
**TOP VIEW**



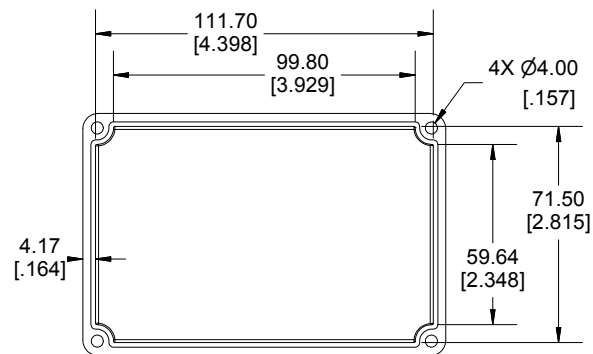
**SECTION A-A  
END VIEW**



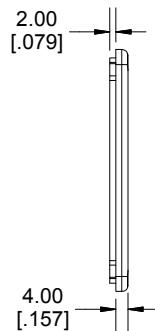
**SECTION B-B  
SIDE VIEW**



**INSIDE BOX**



**INSIDE LID**



Enclosures can be Factory Modified ( Milling, Drilling, Printing etc.)  
 Contact Factory [njmj@hammondmfg.com](mailto:njmj@hammondmfg.com) for quotes  
 Solid models of this enclosure available in STEP or IGES.  
 (Part number and text placement/orientation on our products are subject to change,  
 we do not recommend using them as a locating reference for modification purposes)

**NOTE**

Purchased assembly includes box, lid and 4 cover screws.  
 Box and lid are made from Diecast Aluminum Alloy.  
 Silicone Gasket supplied with liquid resistant enclosure.

**Recommended Torque : 50-55 cN.m [71-78 ozf.in]**

**Recommended Torque with Gasket : 25-30 cN.m [36-43 ozf.in]**

**PART NUMBERS**

**1590T Enclosure**

|   |          |
|---|----------|
| Natural Finish Enclosure                                  | 1590T    |
| Black Textured Enclosure                                  | 1590TBK  |
| <b>1590T Liquid Resistant Enclosure (Silicone Gasket)</b> |          |
| Natural Finish Enclosure                                  | 1590WT   |
| Black Textured Enclosure                                  | 1590WTBK |

**ACCESSORIES**

**Liquid Resistant Cover Screws**

|   |              |
|---|--------------|
| Stainless Steel Cover Screws (Pkg 100)<br>[6-32 x 1/2" With O-Ring]       | 1590WMS100   |
| Black Stainless Steel Cover Screws (Pkg 100)<br>[6-32 x 1/2" With O-Ring] | 1590WMS100BK |
| <b>Standard Cover Screws</b>  |              |
| Plated Cover Screws (Pkg 100)<br>[6-32 x 1/2"]                            | 1590MS100    |
| Black Cover Screws (Pkg 100)<br>[6-32 x 1/2"]                             | 1590MS100BK  |

**HAMMOND  
MANUFACTURING®**

**1590T**

[www.hammondmfg.com](http://www.hammondmfg.com)

Dimensions:  
mm  
[inches]