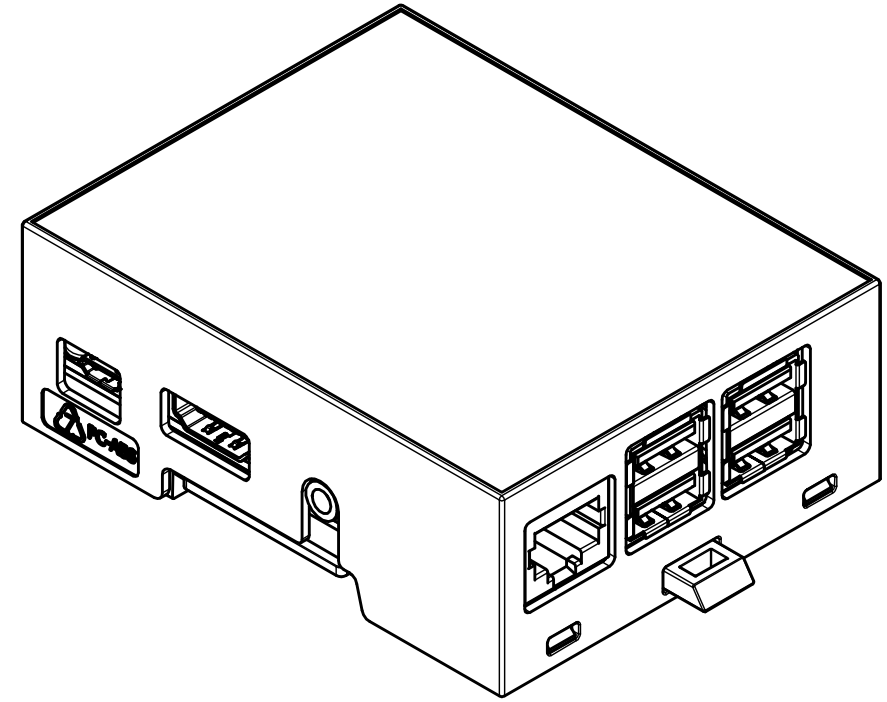
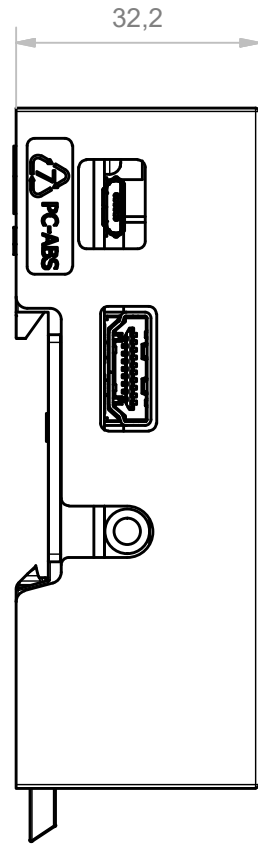
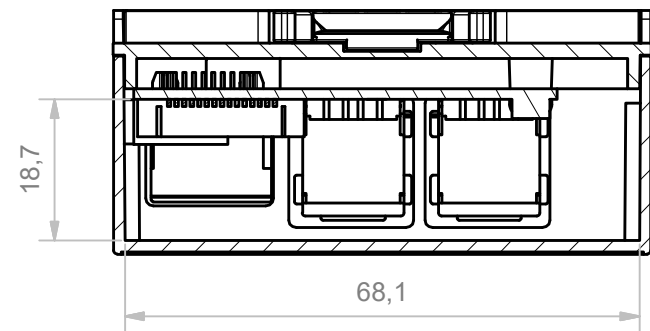


A-A (1:1)



RIF.	Q.TY	DESCRIPTION	CODE
1	1	HOOK MODULBOX LONG	M-01900
2	1	BASE 4M XT RASPBERRY B+/A+/ODROID	M-05556
3	2	SCREW 2.9X6.5 d TRUNC	PM10012021
4	1	BODY 4MC33-C XTS COMPACT RASPBERRY Pi3	M-06574

RESERVED PROPERTY: The present drawing cannot be reproduced or communicated to 3d parties, even partially, without the authorization of ITALTRONIC Srl. Italtronic reserves to protect its own rights according to the law.

5 4 3 2 1

GENERAL TOLERANCE	<b>UNI EN 22768/1 Media (m)</b>	Drawn:	Checked:	Revision description
SHEET NR.	Dimension in mm	DRAWING BY	Rigato N.	Dalla Montà D.
1 / 1		 Manual modification are not allowed	Date: 29/03/2016	Replace nr.
			Part number:	Scale: 1 : 1

 UN PARTNER PER IL FUTURO PLASTIC+ Italtronic	Denomination:	KIT 4M XTS COMPACT RASPBERRY PI3
	 <b>ITALTRONIC S.R.L.</b> VIA AUSTRIA 25/D 35127 PADOVA - ITALY <a href="http://www.italtronic.com">www.italtronic.com</a>	Drawing nr. <b>M-06755-00</b>