

Best. Nr. 441 992

**LED Holder for 3mm LEDs
10pcs pack**



Specification

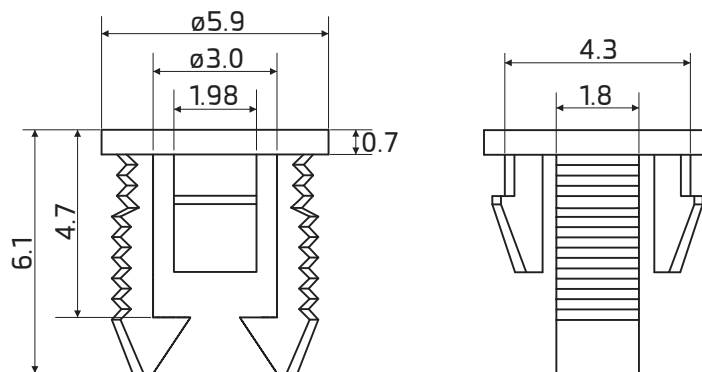
Material: Nylon 66

Flammability: 94V-2

Color: Black

Hole in chassis: ø4.5mm

Chassis thickness: 1.0 ~ 1.2mm



Dimension: mm±0.2