

SPECIFICATION:

Operating Current (Nom.): 1 A
 Operating Temperature: -40°C to 70°C
 Insulation Resistance (Min.): 500 MΩ
 Contact Resistance (Max.): 30 mΩ
 Dielectric Strength: 500 Vac

MATERIAL:

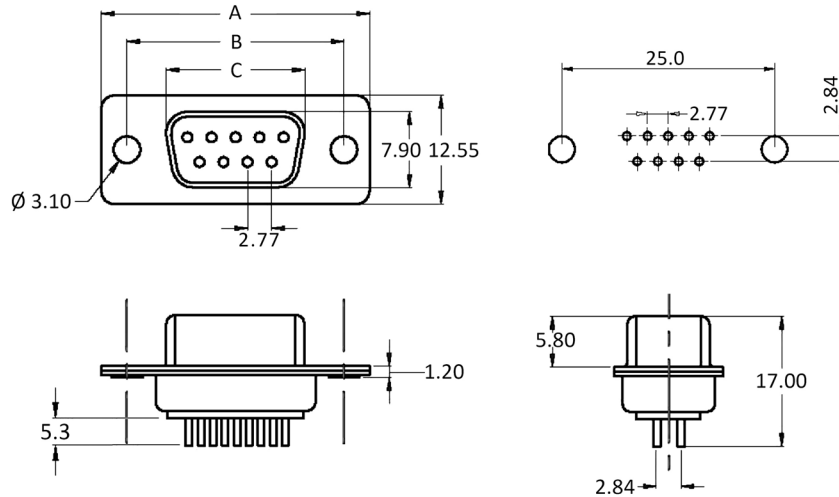
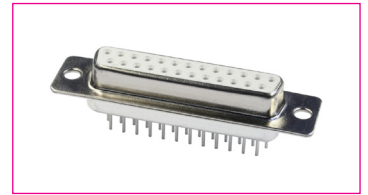
Material (Terminal): brass, tin plated
 Material (Housing): steel, front nickel plated and back tin plated
 Flammability Class: UL 94 V-0
 Material (Insulation): PBT
 Material (Contact Area): brass, gold plated

HANDLING:

Packaging: tray

TOLERANCE:

.X: ± 0.20
 .XX: ± 0.10



Dimensions

Number of Contacts:	A:	B:	C:
9	30.85	25	16.4
15	39.25	33.35	24.7
25	53.1	47.04	38.52
37	69.4	63.5	54.85

Order Information

Identifier:	No. of Contacts:	Version:	Shell:
BU	#	P	V
D-Sub Female	9: 9 poles	solder pins	tin plated
	15: 15 poles		
	25: 25 poles		
	37: 37 poles		