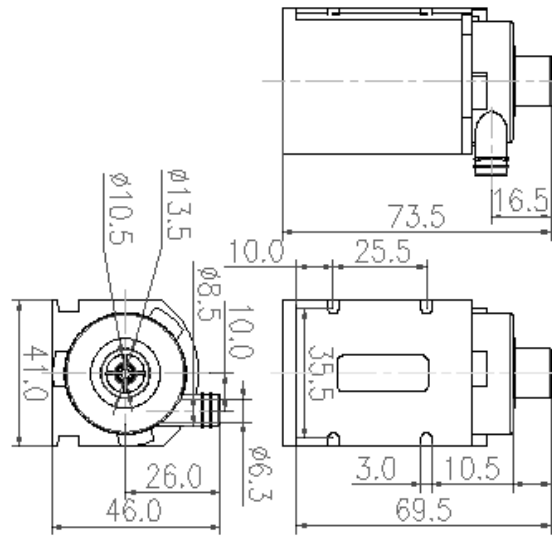
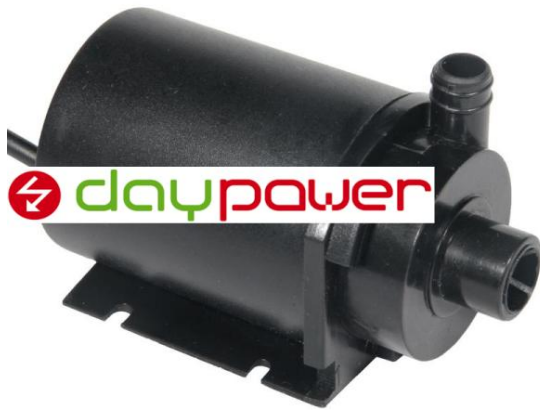


Miniatur-Wasserpumpe WP-3802



Product parameter								
Working Voltage Range			DC: 6V-24V					
Rating Power			6V: 2-12W/12V: 3-18W/24V: 5-25W					
Static Water Head			1-7 M					
Static Flow Rate			5-9 L/min					
Lifespan			Continuous operation under normal surrounding >20000Hr					
Working Environment			Liquid: From weak acid to weak base, workable in water (Submerged)					
Max Noise			Under normal working status, 1M distance over test instrument <40dB					
Max Working Temperature			Under normal surroundings, fluid medium temperature $\leq 70^{\circ}\text{C}$					
Application			Medical kit cold hot compress cycle, Small fountain, Aquarium, etc.					
Size			IP Grade	Inlet		Outlet		Remark
Length (mm)	Width (mm)	Height (mm)		OD (mm)	ID (mm)	OD (mm)	ID (mm)	
46	41	73.5	IP68	$\phi 13.5$	$\phi 10.5$	$\phi 8.8$	$\phi 6.3$	Outlet with footgrip

Characteristic Graph

