

REVISION RECORD			
REV	ECN	DESCRIPTION	DRFT DATE

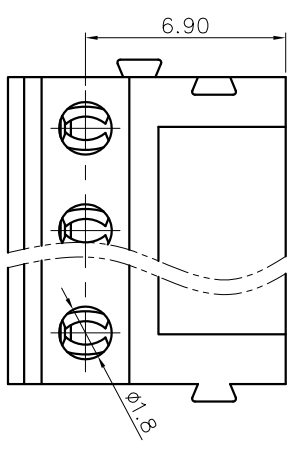
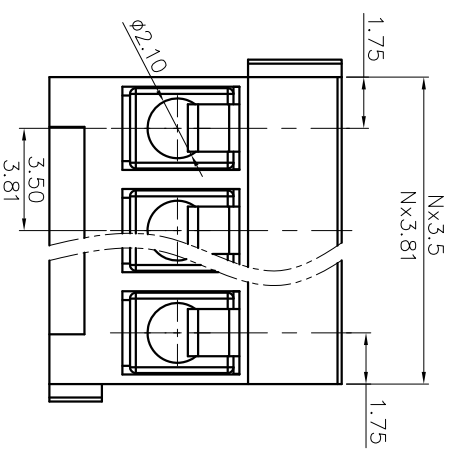
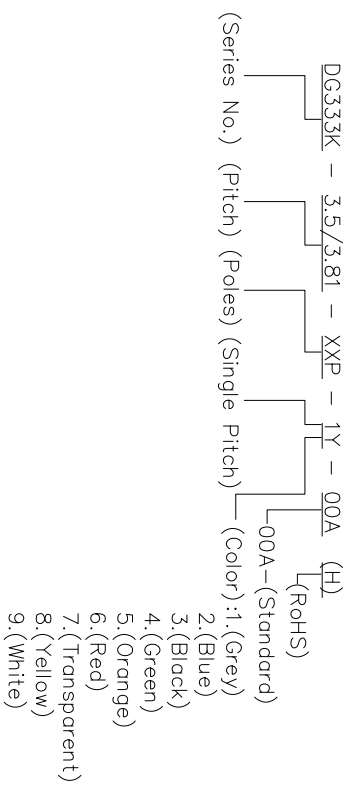
NOTES1:  
 UL Standard  
 1. Rated voltage/current : 300V / 8A  
 2. Torque value : M2 , 1.77Lb.in  
 3. Wire range : 28~16AWG

IEC Standard  
 1. Rated voltage/current : 250V / 10A  
 2. Torque value : M2 , 0.20N·m  
 3. Wire range : 0.2~1.0mm<sup>2</sup>

NOTES2:  
 1. Dimension shall be interpreted per ASME Y14.5-2009  
 2. Pitch : 3.5/3.81mm, Poles : N=02~24P  
 3. Stripping length : 4~5mm  
 4. Withstanding voltage : AC2000V/1Min  
 5. Operating temperature : -30°C~+120°C  
 6. Undimensioned tolerances:

Pitch range in mm	Nominal dimension range in mm	Over	Over	Over	Over	Over	Over
TO	TO	TO	TO	TO	TO	TO	TO
6	10	24	30	60	100	150	±2
±0.15	±0.20	±0.30	±0.50	±0.70	±1.00	±1.50	±2

7. RoHS Compliance



DETACHED LISTS			
PART NO.:	/	NAME:	<b>DEGSON</b> NINGBO DEGSON ELECTRICAL CO., LTD 宁波高松电子有限公司
APPD:	2	TITLE:	CUSTOMER DRAWING
CHKD:	3	DRAWING NO.:	/
DRFT:	4	REV	DO
THIRD ANGLE PROJECTION		SHEET	1/1
		DO NOT SCALE DRAWING	SCALE 1:1

A 8 7 6 5 4 3 2 1