

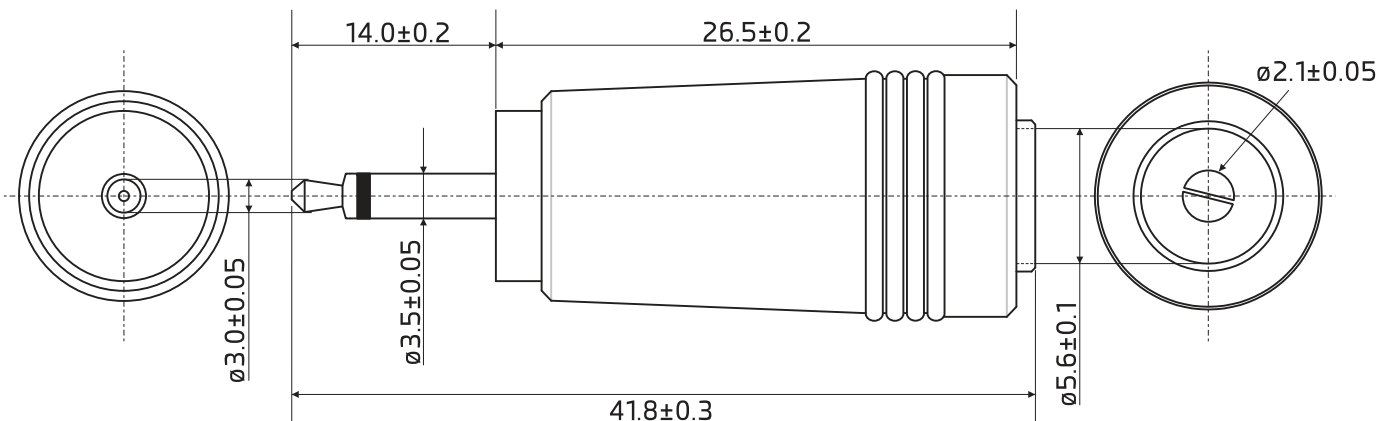
**DC Barrel Adaptor,  
5.5/2.1 mm to 3.5 mm Mono plug**



**Specification**

**Material**

Inner insulator: PE, Transparent  
Outer insulator: PVC, Black  
Contact: Brass, Nickel plated  
Current rating: 2A  
Voltage rating: 12 Vdc  
Connector resistance: 30 mΩ max.  
Insulation resistance: 100 MΩ min.  
Operation temperature: -20°C ~ 70°C



Dimension: mm