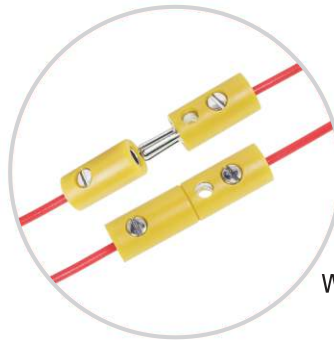
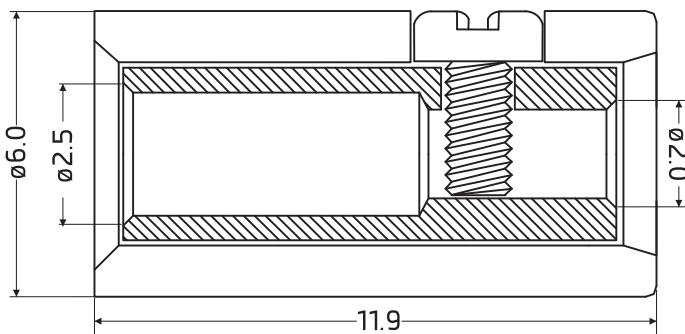


Best. Nr. 451 442

### Miniature Connector, 2.6mm Female Jack, Yellow color 10pcs pack



Wire cross section: 0.5-1.5 mm<sup>2</sup>



#### Specification

Insulator material: ABS  
Contact material: Copper  
Plating: Nickel  
Voltage rating: 30 V/DC  
Current rating: 2A  
Contact resistance: 5mΩ max.  
Insulation resistance: 100MΩ min.  
Operating temperature: -10°C to 85°C

