



Click object to rotate

BLACK MultiConnect

Dielectric feed Twin LNB

IDLB-TWNL20-MULTI-OPP

This innovative LNB was specifically designed for installations that make use of several LNBs on a satellite dish antenna. It's novel slim feed technology incorporating advanced dielectric materials and optimum front end design ensure maximum energy transfer from the dish to the LNB circuits also when the LNB position is off the focal point. Further more, it's long neck allows placing the LNBs closely next to each other and gain access to satellites typically too close in their orbital position to be received with standard neck LNBs on a certain satellite dish antenna. This LNB enables the reception of signal from one satellite and its distribution to up-to two single tuner Set-top box (or 1 in the case of a twin- tuner STB).

Dielectric
23mm

Main Features

- Novel slim feed technology
- Low Phase Noise, DVB-S2 (HDTV) compliant
- Low Noise Figure
- Low power consumption
- High Cross-Pole performance
- High Frequency stability

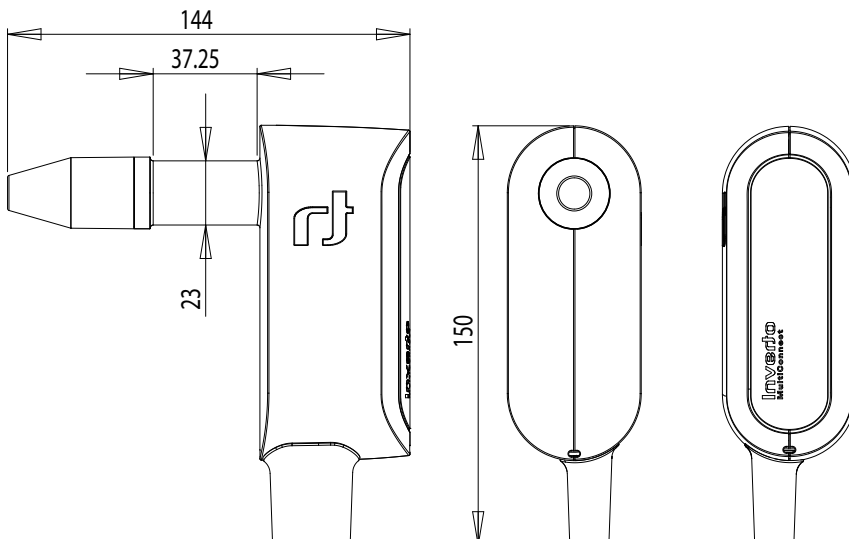
MultiConnect LNB series:

IDLB-SINL20-MULTI-OPP	Dielectric Single 23mm LNB
IDLB-TWNL20-MULTI-OPP	Dielectric Twin 23mm LNB
IDLB-QUDL20-MULTI-OPP	Dielectric Quad 23mm LNB
IDLB-QUTL20-MULTI-OPP	Dielectric Quattro 23mm LNB

Technical Specifications

IDLB-TWNL20-MULTI-OPP

Low Band Input Frequency Range	10.7~11.7 GHz
Low Band Output Frequency Range	950~1950 MHz
LO Frequency	9.75 GHz
High Band Input Frequency Range	11.7~12.75 GHz
High Band Output Frequency Range	1100~2150 MHz
LO Frequency	10.6 GHz
Noise Figure	0.2dB typ. (0.7dB max.)
LO Initial Accuracy	+/- 1.0 MHz max.
LO Temperature Drift	+/- 3.0 MHz max.
LO Phase Noise @ 10K Hz	-90 dBc/Hz max.
Conversion Gain	60 dB min.
Gain Ripple	+/- 0.75 dB/27MHz
Gain Variation	+/- 4 dB
Image Rejection	40 dB min.
1 dB Compression Point (O/P)	0.0 dBm min.
Cross talk	23dB min.
Control Signals Ca [V]	11.0~14.0 V
Control Signals Cb [H]	16.0~20.0 V
Control Signals Cc [Band switching]	22KHz +/- 4KHz 0.4V – 0.8V pp
Output VSWR	2.0 : 1
Radiated Interference	-60 dBm max.
DC Power	180mA max. @ 11 – 20V
Working Temperature	-30~+60 °C
Output Impedance (connect to STB)	75Ω
Output connector	F-type (female)
Weight	181 g



For purpose of brevity, some product descriptions in this sheet remain at platform level and may not be referred to as detailed datasheets of the products. Inverto Digital Labs reserves the right to amend, omit or add products, product-lines, and/ or features without notice.