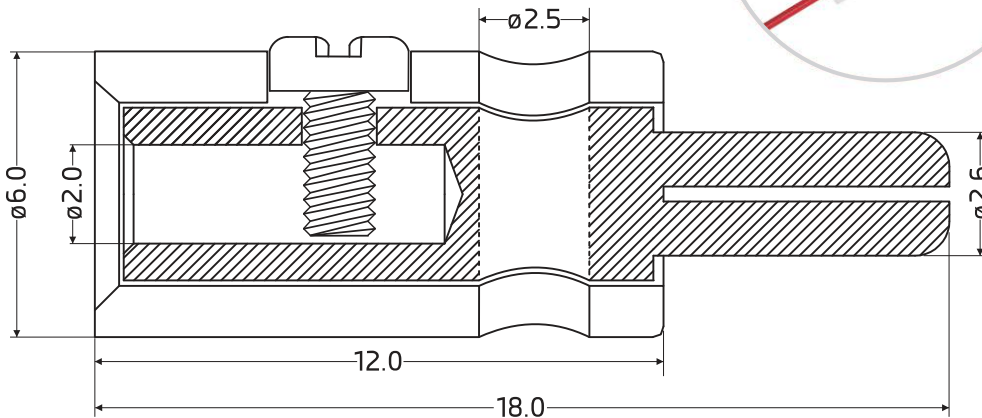


Best. Nr. 451 437

Miniature Connector, 2.6mm Male Plug, White color 10pcs pack



Wire cross section: 0.5-1.5 mm²

Specification

Insulator material: ABS
Contact material: Copper
Plating: Nickel
Voltage rating: 30 V/DC
Current rating: 2A
Contact resistance: 5mΩ max.
Insulation resistance: 100MΩ min.
Operating temperature: -10°C to 85°C

B/N. 450872
Red



B/N. 451439
Black



B/N. 451438
Blue



B/N. 450879
Green



B/N. 451436
Yellow



B/N. 451440
Orange



B/N. 450881
Grey



B/N. 450878
Brown

