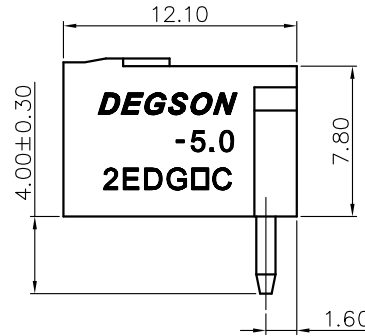
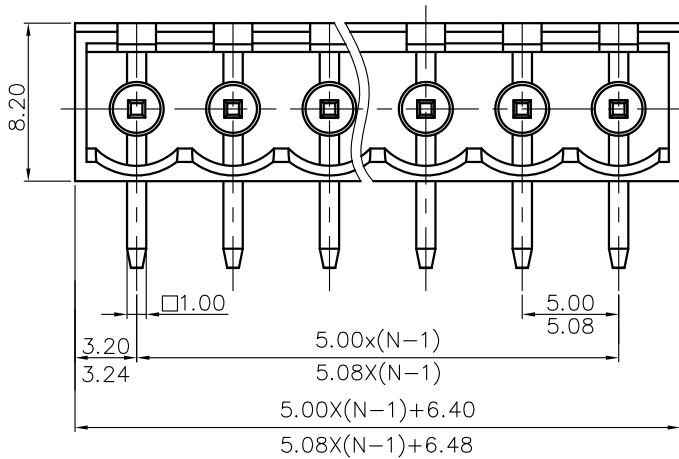
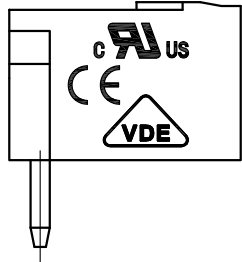


| REVISION RECORD | | | | |
|-----------------|-----|-------------|------|------|
| REV | ECN | DESCRIPTION | DRFT | DATE |
| | | | | |



NOTES1:

UL Standard

1. Rated voltage/current : 300V / 15A
2. Withstanding voltage : AC1600V/1Min.

IEC Standard

A 1.

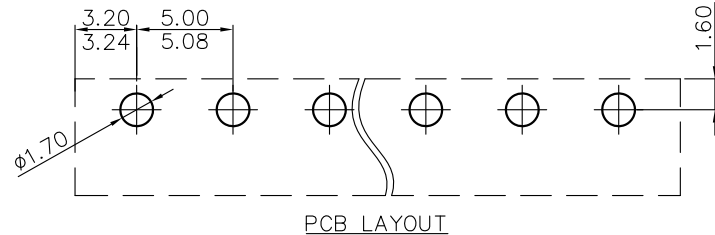
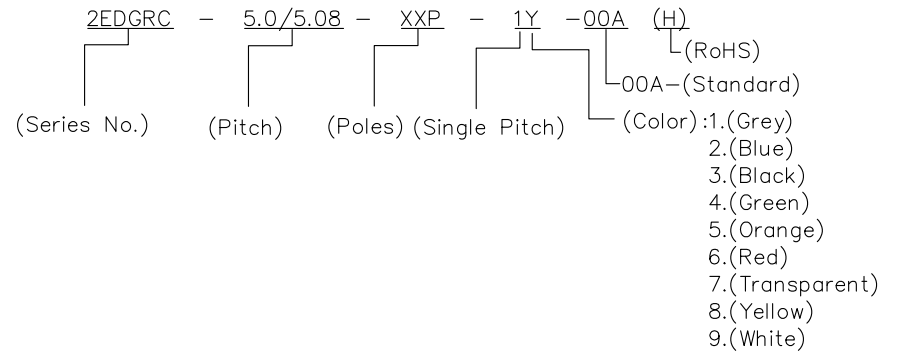
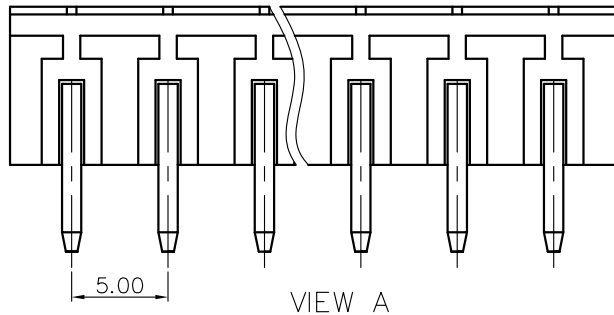
| | |
|--------------------------|-------|
| Pollution degree | 2 |
| Overtoltage category | III |
| Rate impulse voltage(KV) | 4.0KV |
| Rate voltage(V) | 320V |
| Rate current(A) | 20A |

NOTES2:

1. Dimension shall be interpreted per ASME Y14.5-2009
2. Pitch : 5.00/5.08mm, Poles : N=02~24P
3. Operating temperature: -40°C~+105°C
4. Undimensioned tolerances:

| Pitch range in mm | | Nominal dimension range in mm | | | | 0.1/10 |
|-------------------|-------|-------------------------------|-------|-------|-------|--------|
| To | Over | To | Over | To | Over | |
| 6 | 6 | 10 | 30 | 60 | 100 | ±2' |
| ±0.15 | ±0.20 | ±0.30 | ±0.30 | ±0.50 | ±0.70 | |
| | | | | ±1.00 | ±1.30 | |

5. RoHS Compliance



| | | | | | |
|------------------------|-----------|---|----------------------|-------|-----|
| DETACHED LISTS | PART NO.: | 宁波高松电子有限公司 DEGSON NINGBO DEGSON ELECTRICAL CO., LTD | | | |
| | APPD: | NAME: 2EDGRC-5.0/5.08-XXP-1Y-00A(H) | | | |
| | CHKD: | TITLE: CUSTOMER DRAWING | | REV | DO |
| | DRFT: | DRAWING NO.: | | SHEET | 1/1 |
| THIRD ANGLE PROJECTION | | MM (INCH) | DO NOT SCALE DRAWING | SCALE | 1:1 |