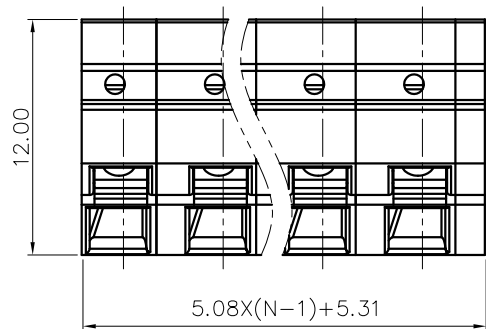


REVISION RECORD				
REV	ECN	DESCRIPTION	DRFT	DATE



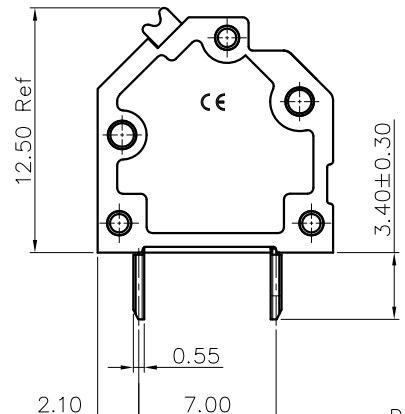
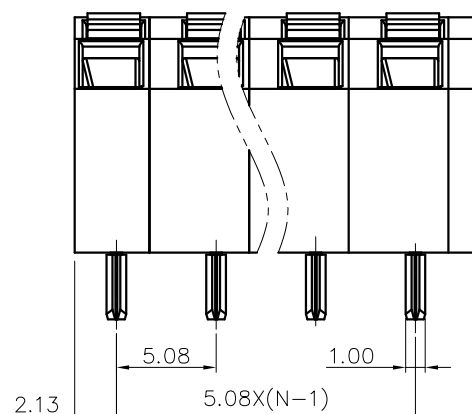
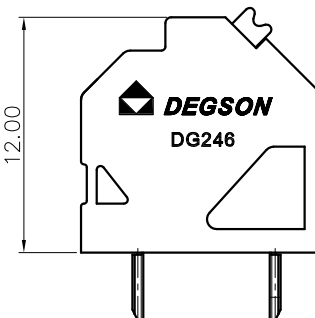
NOTES1:
 UL Standard
 1. Rated voltage/current : 300V / 10A
 2. Withstanding voltage : AC1600V/1Min.
 3. Wire range : 26~16AWG
 IEC Standard

1. Pollution Degree	2	2	3
Overvoltage Category	II	III	III
Rate Impulse Voltage(KV)	4.0KV	4.0KV	4.0KV
Rate Voltage(V)	630V	320V	250V
Rate Current(A)	9A		

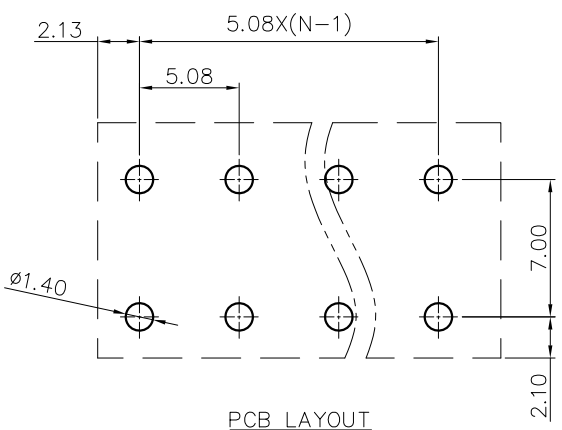
2. Wire range : 0.2~1.5mm²
 NOTES2:
 1. Dimension shall be interpreted per ASME Y14.5-2009
 2. Pitch : 5.08mm, Poles : N=02~XXP
 3. Stripping length : 10mm
 4. Operating temperature: -40°C~+105°C
 5. Undimensioned tolerances:

Pitch range in mm		Nominal dimension range in mm				0.1/10
TO	TO	TO	TO	TO		
6	10	30	60	100	150	±2*
±0.15	±0.20	±0.30	±0.50	±0.70	±1.00	
±0.30	±0.30	±0.50	±0.70	±1.00	±1.30	

6. RoHS Compliance



DG246 - 5.08 - XXP - 1Y - 00A (H)
 (Series No.) (Pitch) (Poles) (Single Pitch) (Color): 1.(Grey) 2.(Blue) 3.(Black) 4.(Green) 5.(Orange) 6.(Red) 7.(Transparent) 8.(Yellow) 9.(White)
 (RoHS)
 00A-(Standard)



DETACHED LISTS	PART NO.:	/			
	APPD:	/			
	CHKD:	/			
	DRFT:	/			
		宁波高松电子有限公司 NINGBO DEGSON ELECTRICAL CO., LTD			
		NAME: DG246-5.08-XXP-1Y-00A(H)			
		TITLE: CUSTOMER DRAWING	REV	DO	
		DRAWING NO.:	SHEET	1/1	
		THIRD ANGLE PROJECTION	SCALE	1:1	

DO NOT SCALE DRAWING
 MM (INCH)
 SCALE 1:1