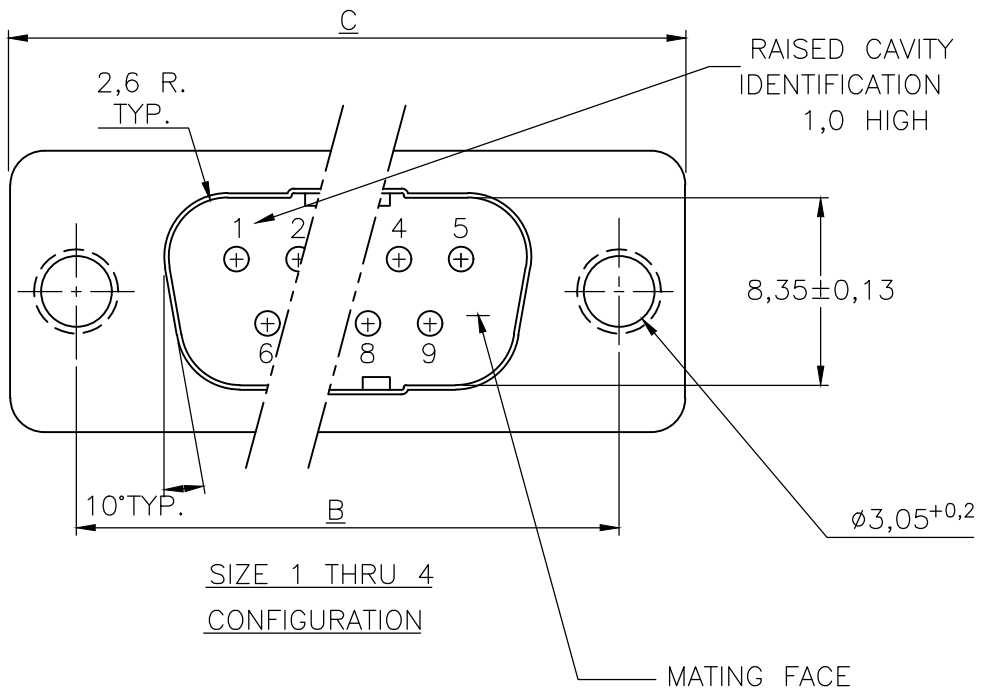


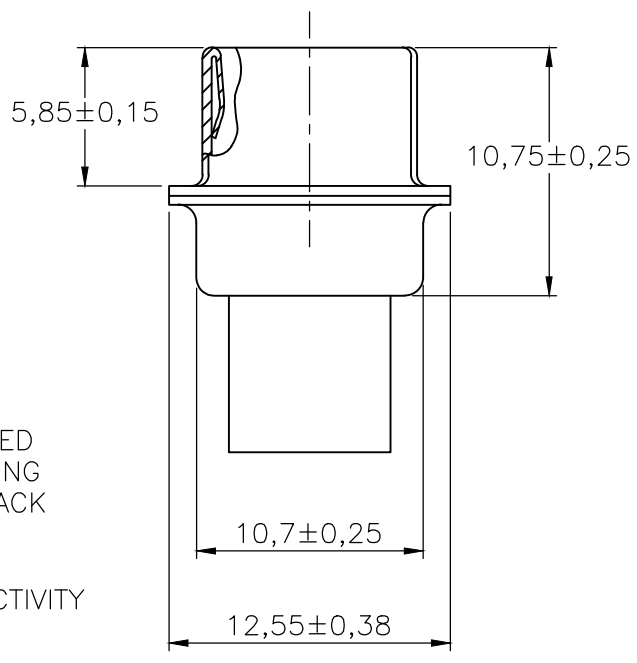
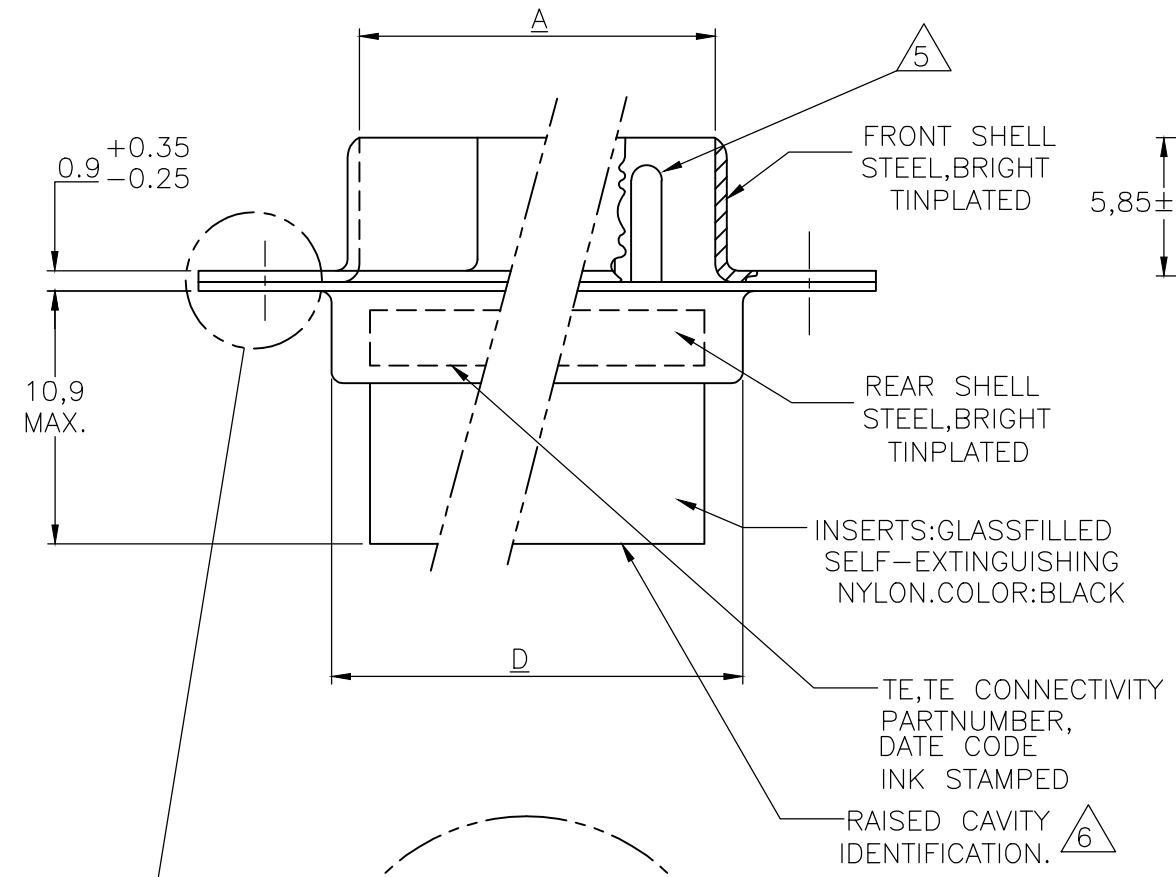
THIS DRAWING IS UNPUBLISHED. RELEASED FOR PUBLICATION  
 © COPYRIGHT - By - ALL RIGHTS RESERVED.

LOC	DIST	REVISIONS				
P	LTR	DESCRIPTION	DATE	DWN	APVD	
H	-	R	REVISED PER ECO-18-001571	08FEB2018	AP	DG



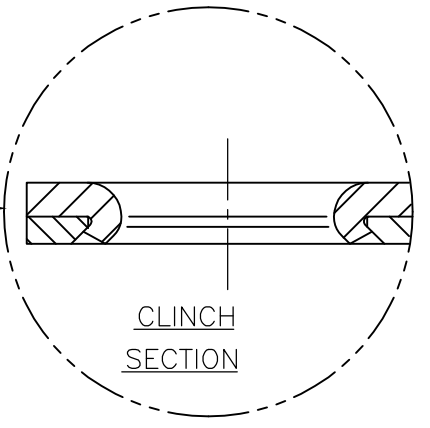
NOTES:

- THIS PLUG ACCEPTS SIZE 20 PIN CONTACTS.
  - MAXIMUM WIRE INSULATION RECOMMENDED FOR USE WITH THIS PLUG IS 1,73 DIA. MAX..
  - RETENTION TINES ARE AN INTEGRAL PART OF INSERT.
  - FOLLOWING INSERTION/REMOVAL TOOLS ARE RECOMMENDED FOR USE WITH THESE CONNECTORS:  
 32-28AWG/28-24AWG CONT's  
 91067-3 INSERTION/REMOVAL  
 726363-1 INSERTION ONLY  
 24-20AWG CONTACTS  
 91067-2 INSERTION/REMOVAL  
 726363-1 INSERTION ONLY  
 726364-1 REMOVAL ONLY
- △5 CONTACTS SHOWN FOR ILLUSTRATION ONLY, NO PART OF CONNECTOR PACKAGE ;MUST BE ORDERED SEPARATELY.  
 △6 RAISED CAVITY IDENTIFICATION NUMBERS ON WIRE SIDE ARE WHITENED FOR -9 P/N'S.



D	C	B	A	NR.OF POS	SIZE	ORDER NUMBER
±0,25	±0,38	±0,13	±0,13			
55,3	66,9	61,1	52,9	50	5	<del>167296-9</del> 167296-1
57,7	69,3	63,5	55,4	37	4	<del>167295-9</del> 167295-1 OBSOLETE
41,3	53,0	47,0	39,0	25	3	<del>167294-9</del> 167294-1
27,5	39,1	33,3	25,3	15	2	<del>167293-9</del> 167293-1
19,3	30,8	25,0	16,9	9	1	<del>167292-9</del> 167292-1

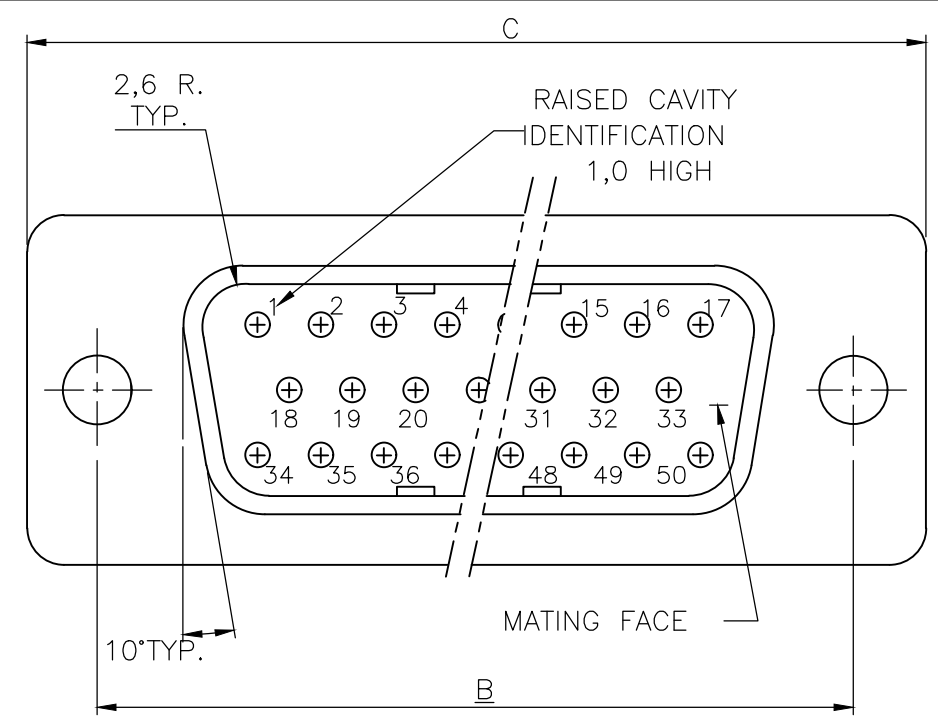
FOR DETAILS SIZE 5, SEE SHEET 2.



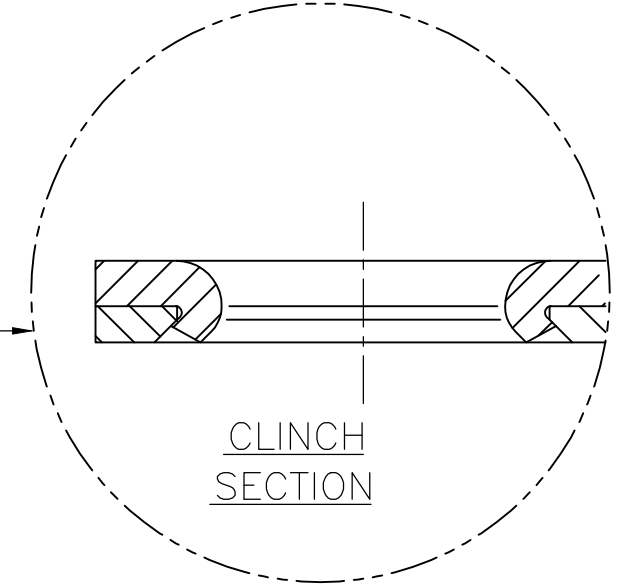
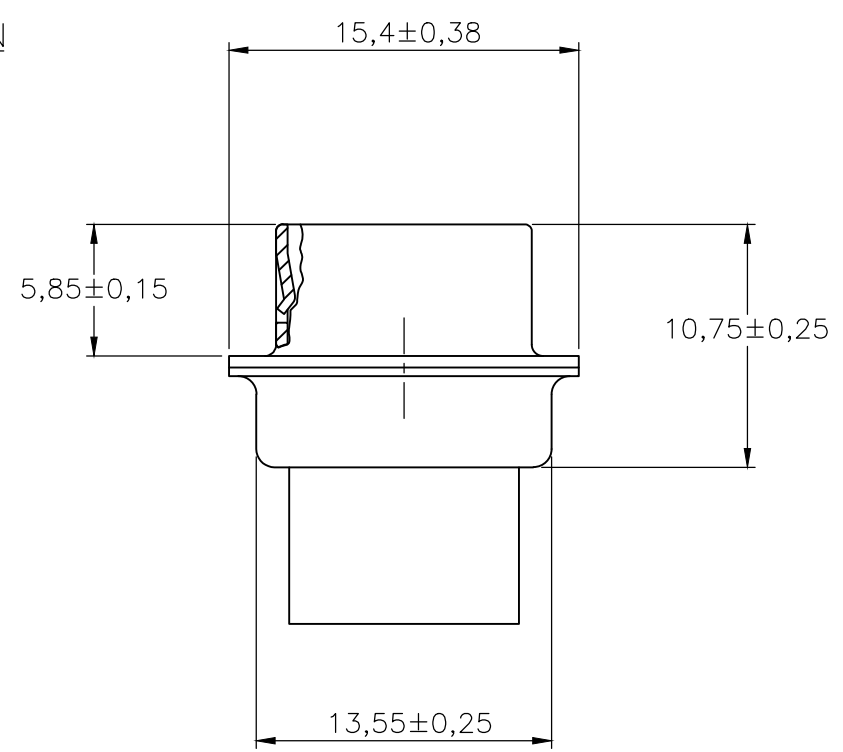
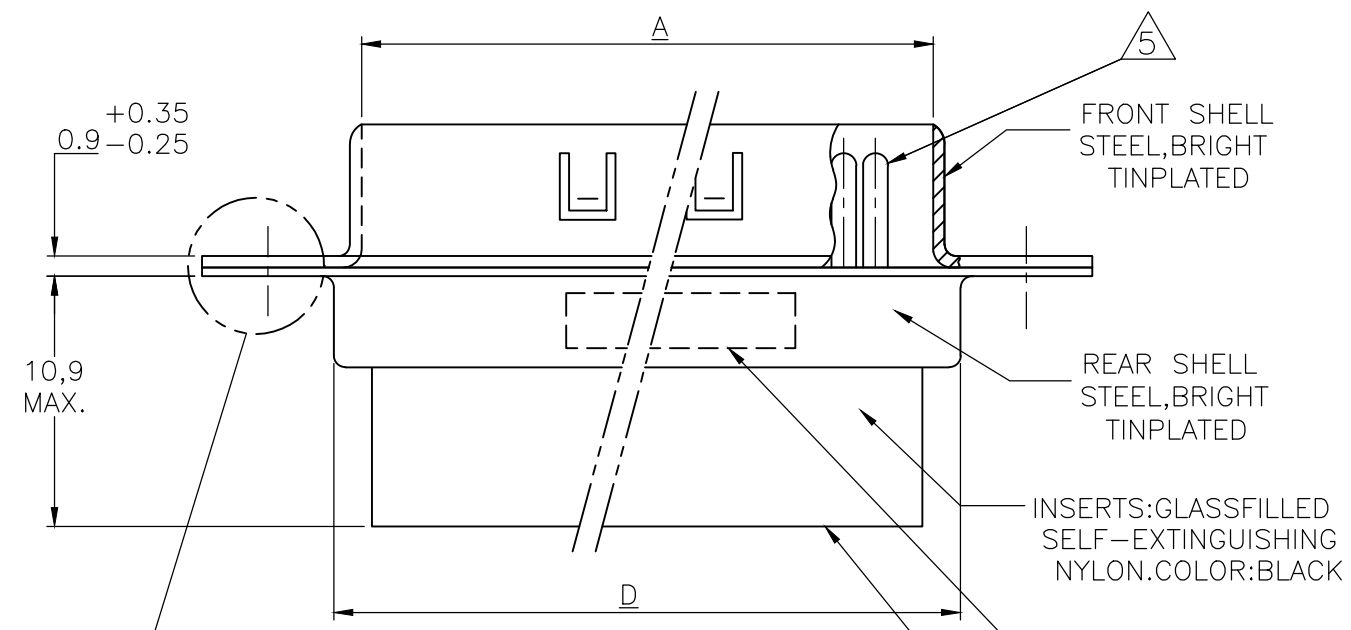
THIS DRAWING IS A CONTROLLED DOCUMENT.		DWN B.MOOIJ 20NOV87	TE Connectivity NAME HDP-20 PLUG CONNECTOR, SIZE 1-4	
DIMENSIONS: mm		CHK -		
TOLERANCES UNLESS OTHERWISE SPECIFIED:		APVD -	PRODUCT SPEC APPLICATION SPEC SIZE CAGE CODE DRAWING NO RESTRICTED TO A3 00779 C-167292	
0 PLC ± -		PRODUCT SPEC -		
1 PLC ± 0,2		APVD -	WEIGHT CUSTOMER DRAWING SCALE NTS SHEET 1 OF 2 REV R	
2 PLC ± -		PRODUCT SPEC -		
3 PLC ± -		APVD -		
4 PLC ± -		PRODUCT SPEC -		
ANGLES ± 2°		APVD -		
FINISH -		PRODUCT SPEC -		

THIS DRAWING IS UNPUBLISHED. RELEASED FOR PUBLICATION  
 © COPYRIGHT - By - ALL RIGHTS RESERVED.

LOC	DIST	REVISIONS			
P	LTR	DESCRIPTION	DATE	DWN	APVD
H	-	SEE SHEET 1	-	-	-



SIZE 5  
CONFIGURATION



TE,TE CONNECTIVITY PARTNUMBER, DATE CODE INK STAMPED  
 RAISED CAVITY IDENTIFICATION.  $\triangle$  6

THIS DRAWING IS A CONTROLLED DOCUMENT.		DWN B.MOOIJ 20NOV87	<b>TE Connectivity</b>		
DIMENSIONS: mm		CHK -			
TOLERANCES UNLESS OTHERWISE SPECIFIED:		APVD -	NAME		
0 PLC ± -		PRODUCT SPEC -			
1 PLC ± 0,2		APPLICATION SPEC -	HDP-20 PLUG CONNECTOR, SIZE 5		
2 PLC ± -		WEIGHT -			
3 PLC ± -		SIZE	CAGE CODE	DRAWING NO	RESTRICTED TO
4 PLC ± -		A3	00779	C-167292	-
ANGLES ± 2°		CUSTOMER DRAWING		SCALE	SHEET
FINISH -		CUSTOMER DRAWING		NTS	2 OF 2
MATERIAL -		CUSTOMER DRAWING		REV	R