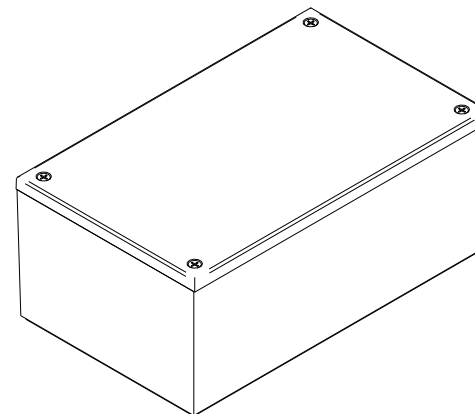
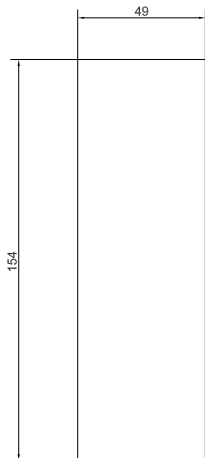


PCB MAX SIZE



	Description Assembly CP/3	Part Number CP/3
	Subject to technical modification without prior notice. Tipograficall and other errors do not justify any claim for damages. All dimensions should be verified using an actual moulded part.	
	Date 14/12/2005	Size A1