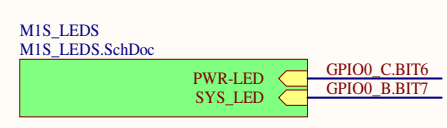
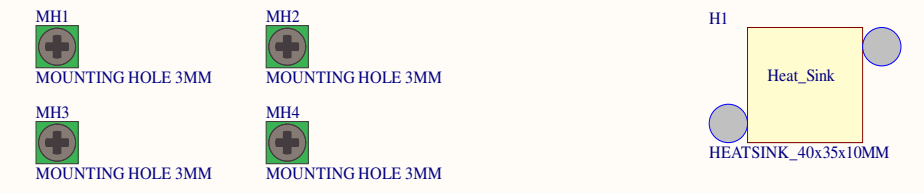
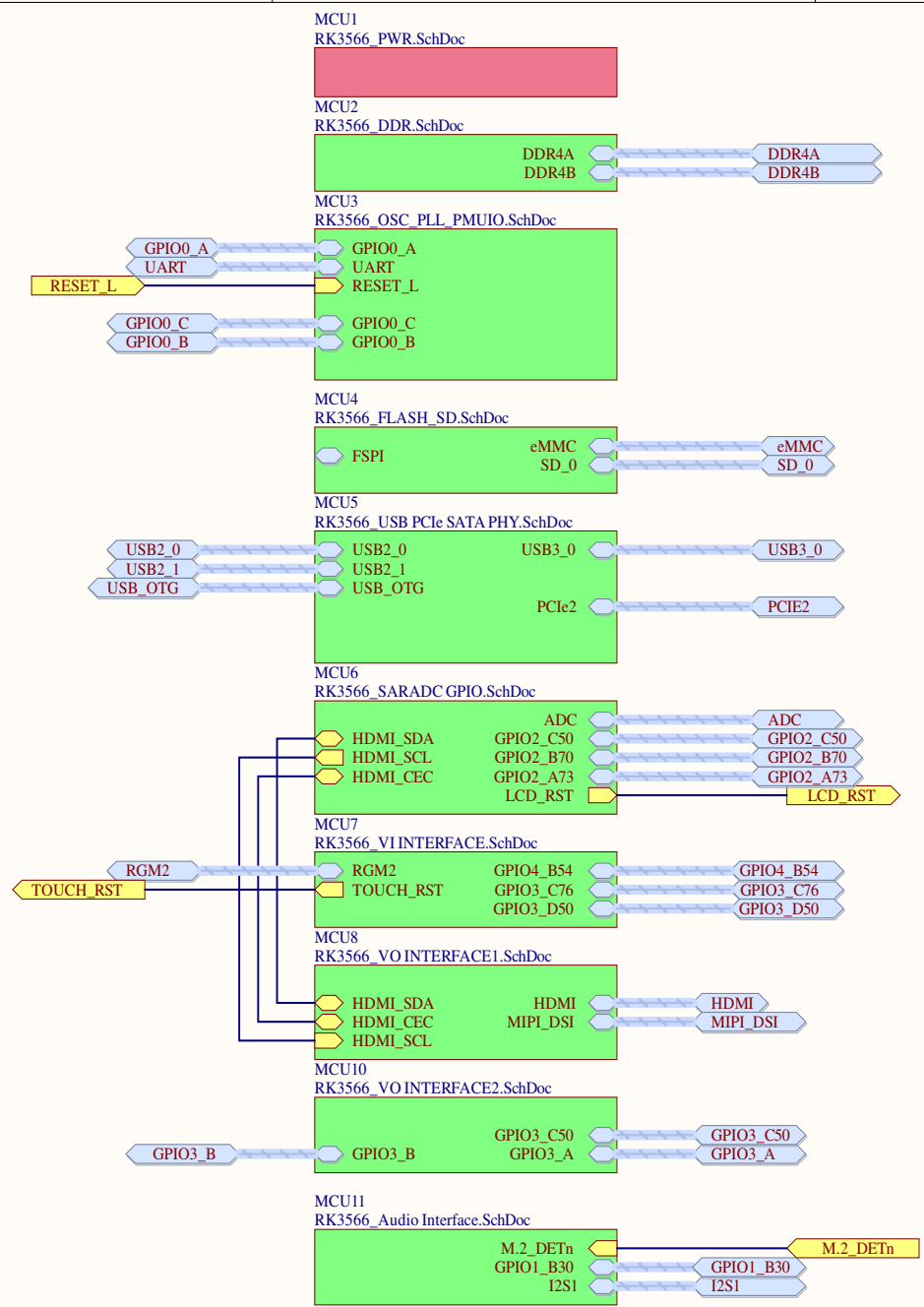


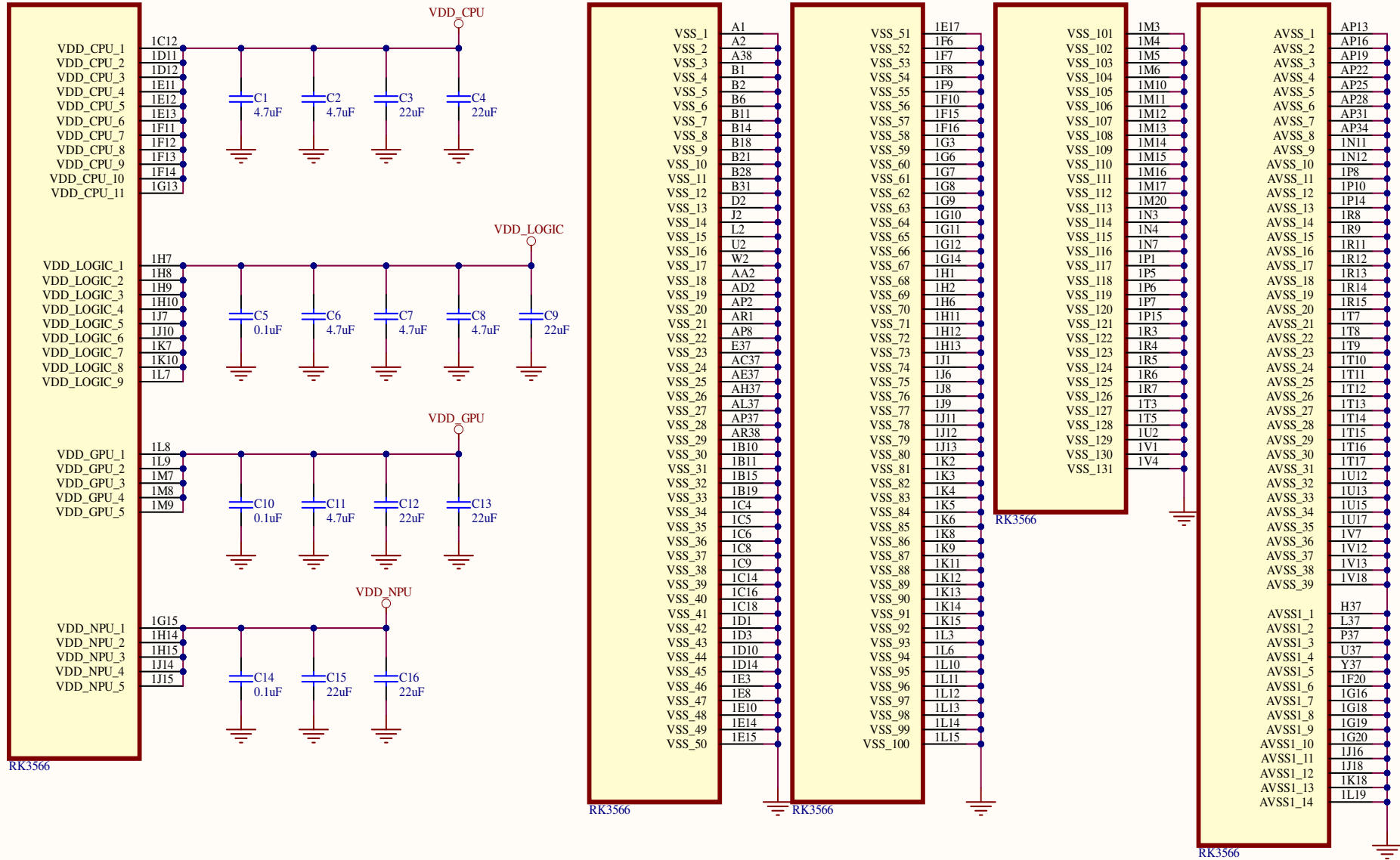
Mounting Holes





Title MCURK3568		Hardkernel Co.,LTD. 475-1 Mananro Manangu, Anyang City Gyeonggido South Korea		
Size: A4	Number: 2	Revision: 0.1		
Date: 2023-10-16	Time: 오후 3:23:19	Sheet 2 of 41		
File: RK3566.SchDoc			Designed by: ruppi kim@hardkernel.com	

RK3566_ABCDE (Power&Gnd)



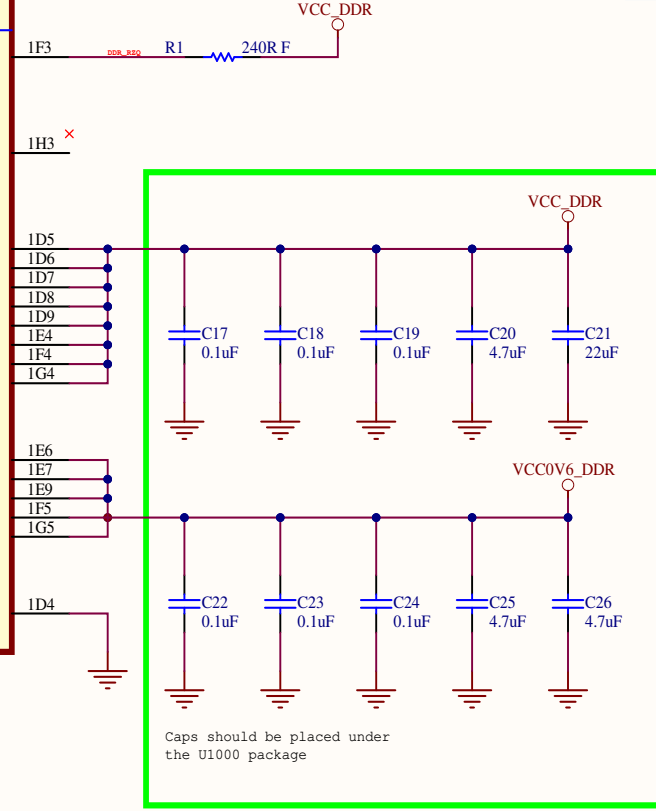
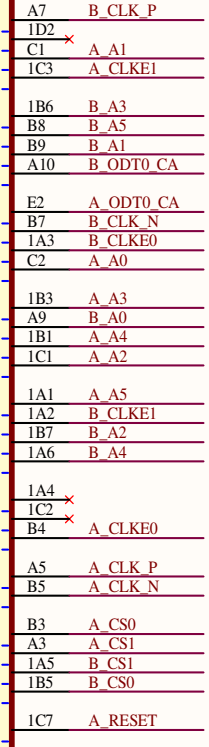
Title RK3566 POWER/GND			Hardkernel Co.,LTD. 475-1 Mananro Manangu, Anyang City Gyeonggido South Korea	ODROID
Size: A4	Number: 3	Revision: 1.0		
Date: 2023-10-16	Time: 오후 3:23:19	Sheet 3 of 41	Designed by: ruppi.kim@hardkernel.com	
File: RK3566_PWR.SchDoc				

RK3568_F (DDR PHY)

	DDR4	LPDDR4	DDR3	LPDDR3	DDR4	LPDDR4	DDR3	LPDDR3
A_DQ0 G2	DDR_DQ0_A / DDR4_DQ0_A	/ LPDDR4_DQ0_A	/ DDR3_DQ0	/ LPDDR3_DQ15	DDR4_A0	/ LPDDR4_CLKP_B	/ DDR3_A9	/ --- / AC0
A_DQ1 F2	DDR_DQ1_A / DDR4_DQ1_A	/ LPDDR4_DQ1_A	/ DDR3_DQ1	/ LPDDR3_DQ14	DDR4_A1	/ LPDDR4_CLKN_B	/ DDR3_A8	/ --- / AC1
A_DQ2 F1	DDR_DQ2_A / DDR4_DQ2_A	/ LPDDR4_DQ2_A	/ DDR3_DQ2	/ LPDDR3_DQ10	DDR4_A2	/ LPDDR4_CHE0_A	/ DDR3_A7	/ --- / AC2
A_DQ3 E1	DDR_DQ3_A / DDR4_DQ3_A	/ LPDDR4_DQ3_A	/ DDR3_DQ3	/ LPDDR3_DQ9	DDR4_A3	/ LPDDR4_CHE1_A	/ DDR3_A6	/ --- / AC3
A_DQ4 M2	DDR_DQ4_A / DDR4_DQ4_A	/ LPDDR4_DQ4_A	/ DDR3_DQ4	/ LPDDR3_DQ13	DDR4_A4	/ LPDDR4_CHE2_A	/ DDR3_A5	/ --- / AC4
A_DQ5 K1	DDR_DQ5_A / DDR4_DQ5_A	/ LPDDR4_DQ5_A	/ DDR3_DQ5	/ LPDDR3_DQ12	DDR4_A5	/ LPDDR4_CHE3_A	/ DDR3_A4	/ --- / AC5
A_DQ6 K2	DDR_DQ6_A / DDR4_DQ6_A	/ LPDDR4_DQ6_A	/ DDR3_DQ6	/ LPDDR3_DQ11	DDR4_A6	/ LPDDR4_CHE4_A	/ DDR3_A3	/ --- / AC6
A_DQ7 IE1	DDR_DQ7_A / DDR4_DQ7_A	/ LPDDR4_DQ7_A	/ DDR3_DQ7	/ LPDDR3_DQ11	DDR4_A7	/ LPDDR4_CHE5_A	/ DDR3_A2	/ --- / AC7
A_DM0 IE2	DDR_DM0_A / DDR4_DMI_A	/ LPDDR4_DM0_A	/ DDR3_DM0	/ LPDDR3_DM1	DDR4_A8	/ LPDDR4_CHE6_A	/ DDR3_A1	/ --- / AC8
A_DQS0_P H2	DDR_DQS0P_A / DDR4_DQS0_P_A	/ LPDDR4_DQS0P_A	/ DDR3_DQS0P	/ LPDDR3_DQS1P	DDR4_A9	/ LPDDR4_CHE7_A	/ DDR3_A0	/ --- / AC9
A_DQS0_N H1	DDR_DQS0N_A / DDR4_DQS0_N_A	/ LPDDR4_DQS0N_A	/ DDR3_DQS0N	/ LPDDR3_DQS1N	DDR4_A10	/ LPDDR4_CHE8_A	/ DDR3_A15	/ --- / AC10
A_DQ8 P2	DDR_DQ8_A / DDR4_DQ8_A	/ LPDDR4_DQ8_A	/ DDR3_DQ8	/ LPDDR3_DQ25	DDR4_A11	/ LPDDR4_CHE9_A	/ DDR3_A14	/ --- / AC11
A_DQ9 R1	DDR_DQ9_A / DDR4_DQ9_A	/ LPDDR4_DQ9_A	/ DDR3_DQ9	/ LPDDR3_DQ24	DDR4_A12	/ LPDDR4_CHE10_A	/ DDR3_A13	/ --- / AC12
A_DQ10 R2	DDR_DQ10_A / DDR4_DQ10_A	/ LPDDR4_DQ10_A	/ DDR3_DQ10	/ LPDDR3_DQ28	DDR4_A13	/ LPDDR4_CHE11_A	/ DDR3_A12	/ --- / AC13
A_DQ11 T2	DDR_DQ11_A / DDR4_DQ11_A	/ LPDDR4_DQ11_A	/ DDR3_DQ11	/ LPDDR3_DQ27	DDR4_A14	/ LPDDR4_CHE12_A	/ DDR3_A11	/ --- / AC14
A_DQ12 M1	DDR_DQ12_A / DDR4_DQ12_A	/ LPDDR4_DQ12_A	/ DDR3_DQ12	/ LPDDR3_DQ26	DDR4_A15	/ LPDDR4_CHE13_A	/ DDR3_A10	/ --- / AC15
A_DQ13 IF2	DDR_DQ13_A / DDR4_DQ13_A	/ LPDDR4_DQ13_A	/ DDR3_DQ13	/ LPDDR3_DQ31	DDR4_A16	/ LPDDR4_CHE14_A	/ DDR3_A9	/ --- / AC16
A_DQ14 IF1	DDR_DQ14_A / DDR4_DQ14_A	/ LPDDR4_DQ14_A	/ DDR3_DQ14	/ LPDDR3_DQ30	DDR4_A17	/ LPDDR4_CHE15_A	/ DDR3_A8	/ --- / AC17
A_DQ15 IG2	DDR_DQ15_A / DDR4_DQ15_A	/ LPDDR4_DQ15_A	/ DDR3_DQ15	/ LPDDR3_DQ29	DDR4_A18	/ LPDDR4_CHE16_A	/ DDR3_A7	/ --- / AC18
A_DM1 IG1	DDR_DM1_A / DDR4_DMI_A	/ LPDDR4_DM1_A	/ DDR3_DM1	/ LPDDR3_DM3	DDR4_A19	/ LPDDR4_CHE17_A	/ DDR3_A6	/ --- / AC19
A_DQS1_P N1	DDR_DQS1P_A / DDR4_DQS1_P_A	/ LPDDR4_DQS1P_A	/ DDR3_DQS1P	/ LPDDR3_DQS3P	DDR4_A20	/ LPDDR4_CHE18_A	/ DDR3_A5	/ --- / AC20
A_DQS1_N N2	DDR_DQS1N_A / DDR4_DQS1_N_A	/ LPDDR4_DQS1N_A	/ DDR3_DQS1N	/ LPDDR3_DQS3N	DDR4_A21	/ LPDDR4_CHE19_A	/ DDR3_A4	/ --- / AC21
B_DQ0 B12	DDR_DQ0_B / DDR4_DQ0_B	/ LPDDR4_DQ0_B	/ DDR3_DQ16	/ LPDDR3_DQ1	DDR4_A22	/ LPDDR4_CHE20_A	/ DDR3_A3	/ --- / AC22
B_DQ1 B10	DDR_DQ1_B / DDR4_DQ1_B	/ LPDDR4_DQ1_B	/ DDR3_DQ17	/ LPDDR3_DQ5	DDR4_A23	/ LPDDR4_CHE21_A	/ DDR3_A2	/ --- / AC23
B_DQ2 IA8	DDR_DQ2_B / DDR4_DQ2_B	/ LPDDR4_DQ2_B	/ DDR3_DQ18	/ LPDDR3_DQ6	DDR4_A24	/ LPDDR4_CHE22_A	/ DDR3_A1	/ --- / AC24
B_DQ3 IA7	DDR_DQ3_B / DDR4_DQ3_B	/ LPDDR4_DQ3_B	/ DDR3_DQ19	/ LPDDR3_DQ4	DDR4_A25	/ LPDDR4_CHE23_A	/ DDR3_A0	/ --- / AC25
B_DQ4 B13	DDR_DQ4_B / DDR4_DQ4_B	/ LPDDR4_DQ4_B	/ DDR3_DQ20	/ LPDDR3_DQ2	DDR4_A26	/ LPDDR4_CHE24_A	/ DDR3_A15	/ --- / AC26
B_DQ5 IA10	DDR_DQ5_B / DDR4_DQ5_B	/ LPDDR4_DQ5_B	/ DDR3_DQ21	/ LPDDR3_DQ3	DDR4_A27	/ LPDDR4_CHE25_A	/ DDR3_A14	/ --- / AC27
B_DQ6 IB9	DDR_DQ6_B / DDR4_DQ6_B	/ LPDDR4_DQ6_B	/ DDR3_DQ22	/ LPDDR3_DQ7	DDR4_A28	/ LPDDR4_CHE26_A	/ DDR3_A13	/ --- / AC28
B_DQ7 IA9	DDR_DQ7_B / DDR4_DQ7_B	/ LPDDR4_DQ7_B	/ DDR3_DQ23	/ LPDDR3_DQ8	DDR4_A29	/ LPDDR4_CHE27_A	/ DDR3_A12	/ --- / AC29
B_DM0 IB8	DDR_DM0_B / DDR4_DMI_B	/ LPDDR4_DM0_B	/ DDR3_DM2	/ LPDDR3_DM0	DDR4_A30	/ LPDDR4_CHE28_A	/ DDR3_A11	/ --- / AC30
B_DQS0_P A13	DDR_DQS0P_B / DDR4_DQS0_P_B	/ LPDDR4_DQS0P_B	/ DDR3_DQS2P	/ LPDDR3_DQS0P	DDR4_A31	/ LPDDR4_CHE29_A	/ DDR3_A10	/ --- / AC31
B_DQS0_N A12	DDR_DQS0N_B / DDR4_DQS0_N_B	/ LPDDR4_DQS0N_B	/ DDR3_DQS2N	/ LPDDR3_DQS0N	DDR4_A32	/ LPDDR4_CHE30_A	/ DDR3_A9	/ --- / AC32
B_DQ8 B19	DDR_DQ8_B / DDR4_DQ8_B	/ LPDDR4_DQ8_B	/ DDR3_DQ24	/ LPDDR3_DQ18_D2	DDR4_A33	/ LPDDR4_CHE31_A	/ DDR3_A8	/ --- / AC33
B_DQ9 A19	DDR_DQ9_B / DDR4_DQ9_B	/ LPDDR4_DQ9_B	/ DDR3_DQ25	/ LPDDR3_DQ19_D3	DDR4_A34	/ LPDDR4_CHE32_A	/ DDR3_A7	/ --- / AC34
B_DQ10 A20	DDR_DQ10_B / DDR4_DQ10_B	/ LPDDR4_DQ10_B	/ DDR3_DQ26	/ LPDDR3_DQ22_D6	DDR4_A35	/ LPDDR4_CHE33_A	/ DDR3_A6	/ --- / AC35
B_DQ11 B20	DDR_DQ11_B / DDR4_DQ11_B	/ LPDDR4_DQ11_B	/ DDR3_DQ27	/ LPDDR3_DQ23_D7	DDR4_A36	/ LPDDR4_CHE34_A	/ DDR3_A5	/ --- / AC36
B_DQ12 A15	DDR_DQ12_B / DDR4_DQ12_B	/ LPDDR4_DQ12_B	/ DDR3_DQ28	/ LPDDR3_DQ16_D4	DDR4_A37	/ LPDDR4_CHE35_A	/ DDR3_A4	/ --- / AC37
B_DQ13 B15	DDR_DQ13_B / DDR4_DQ13_B	/ LPDDR4_DQ13_B	/ DDR3_DQ29	/ LPDDR3_DQ17_D5	DDR4_A38	/ LPDDR4_CHE36_A	/ DDR3_A3	/ --- / AC38
B_DQ14 IC10	DDR_DQ14_B / DDR4_DQ14_B	/ LPDDR4_DQ14_B	/ DDR3_DQ30	/ LPDDR3_DQ20_D1	DDR4_A39	/ LPDDR4_CHE37_A	/ DDR3_A2	/ --- / AC39
B_DQ15 B16	DDR_DQ15_B / DDR4_DQ15_B	/ LPDDR4_DQ15_B	/ DDR3_DQ31	/ LPDDR3_DQ21_D5	DDR4_A40	/ LPDDR4_CHE38_A	/ DDR3_A1	/ --- / AC40
B_DM1 IA11	DDR_DM1_B / DDR4_DMI_B	/ LPDDR4_DM1_B	/ DDR3_DM3	/ LPDDR3_DM2	DDR4_A41	/ LPDDR4_CHE39_A	/ DDR3_A0	/ --- / AC41
B_DQS1_P A17	DDR_DQS1P_B / DDR4_DQS1_P_B	/ LPDDR4_DQS1P_B	/ DDR3_DQS3P	/ LPDDR3_DQS2P	DDR4_A42	/ LPDDR4_CHE40_A	/ DDR3_A15	/ --- / AC42
B_DQS1_N B17	DDR_DQS1N_B / DDR4_DQS1_N_B	/ LPDDR4_DQS1N_B	/ DDR3_DQS3N	/ LPDDR3_DQS2N	DDR4_A43	/ LPDDR4_CHE41_A	/ DDR3_A14	/ --- / AC43

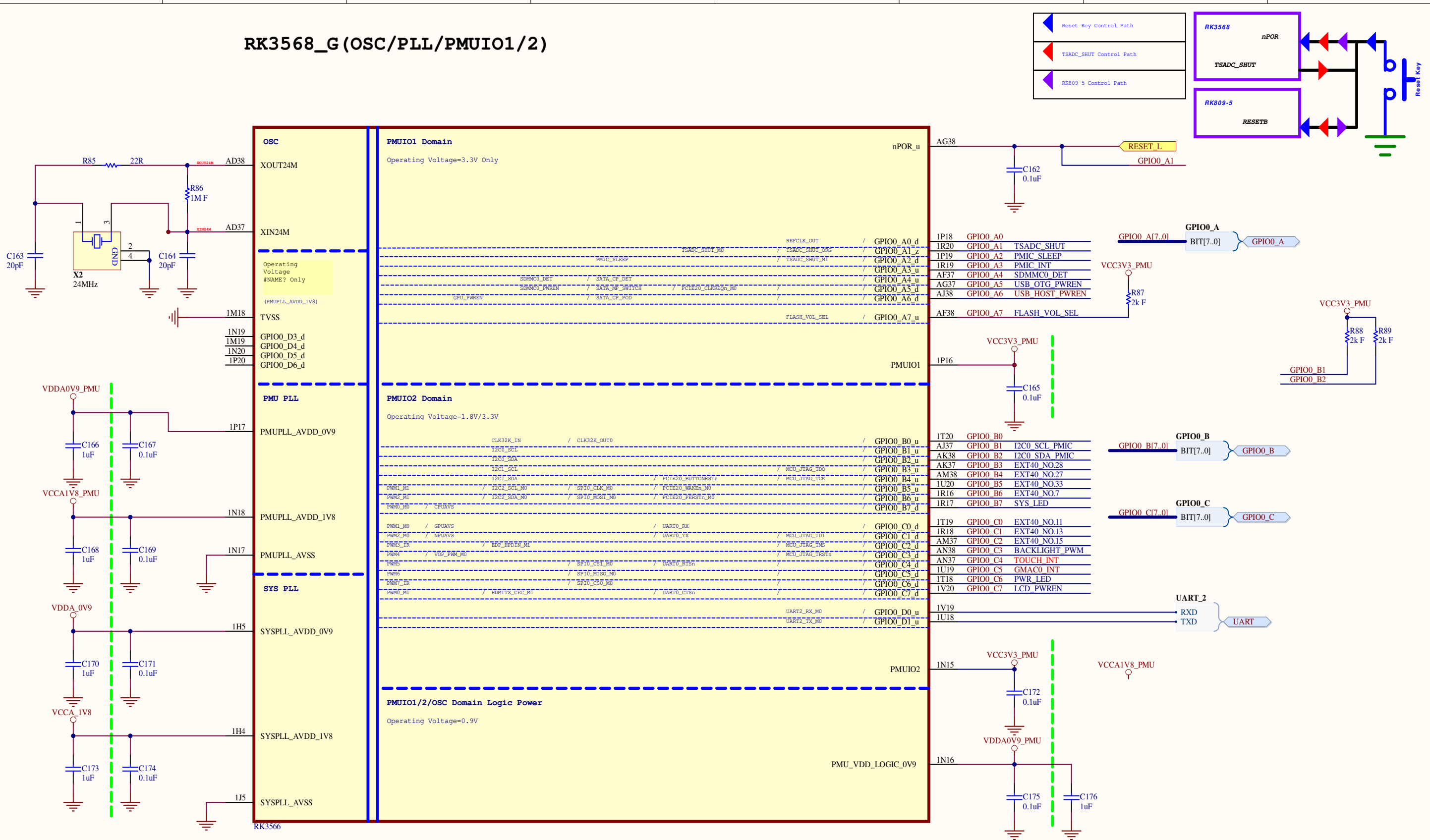
Note:
Except DDR3, other DQ sequences can not be swap

	VDDQ	VDDQL
DDR3L	1.35V	1.35V
DDR3	1.50V	1.50V
DDR4	1.20V	1.20V
LPDDR3	1.20V	1.20V
LPDDR4	1.10V	1.10V
LPDDR4X	1.10V	0.60V



Caps should be placed under the U1000 package

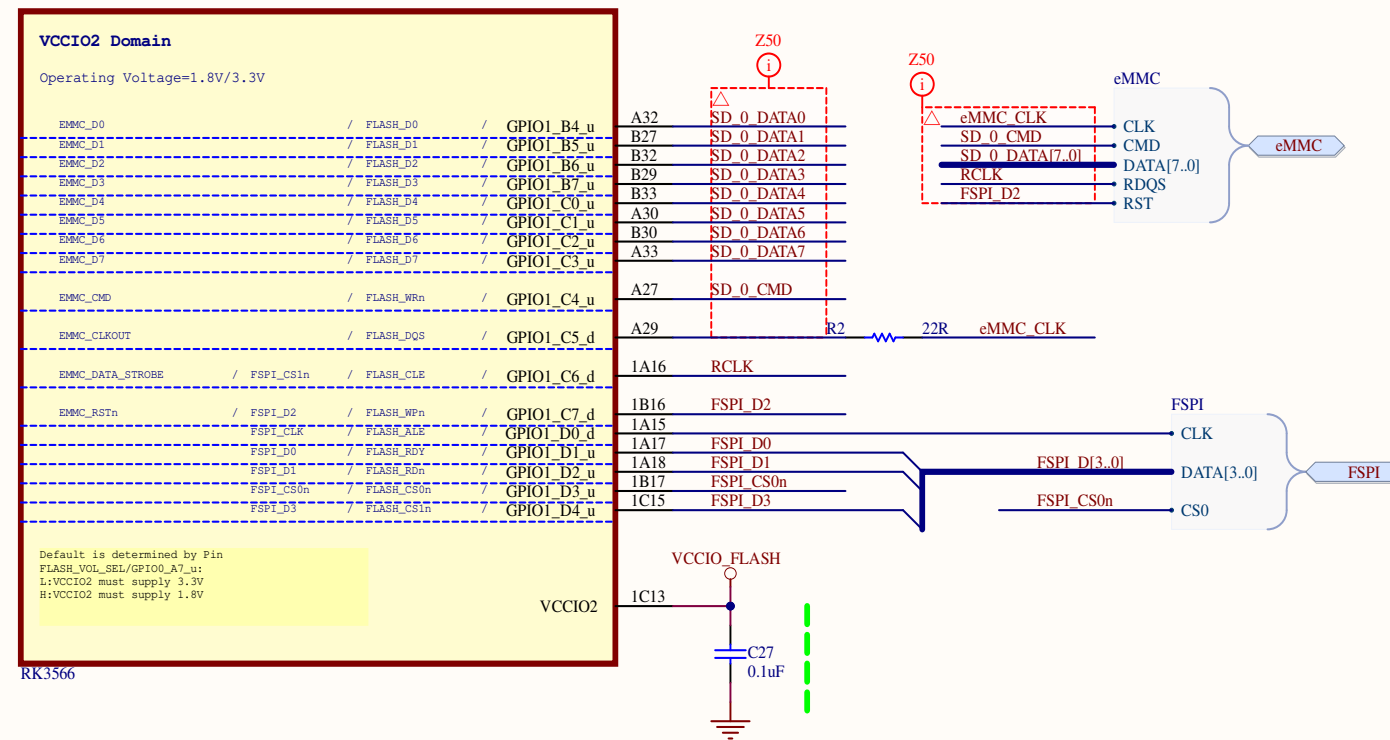
RK3568_G (OSC/PLL/PMUIO1/2)



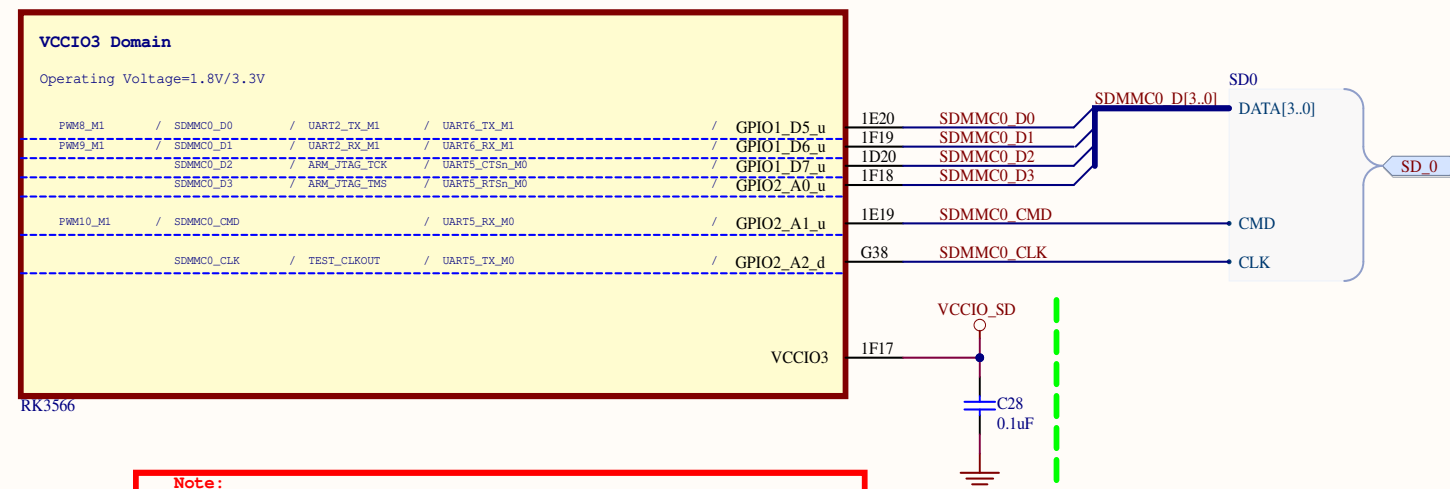
Note:
Caps of between dashed green lines and U1000 should be placed under the U1000 package. Other caps should be placed close to the U1000 package

Rockchip Confidential

RK3566_I (VCCIO2 Domain)



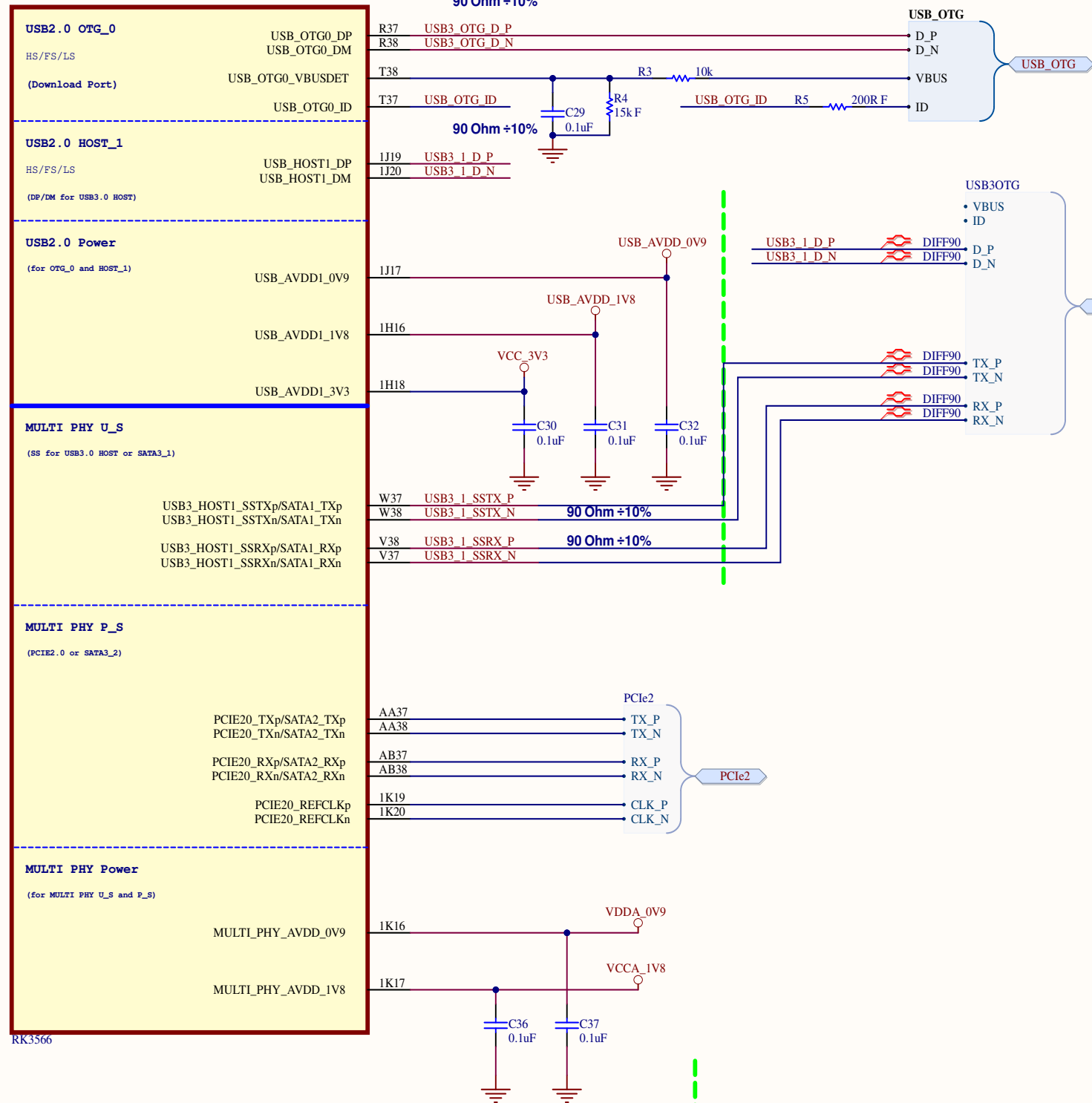
RK3566_J (VCCIO3 Domain)



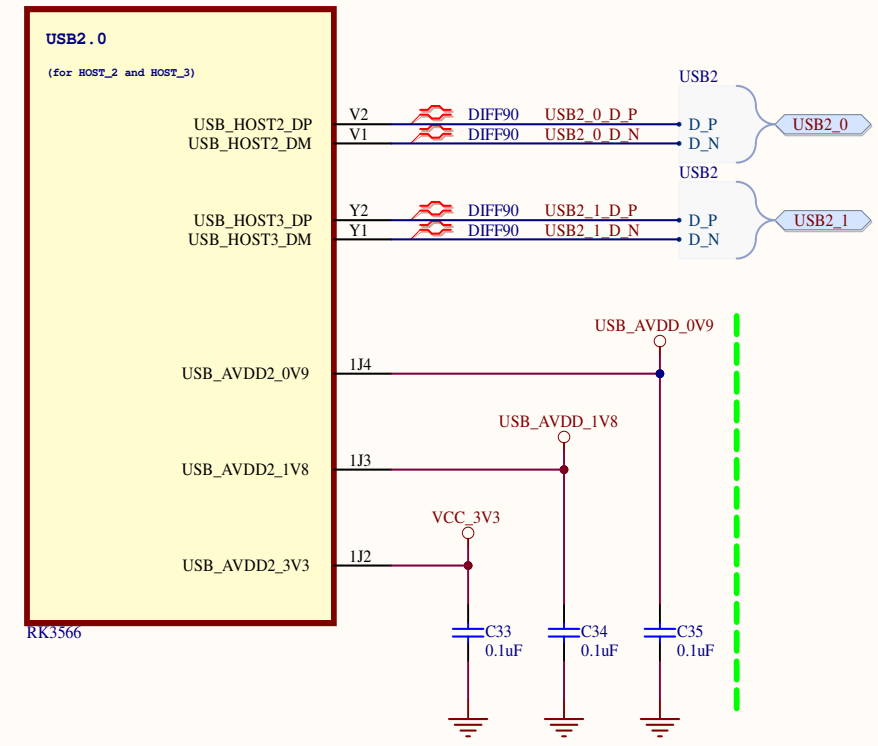
Note:
Caps of between dashed green lines and U1000 should be placed under the U1000 package



RK3566_U (USB3.0/SATA/QSGMII/PCIe2.0 x1)

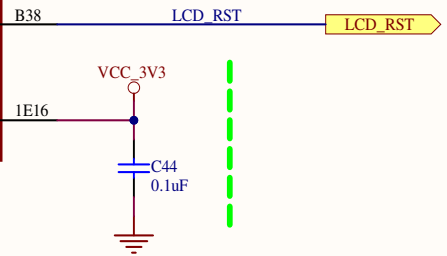
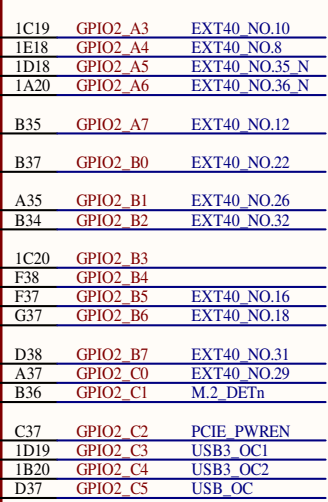
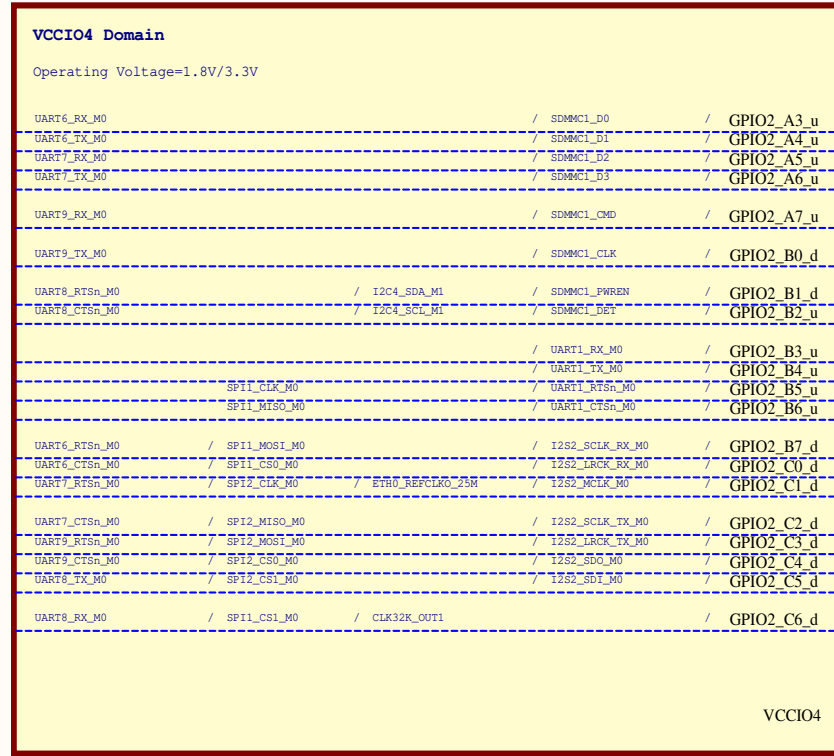


RK3566_V (USB2.0 HOST)



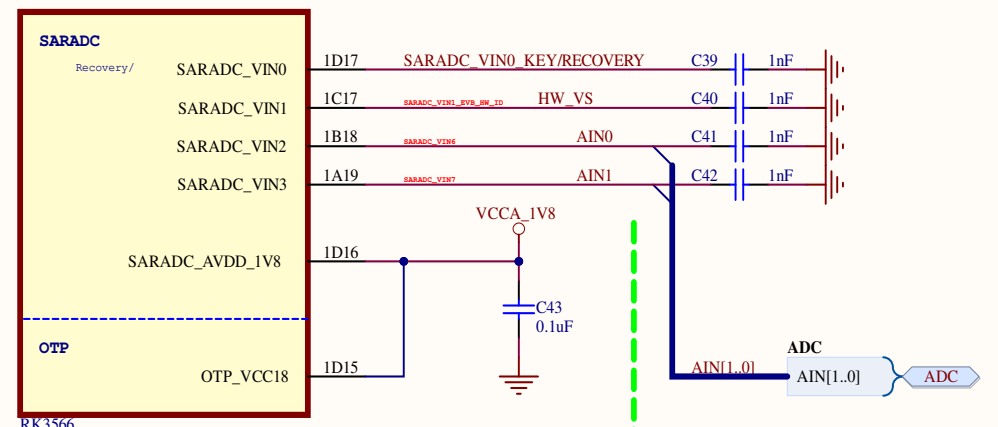
Note:
 Caps of between dashed green lines and U1000 should be placed under the U1000 package. Other caps should be placed close to the U1000 package

RK3566_K (VCCIO4 Domain)

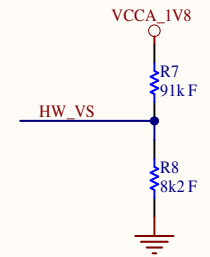
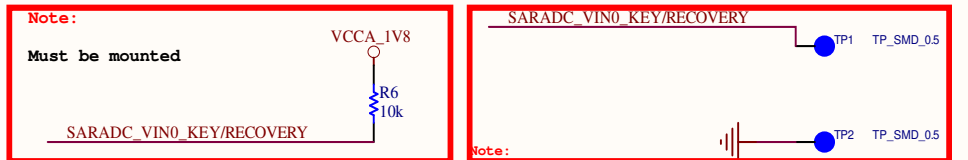


RK3566

RK3566_O (SARADC/OTP)

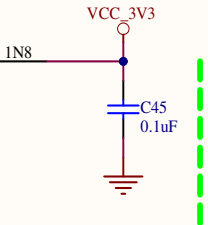
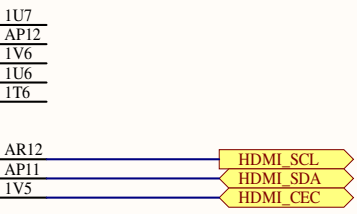
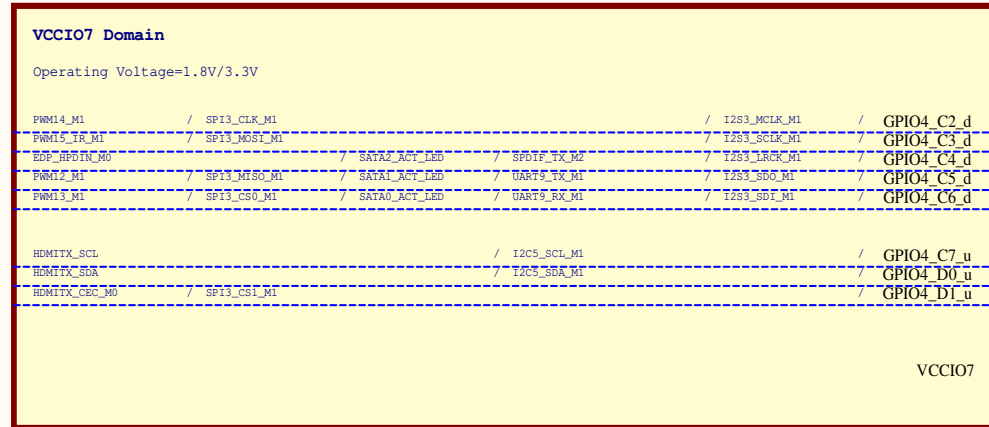


RK3566



Note:
Caps of between dashed green lines and U1000 should be placed under the U1000 package

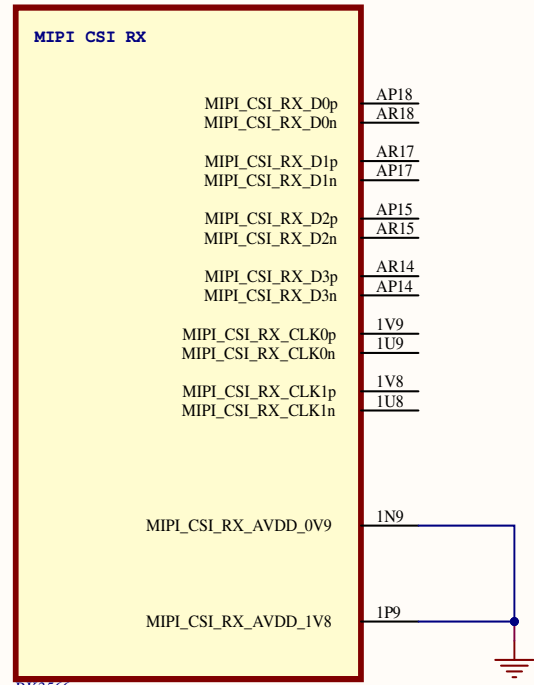
RK3566_N (VCCIO7 Domain)



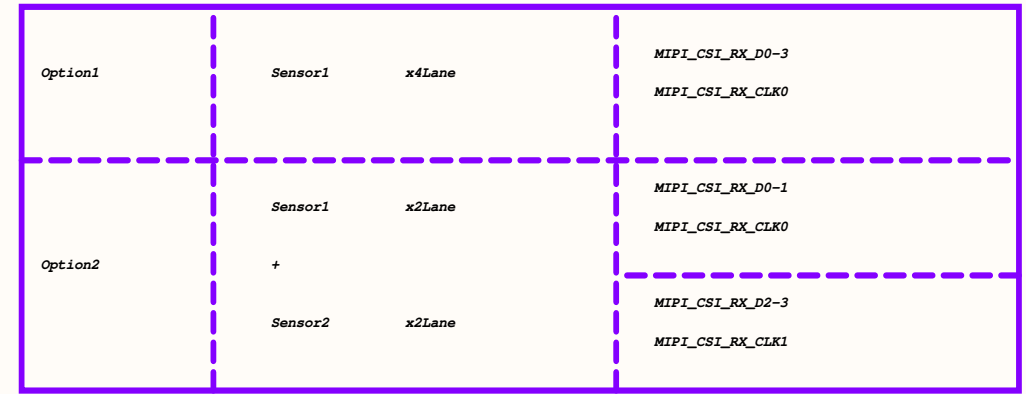
RK3566



RK3566_P (MIPI_CSI_RX)



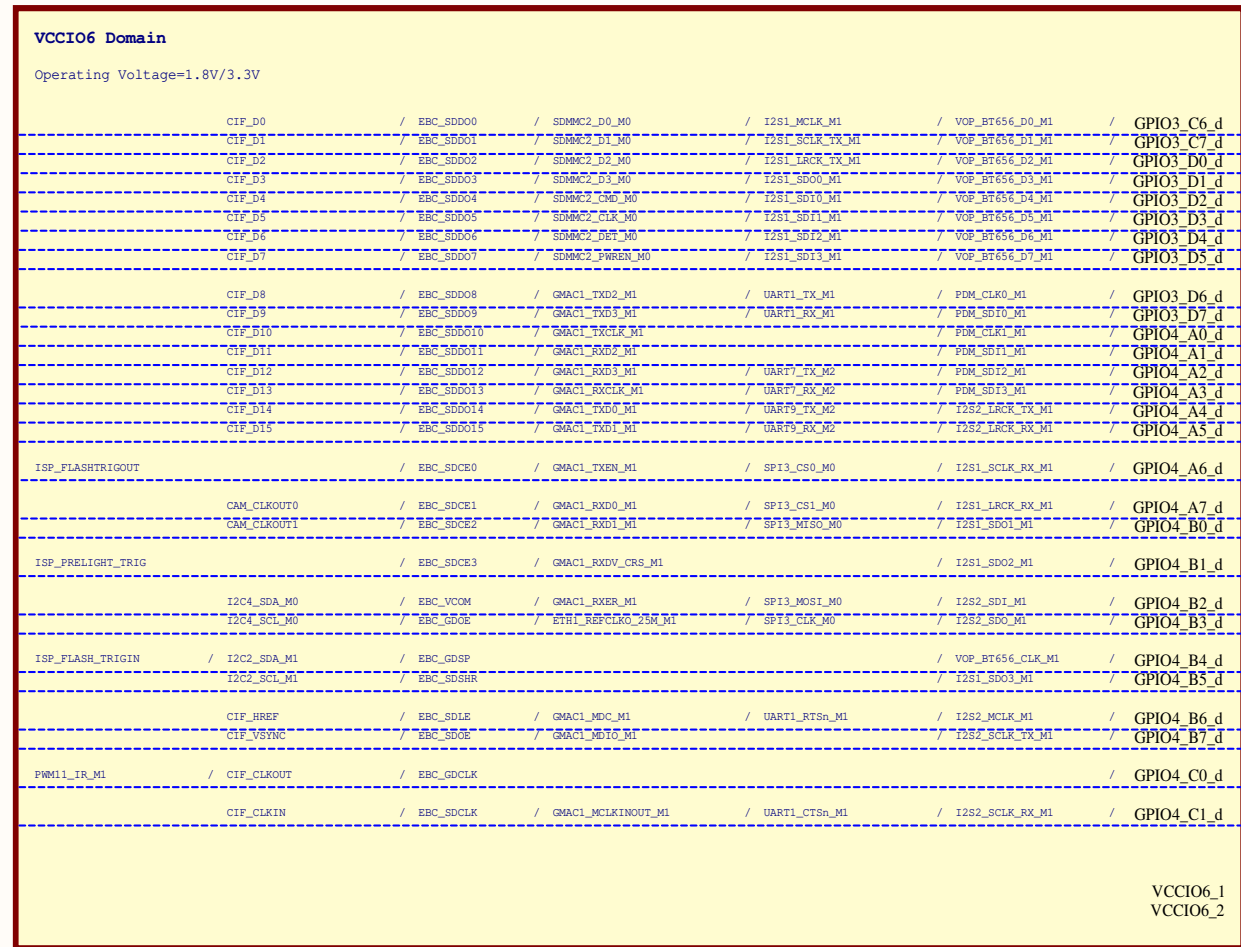
RK3566



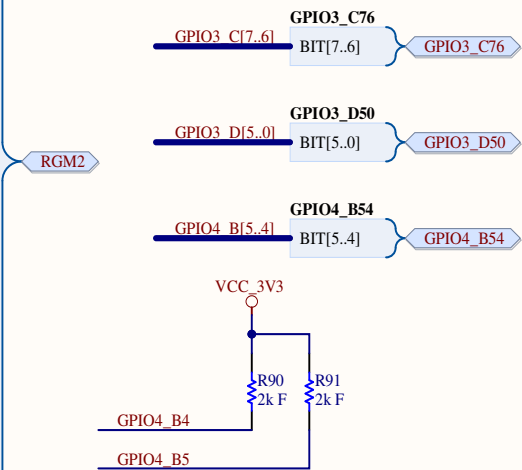
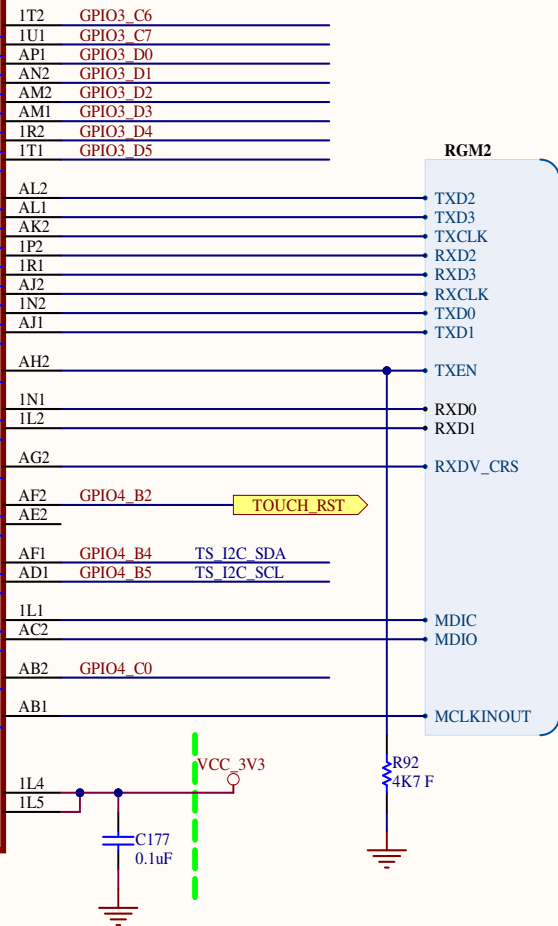
Mode	16bit	12bit	10bit	8bit
CIF_D0	D0	--	--	--
CIF_D1	D1	--	--	--
CIF_D2	D2	--	--	--
CIF_D3	D3	--	--	--
CIF_D4	D4	D0	--	--
CIF_D5	D5	D1	--	--
CIF_D6	D6	D2	D0	--
CIF_D7	D7	D3	D1	--
CIF_D8	D8	D4	D2	D0
CIF_D9	D9	D5	D3	D1
CIF_D10	D10	D6	D4	D2
CIF_D11	D11	D7	D5	D3
CIF_D12	D12	D8	D6	D4
CIF_D13	D13	D9	D7	D5
CIF_D14	D14	D10	D8	D6
CIF_D15	D15	D11	D9	D7

Support BT601 YCbCr 422 8bit input
 Support BT656 YCbCr 422 8bit input
 Support RAW 8/10/12bit input
 Support BT1120 YCbCr 422 8/10/12/16bit input, single/dual-edge sampling
 Support 2/4 mixed BT656/BT1120 YCbCr 422 8bit input

RK3566_M (VCCIO6 Domain)

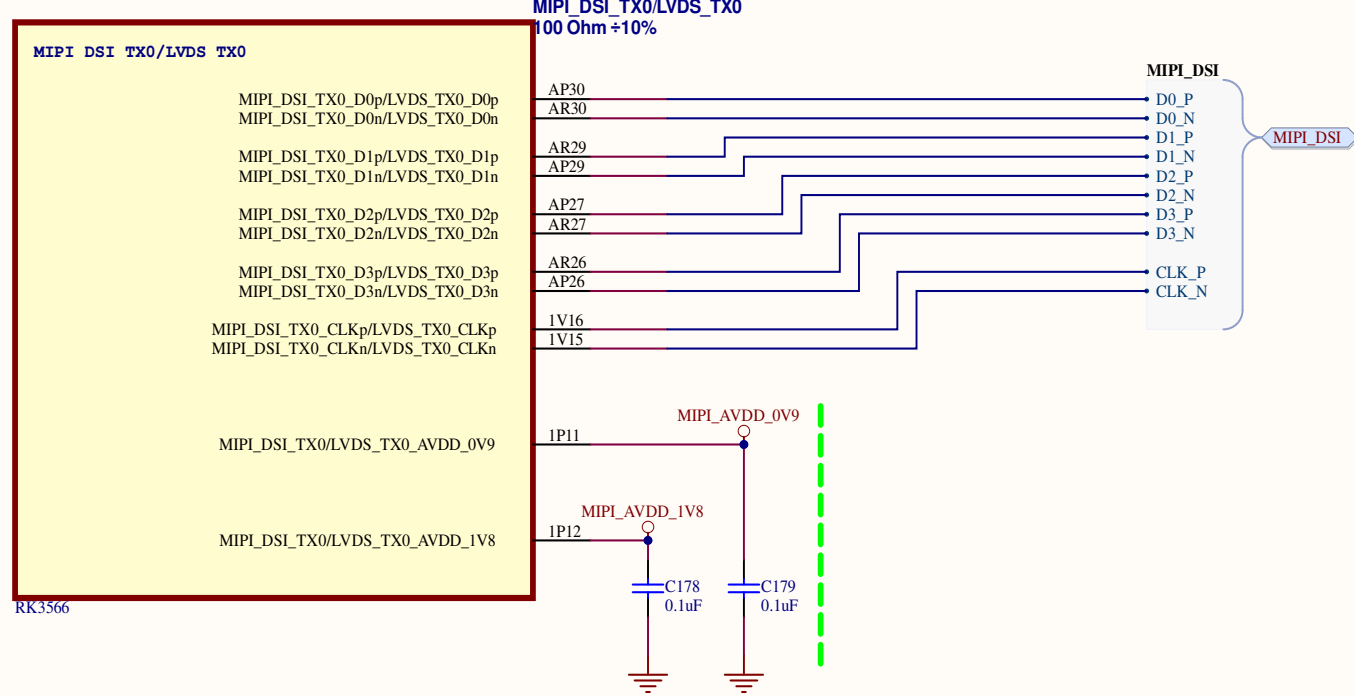


RK3566

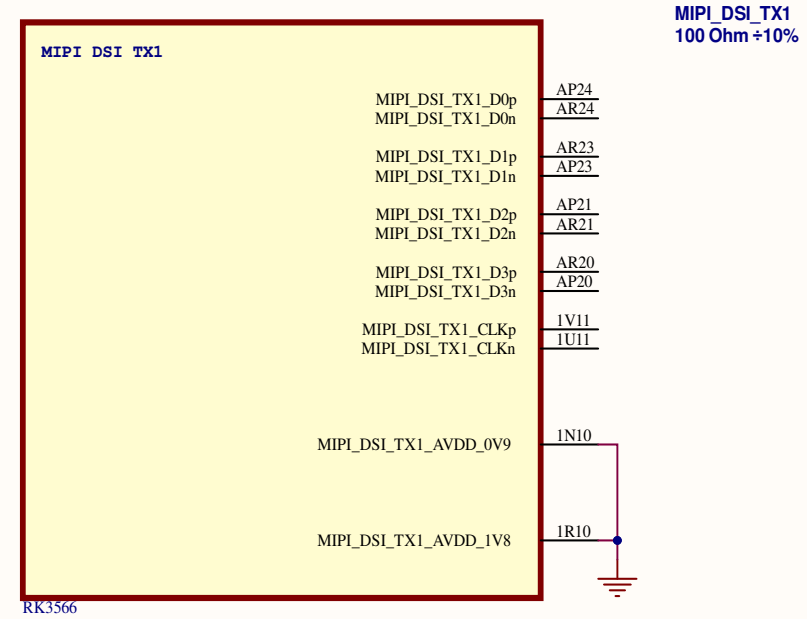


Note:
 Caps of between dashed green lines and U1000 should be placed under the U1000 package. Other caps should be placed close to the U1000 package

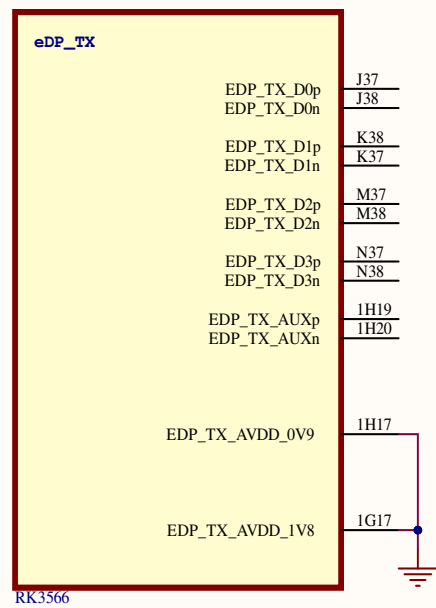
RK3566_R (MIPI_DSI_TX0/LVDS_TX0)



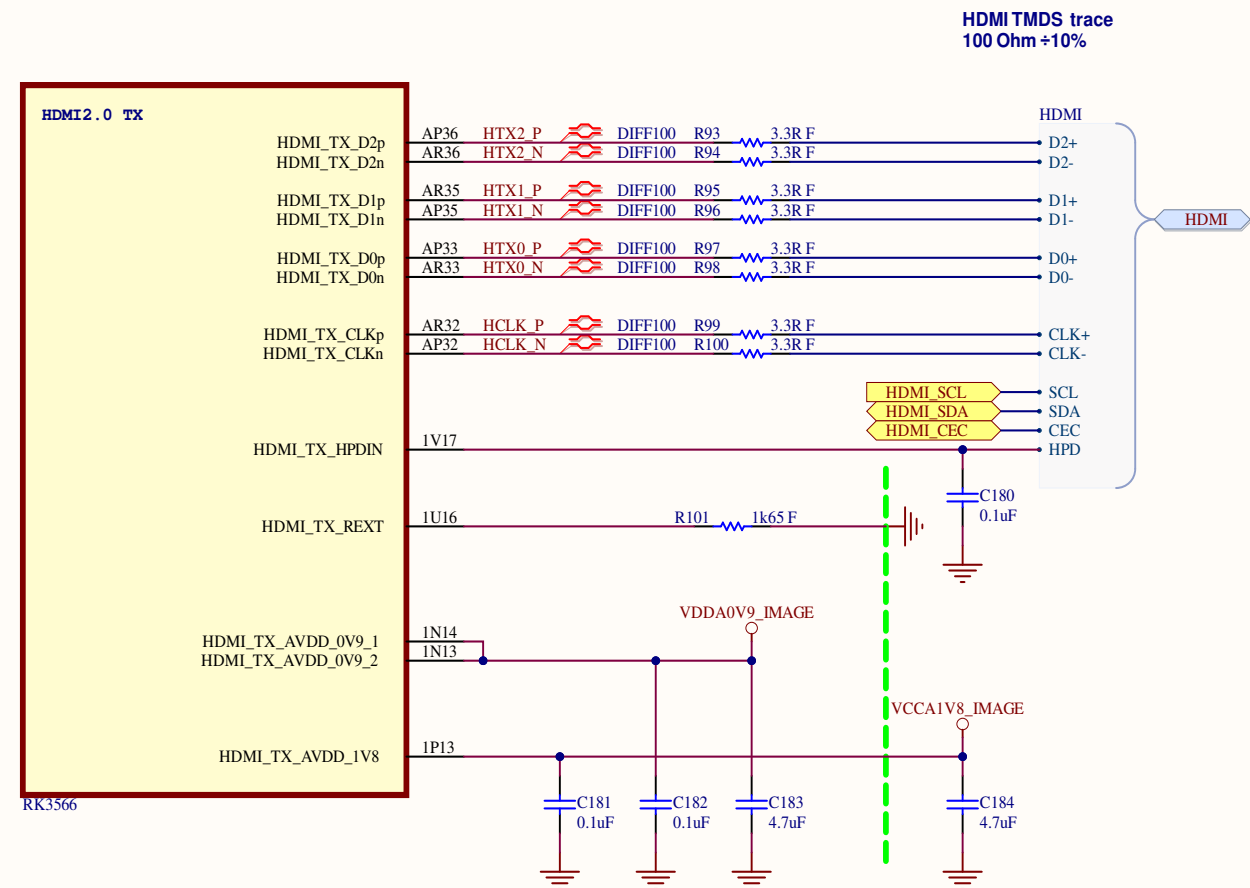
RK3566_S (MIPI_DSI_TX1)



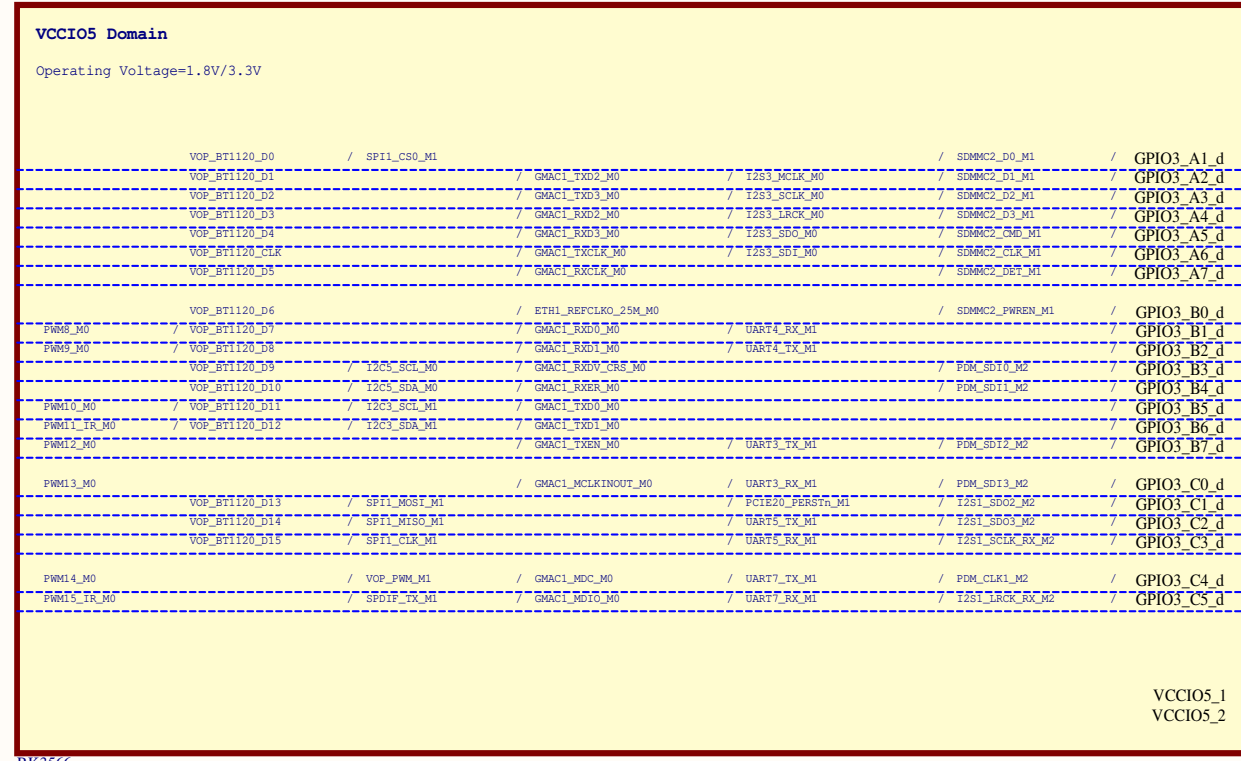
RK3566_T (eDP TX)



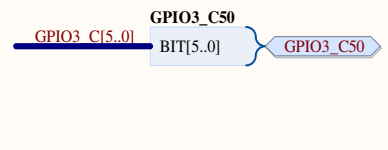
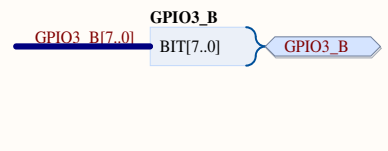
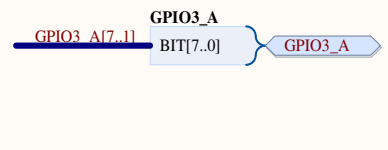
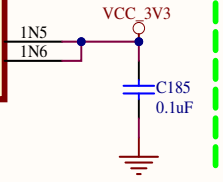
RK3566_Q (HDMI2.0 TX)



RK3566_L (VCCIO5 Domain)

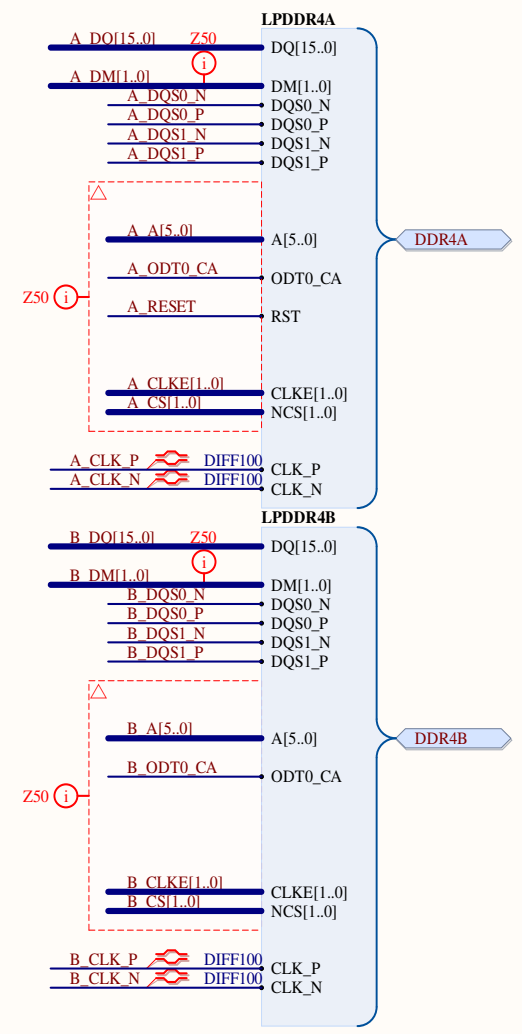
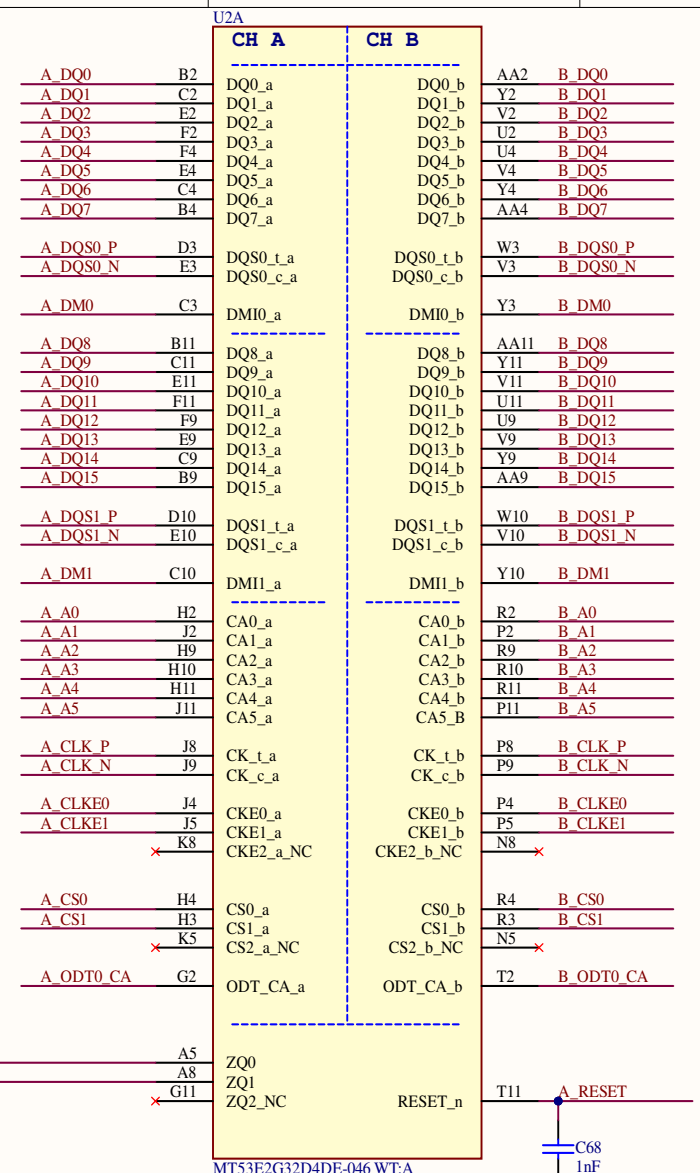


IU5	GPIO3_A1	EXT40_NO.24
AR10	GPIO3_A2	GPIO3_A2
AP10	GPIO3_A3	GPIO3_A3_H
AR9	GPIO3_A4	GPIO3_A4_H
AP9	GPIO3_A5	PCIE3_CLKREQn
IU4	GPIO3_A6	PCIE3_PERSTn
IV3	GPIO3_A7	GPIO3_A6
AR7	GPIO3_B0	GPIO3_B0
AP7	GPIO3_B1	
AR6	GPIO3_B2	
AP6	GPIO3_B3	EXT14_NO.13
IU3	GPIO3_B4	EXT14_NO.14
IT4	GPIO3_B5	EXT40_NO.5
IV2	GPIO3_B6	EXT40_NO.3
AP5	GPIO3_B7	GMAC0_nRST
AR4	GPIO3_C0	GPIO3_C0
AP4	GPIO3_C1	EXT40_NO.19
AP3	GPIO3_C2	EXT40_NO.21
AR2	GPIO3_C3	EXT40_NO.23
IP3	GPIO3_C4	EXT14_NO.11
IP4	GPIO3_C5	EXT14_NO.12

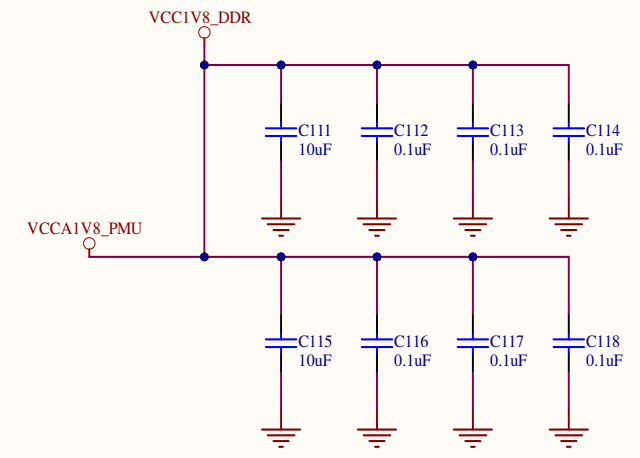
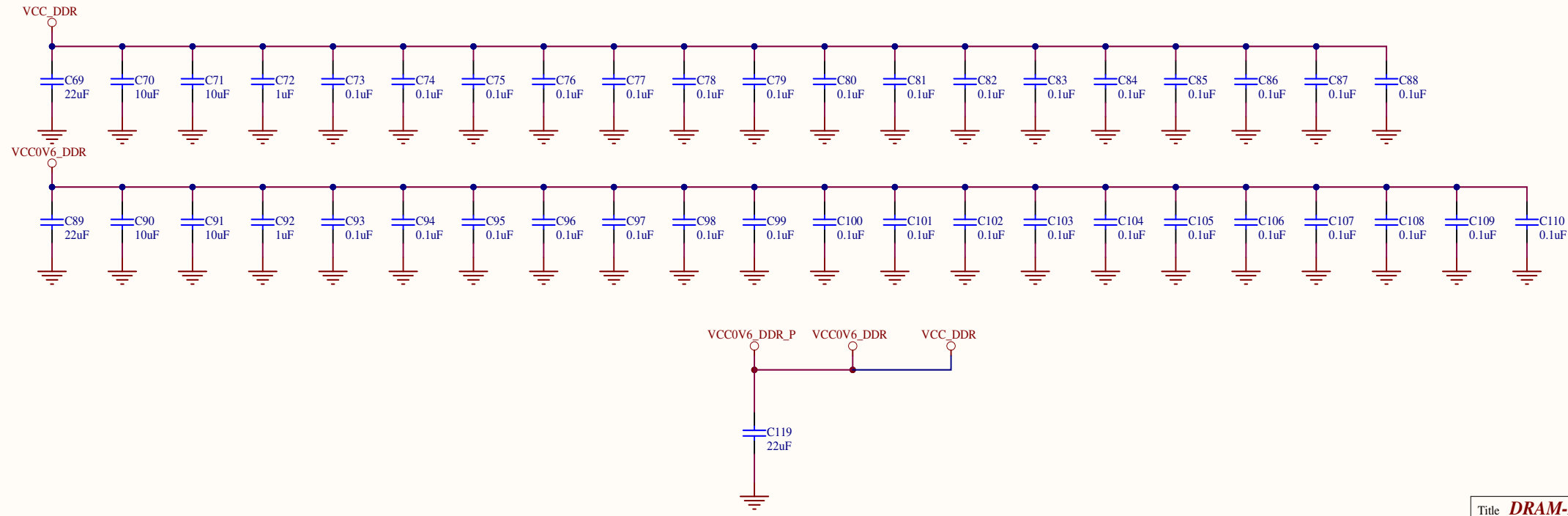
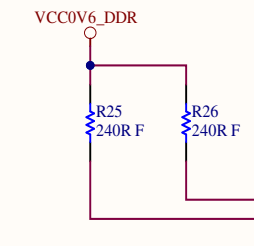
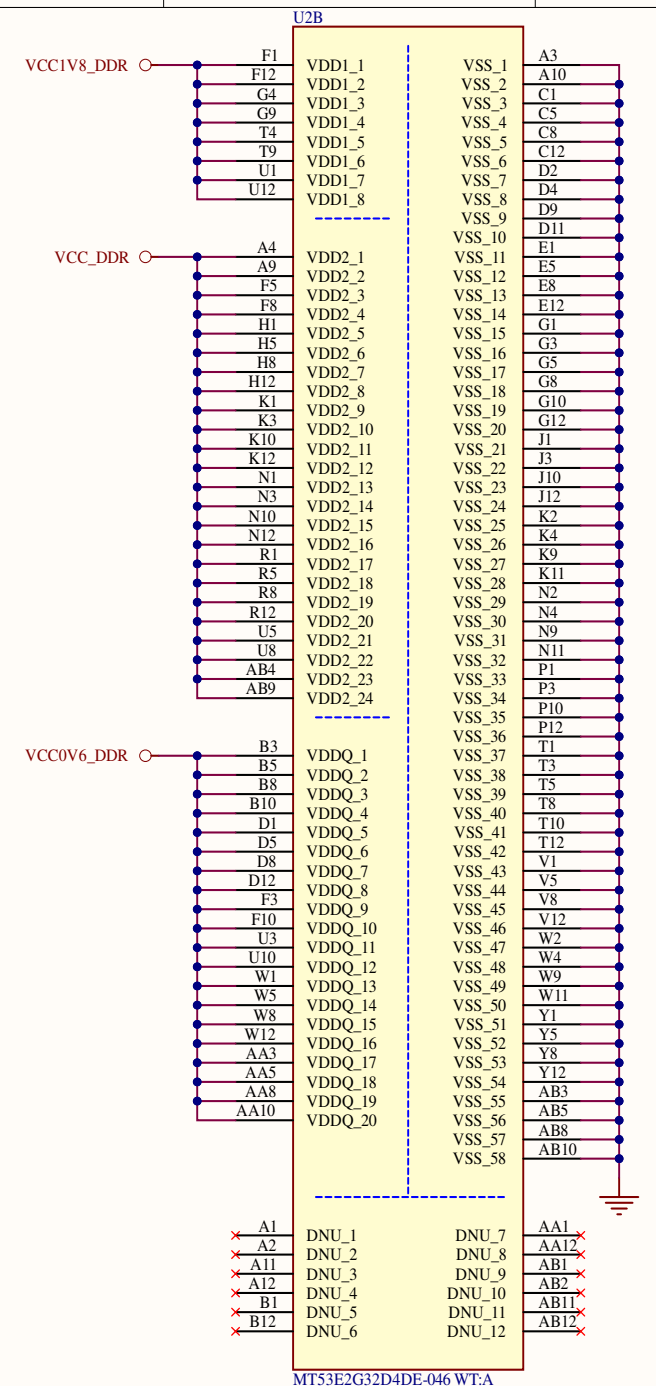


RK3566

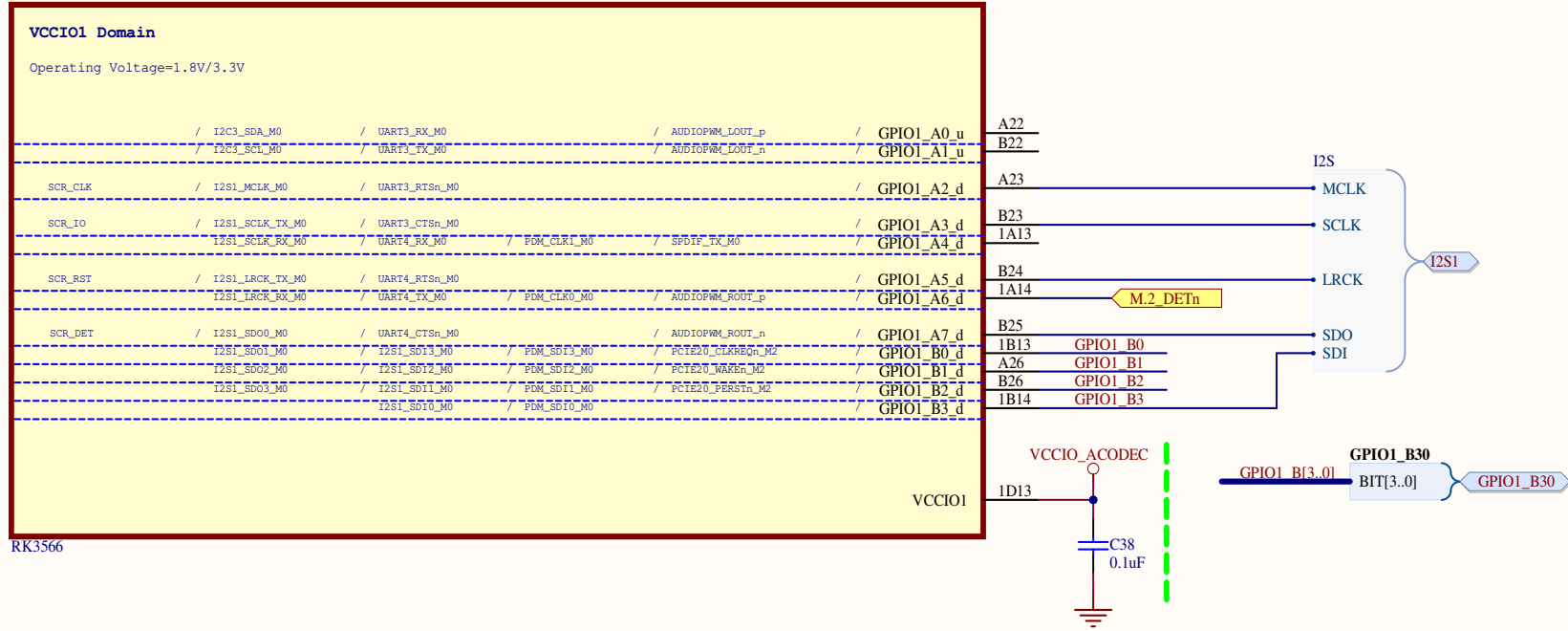
Note:
Caps of between dashed green lines and U1000 should be placed under the U1000 package



LPDDR4 : MT53D512M32D2DS-053 WT:D(D9WHZ) (3733)
 LPDDR4x : Hynix H9HCNNNBKMLHR-NME (3733)




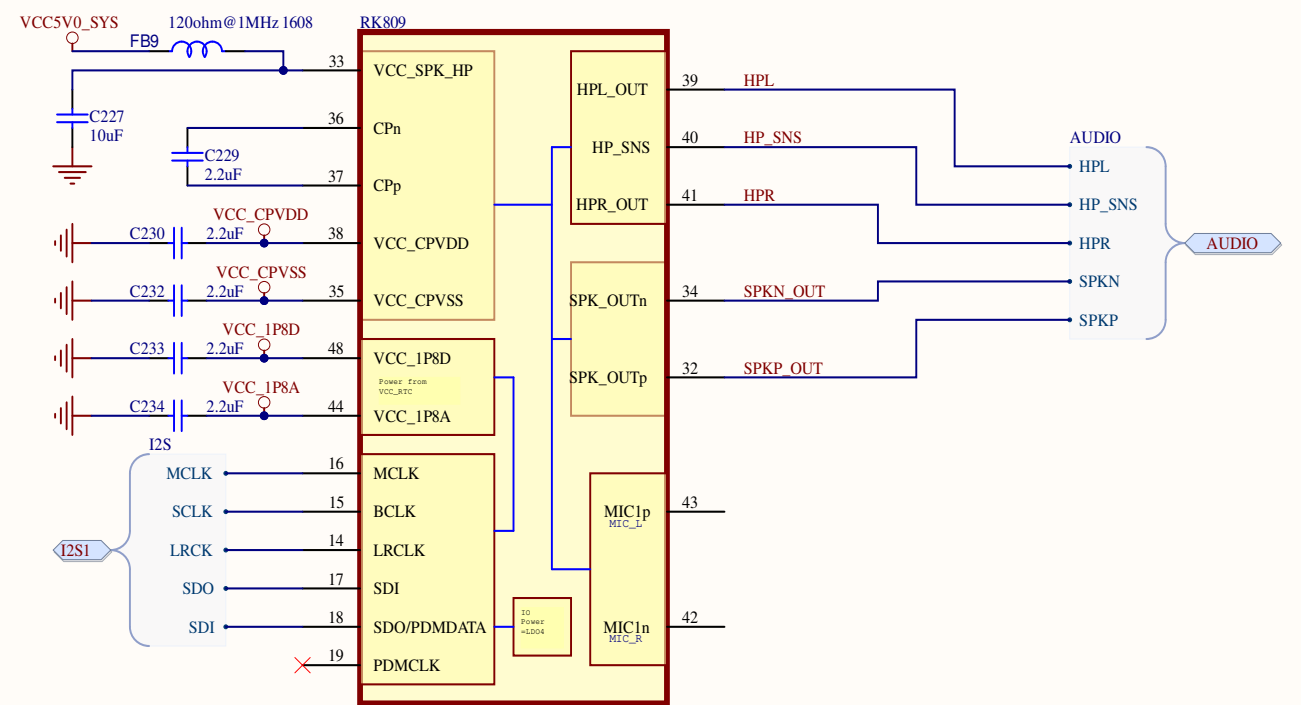
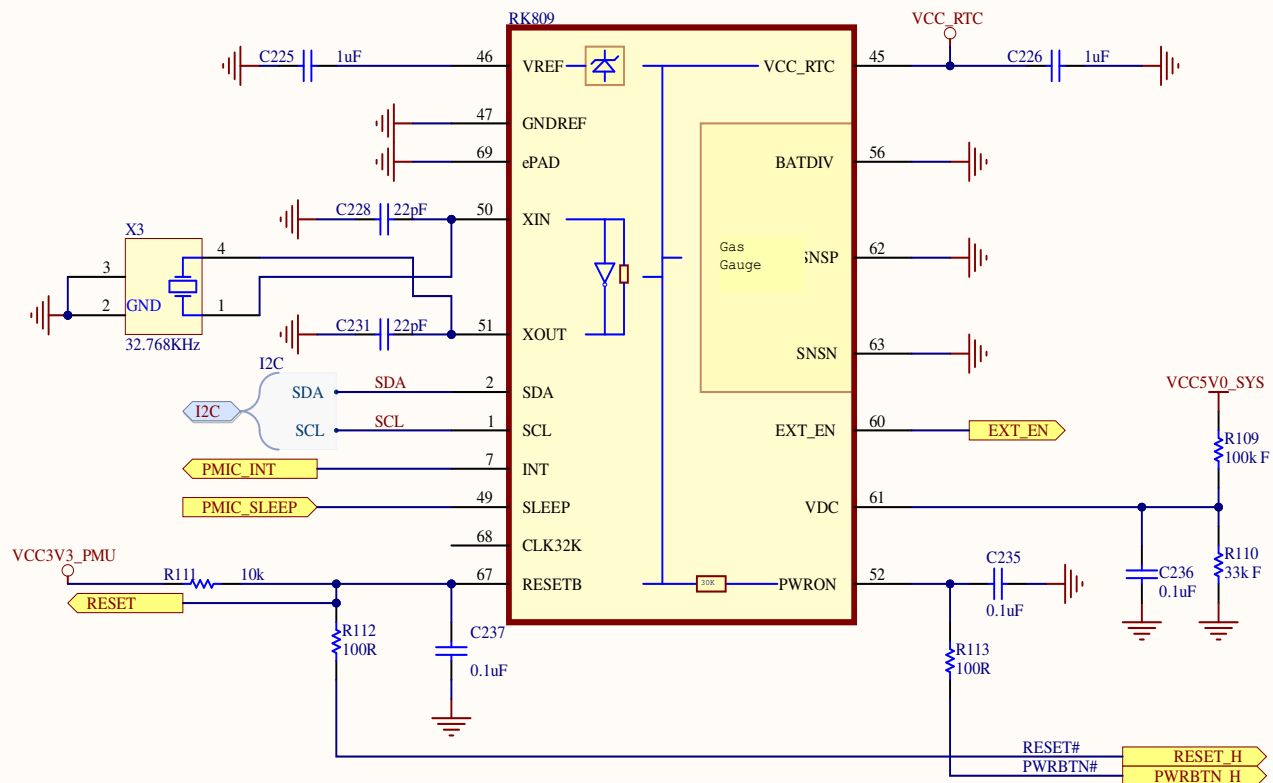
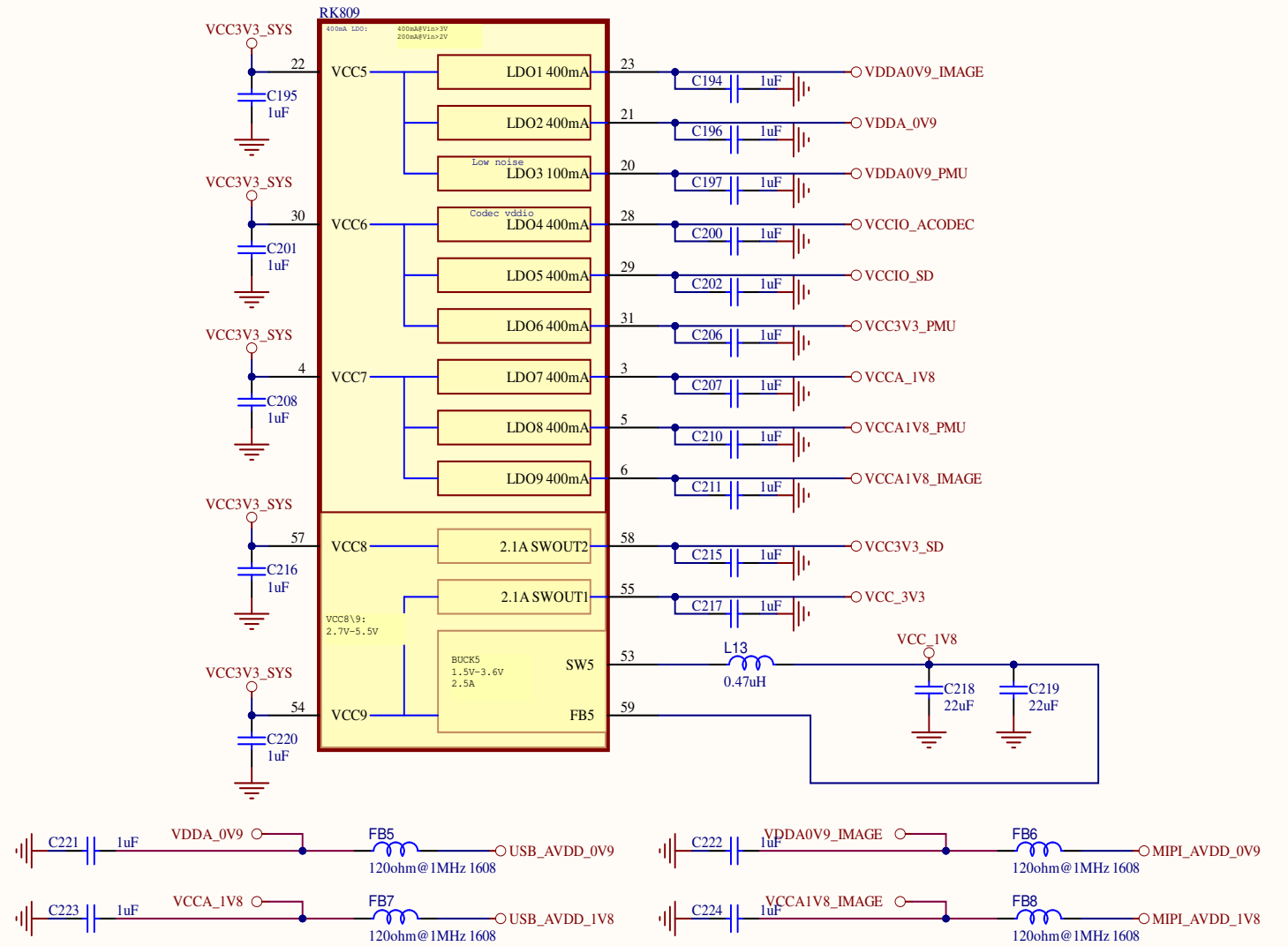
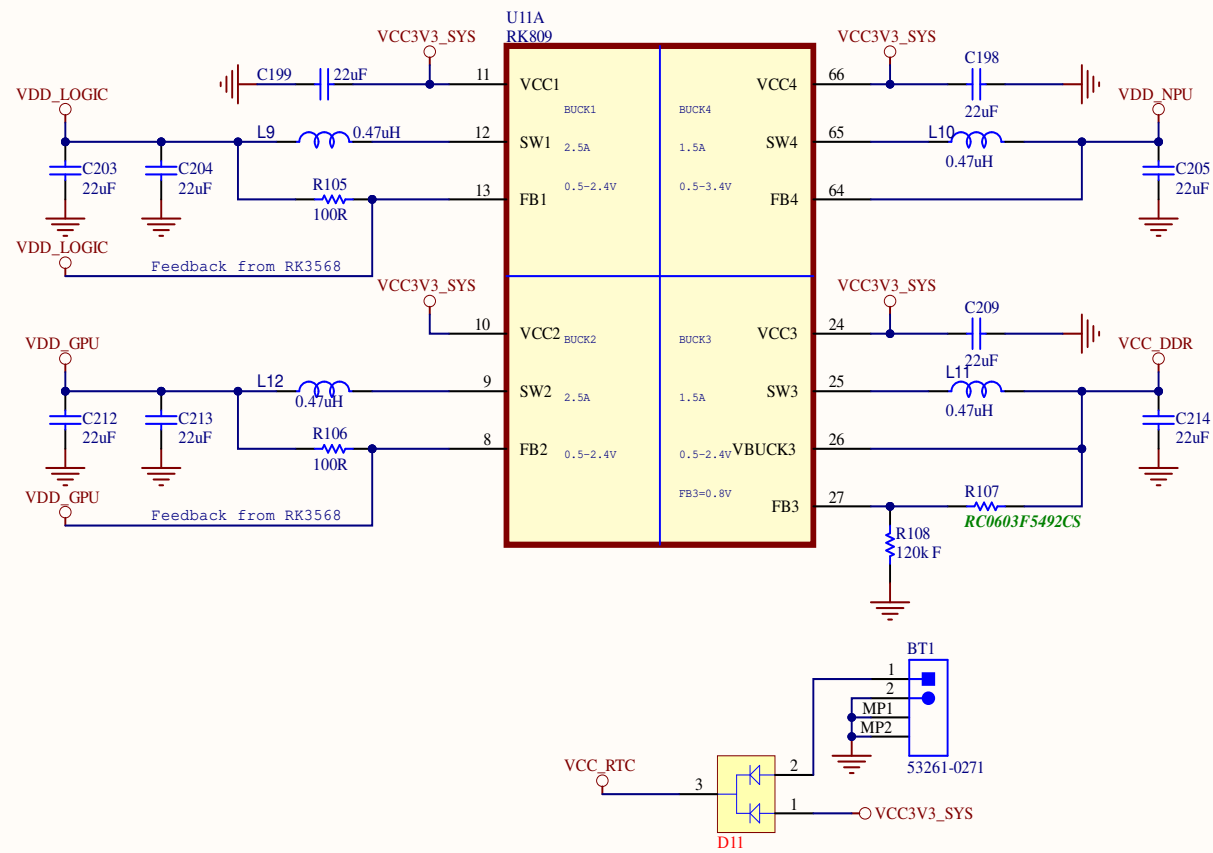
RK3566_H (VCCIO1 Domain)

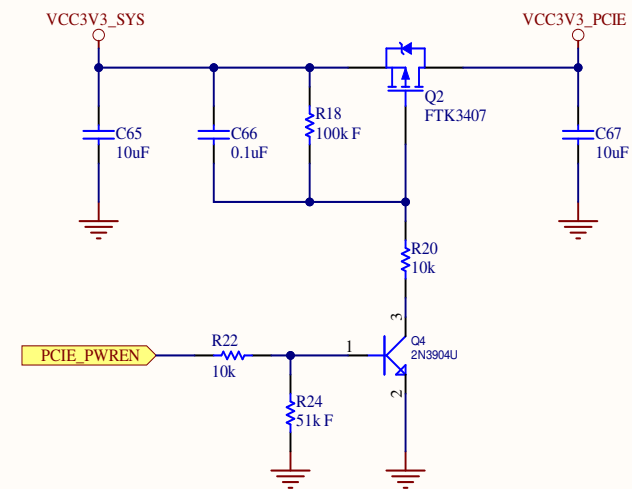
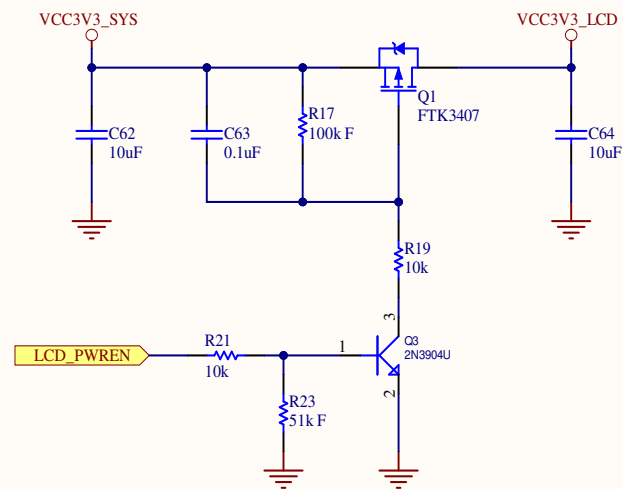
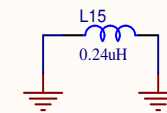
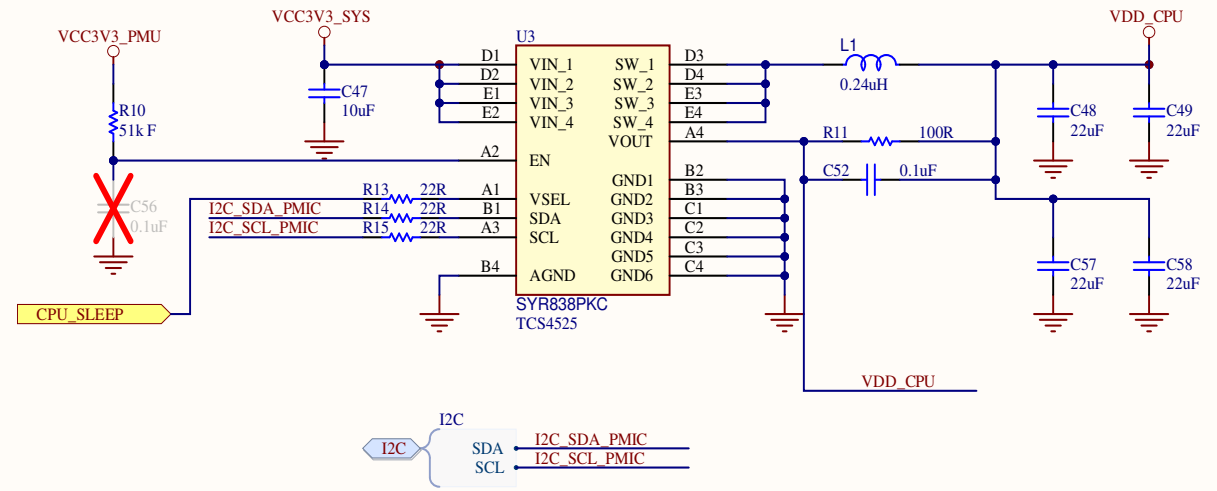
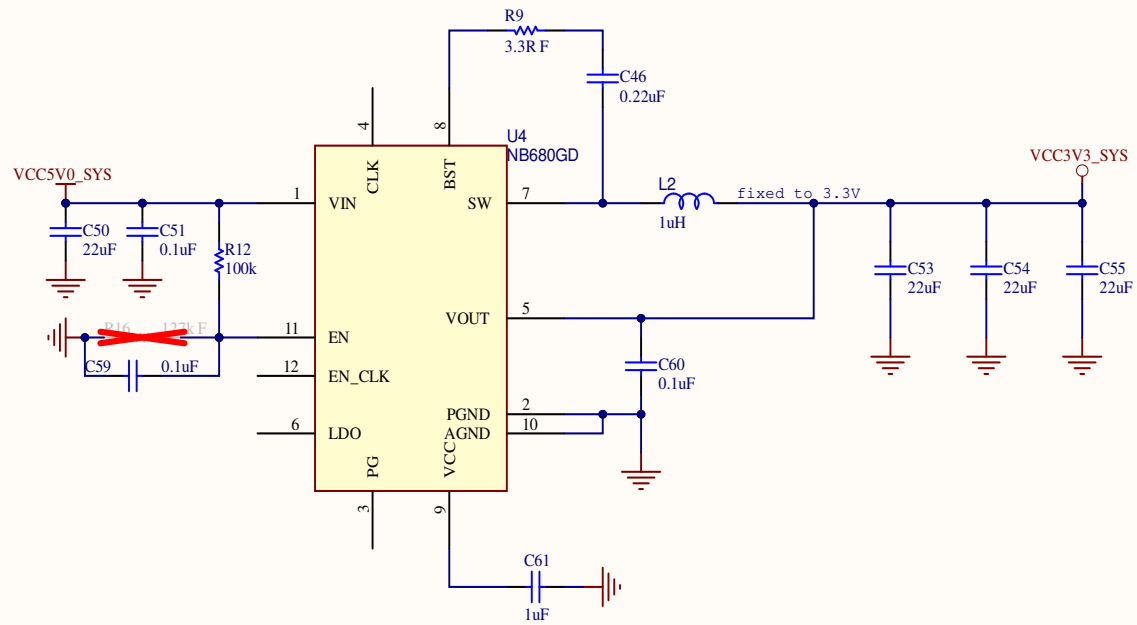


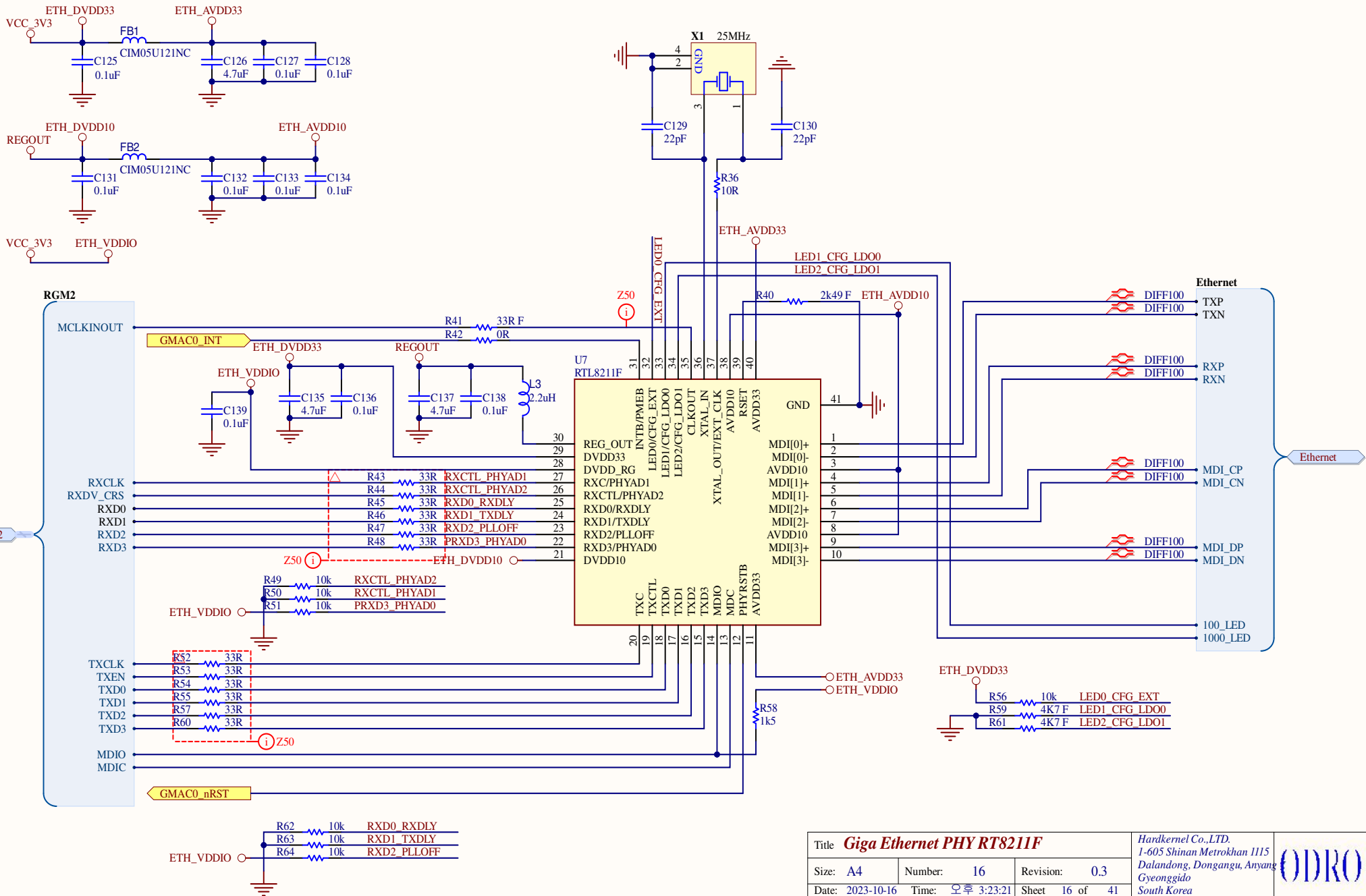
Note:

Caps of between dashed green lines and U1000 should be placed under the U1000 package

Title RK3566_Audio Interface			Hardkernel Co.,LTD. 475-1 Mananro Manangu, Anyang City Gyeonggido South Korea	
Size: A4	Number: 13	Revision: 0.1		
Date: 2023-10-16	Time: 오후 3:23:21	Sheet 13 of 41		
File: RK3566_Audio Interface.SchDoc				
			Designed by: ruppi.kim@hardkernel.com	







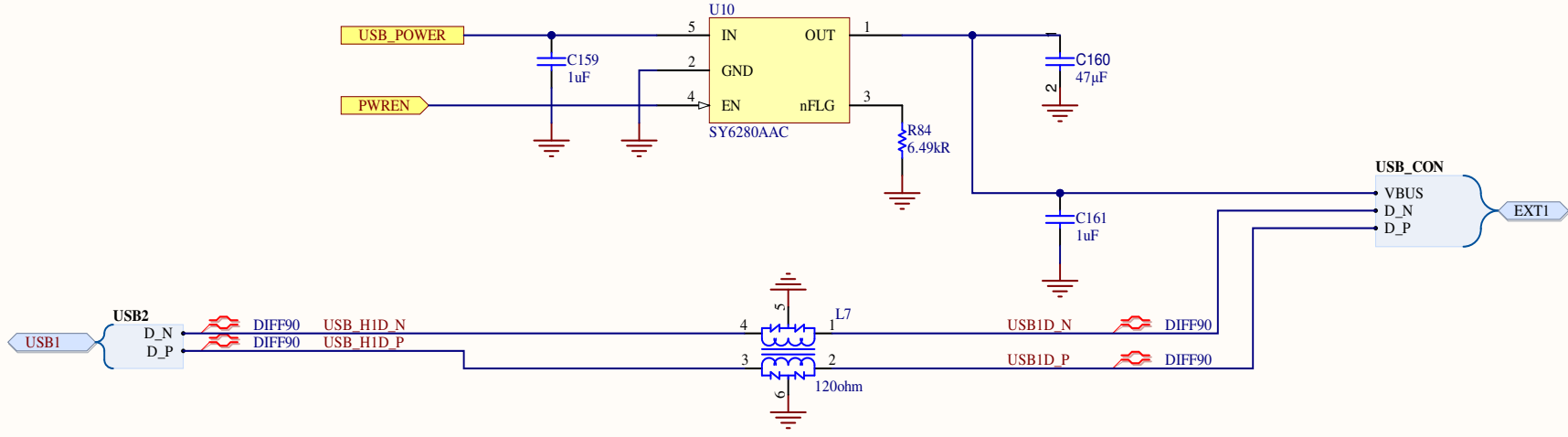
Title **Giga Ethernet PHY RT8211F**

Size: A4 Number: 16 Revision: 0.3
 Date: 2023-10-16 Time: 오후 3:23:21 Sheet 16 of 41
 File: GIGA_ETHERNET_PHY_RT8211F.SchDoc

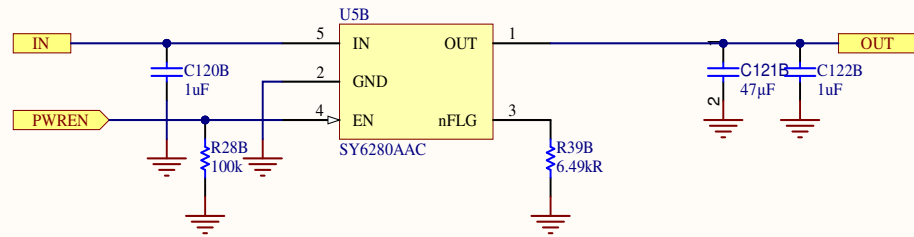
Hardkernel Co.,LTD.
 1-605 Shinan Metrokhan 1115
 Dalandong, Dongangu, Anyang
 Gyeongido
 South Korea




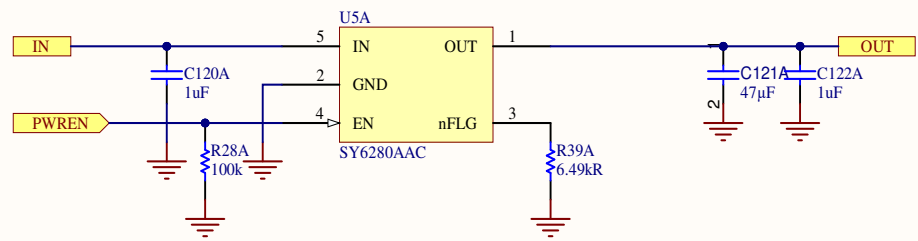
Designed by: ruppi.kim@hardkernel.com



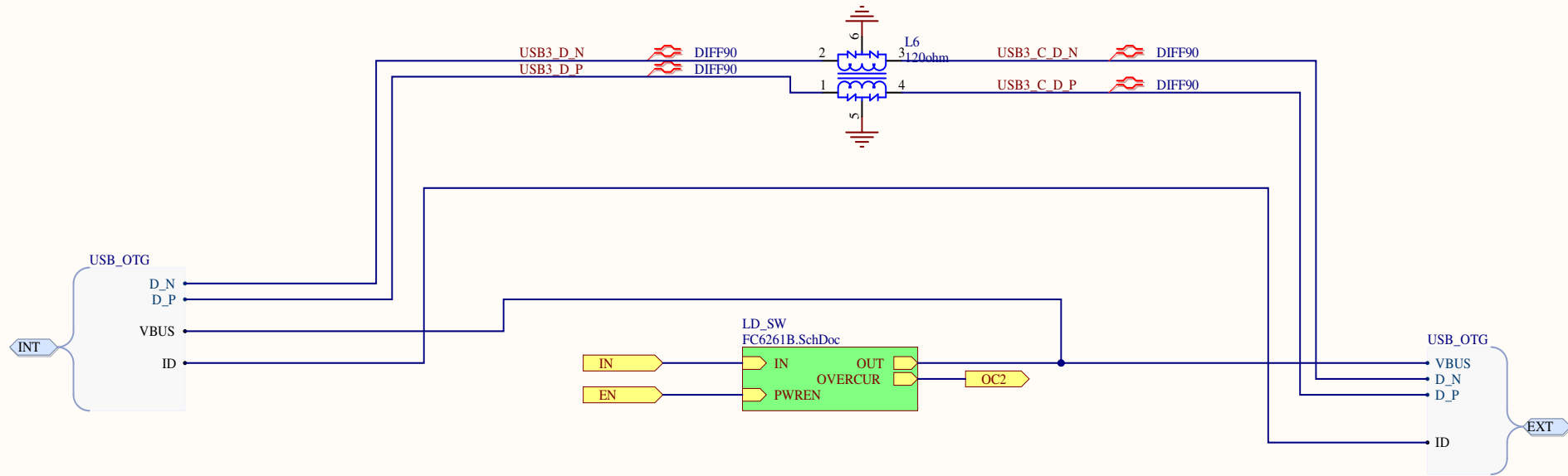
Title USB HOST PWR SW			Hardkernel Co.,LTD. 1-605 Shinan Metrokhan 1115 Dalandong, Dongang, Anyang Gyeonggido South Korea		
Size: A4	Number: 17	Revision: 0.3			
Date: 2023-10-16	Time: 오후 3:23:21	Sheet 17 of 41			
File: USB_HOST_PWR_SW.SchDoc			Designed by: ruppi.kim@hardkernel.com		



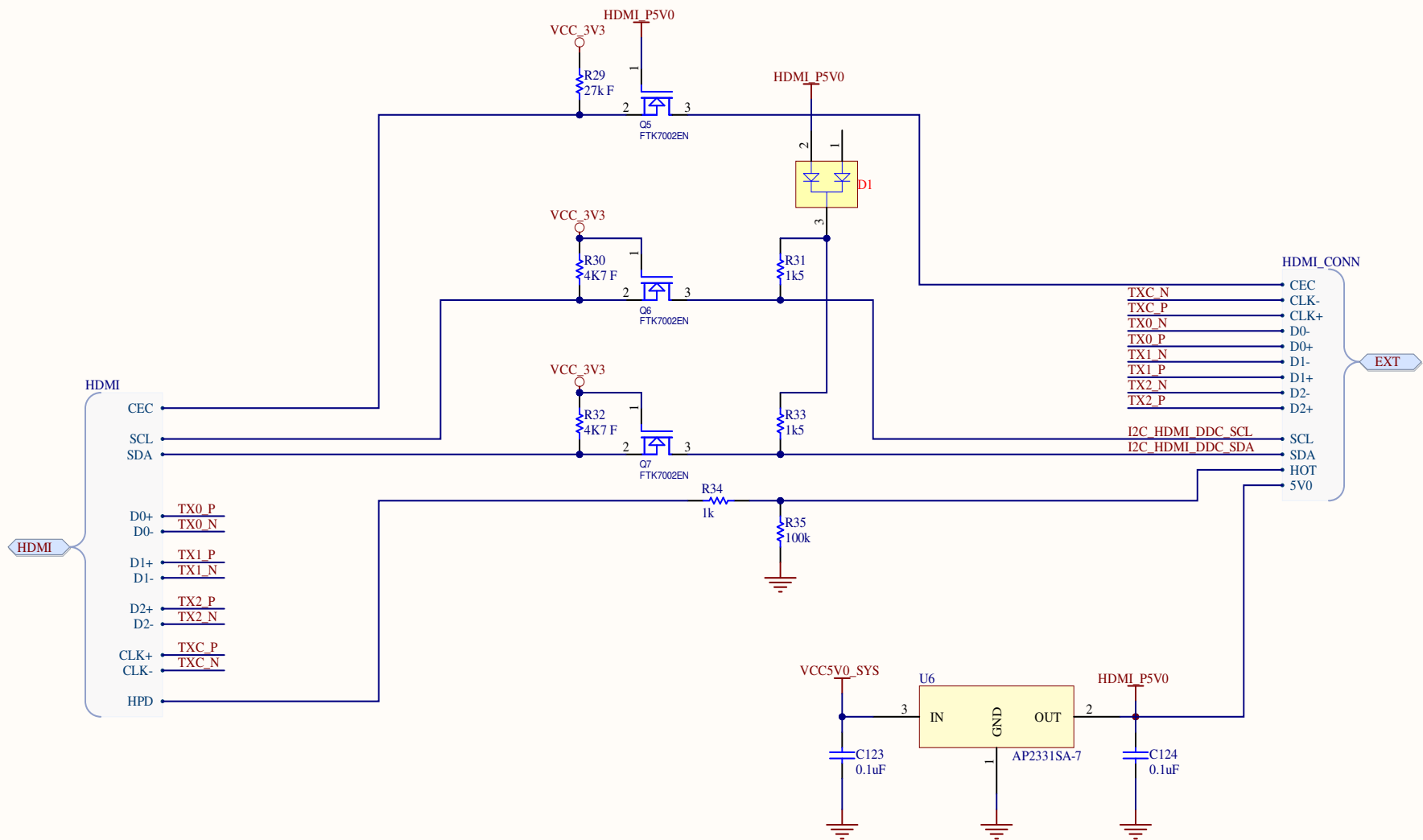
Title USB HOST Power Switch			<i>Hardkernel Co.,LTD.</i> 475-1 Mananro Manangu, Anyang City Gyeonggido South Korea	
Size: A4	Number: 18	Revision: 0.1		
Date: 2023-10-16	Time: 오후 3:23:21	Sheet 18 of 41	Designed by: ruppi.kim@hardkernel.com	
File: FC6261B.SchDoc				



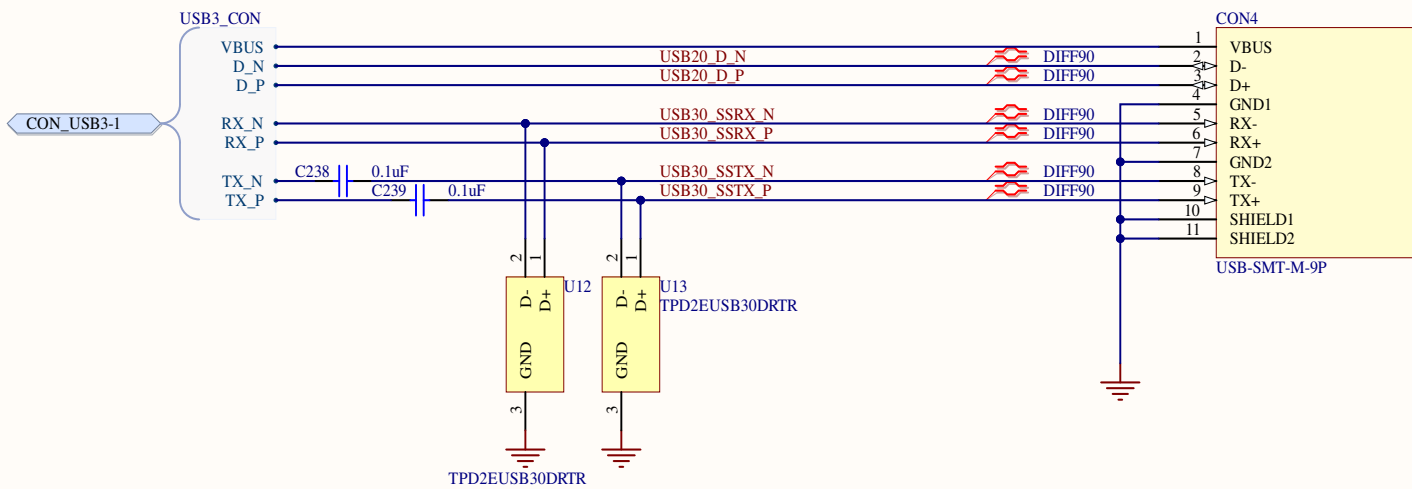
Title USB HOST Power Switch			Hardkernel Co.,LTD. 475-1 Mananro Manangu, Anyang City Gyeonggido South Korea	
Size: A4	Number: 18	Revision: 0.1	ODROID	
Date: 2023-10-16	Time: 오후 3:23:21	Sheet 18 of 41		
File: FC6261B.SchDoc				
			Designed by: ruppi.kim@hardkernel.com	



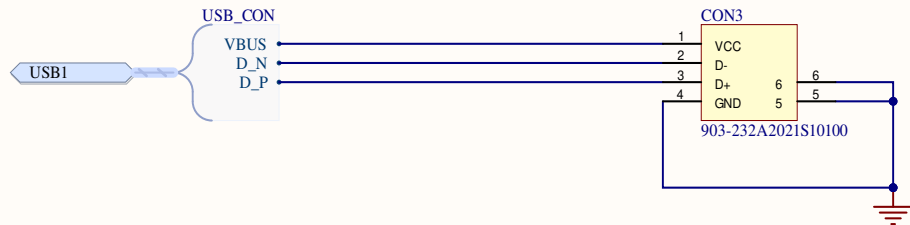
Title USB3 BUS POWER			Hardkernel Co.,LTD. 475-1 Mananro Manangu, Anyang City Gyeonggido South Korea	
Size: A4	Number: 19	Revision: 0.1		
Date: 2023-10-16	Time: 오후 3:23:21	Sheet 19 of 41	Designed by: ruppi kim@hardkernel.com	
File: USB3_BUS_PWR.SchDoc				




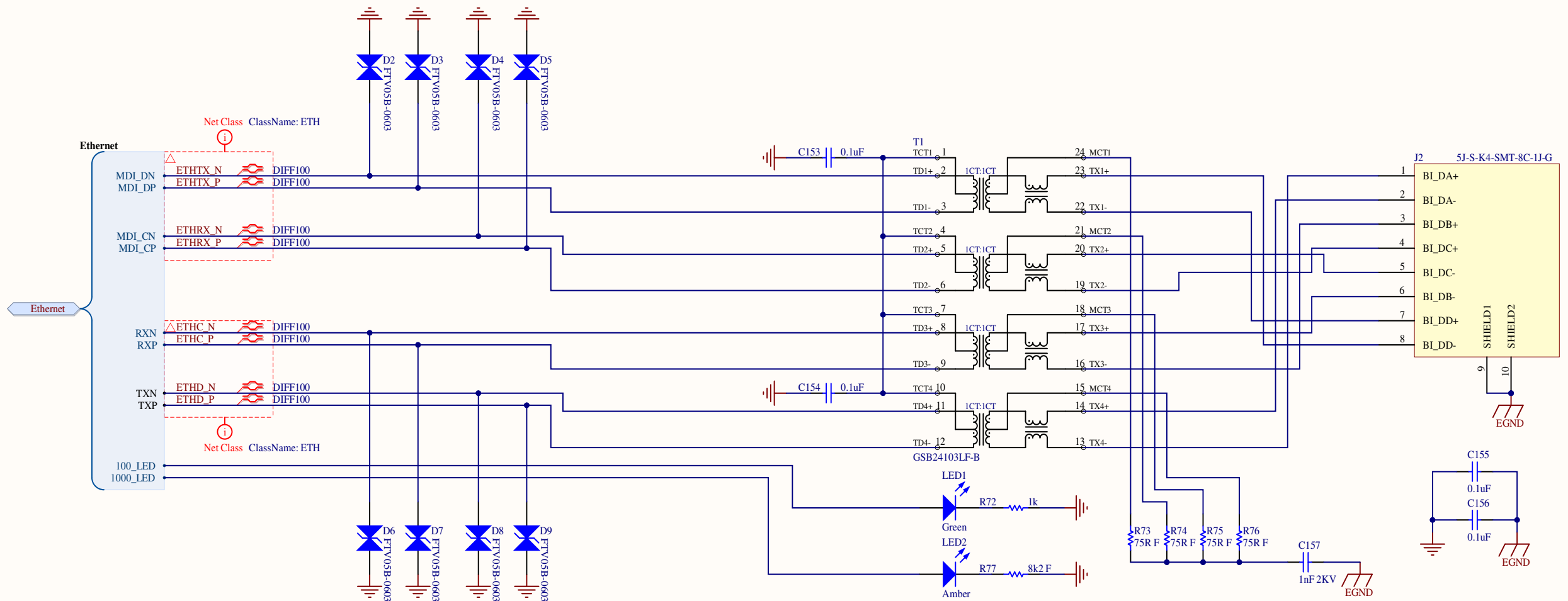
Title HDMI 2C			Hardkernel Co.,LTD. 704 Anyang K-center 1591-9 Burim, Dongangu, Anyang Kyeonggido South Korea		ODROID
Size: A4	Number: 20	Revision: 0.3			
Date: 2023-10-16	Time: 오후 3:23:21	Sheet 20 of 41			
File: HDMI_I2C.SchDoc			Designed by: ruppi.kim@hardkernel.com		



Title USB 3.0 Type A Connector			Hardkernel Co.,LTD. 475-1 Mananro Manangu, Anyang City Gyeonggido South Korea	ODROID
Size: A4	Number: 22	Revision: 0.1		
Date: 2023-10-16	Time: 오후 3:23:22	Sheet 22 of 41	Designed by: ruppi.kim@hardkernel.com	
File: CON_USB3_RA.SchDoc				

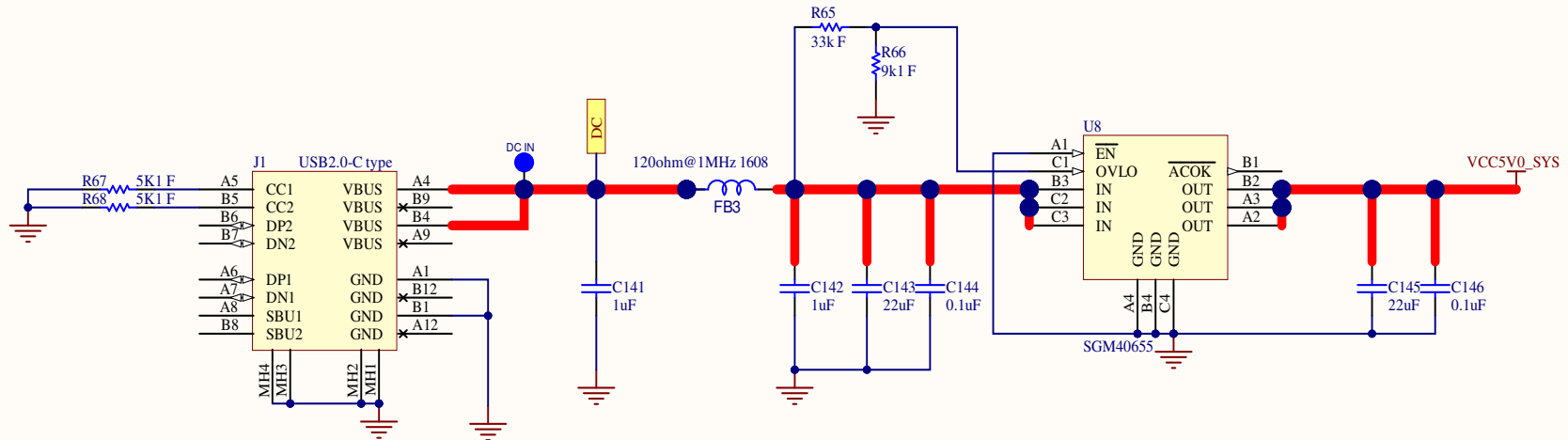



Title USB 2.0 Type A Connector			Hardkernel Co.,LTD. 1-605 Shinan Metrokhan 1115 Dalandong, Dongangu, Anyang Gyeonggido South Korea	
Size: A4	Number: 23	Revision: 0.3		
Date: 2023-10-16	Time: 오후 3:23:22	Sheet 23 of 41		
File: CON_USB_RA.SchDoc			Designed by: ruppi.kim@hardkernel.com	

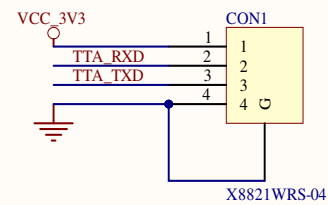
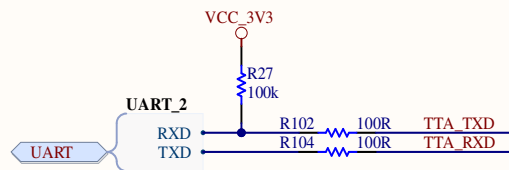



Title Giga Ethernet Connector			Hardkernel Co.,LTD. 475-1 Mananro Manangu, Anyang City Gyeonggido South Korea	
Size: A3	Number: 24	Revision: 0.1		
Date: 2023-10-16	Time: 오후 3:23:22	Sheet 24 of 41		
File: CON_GIGA_ETH.SchDoc			Designed by: ruppi.kim@hardkernel.com	

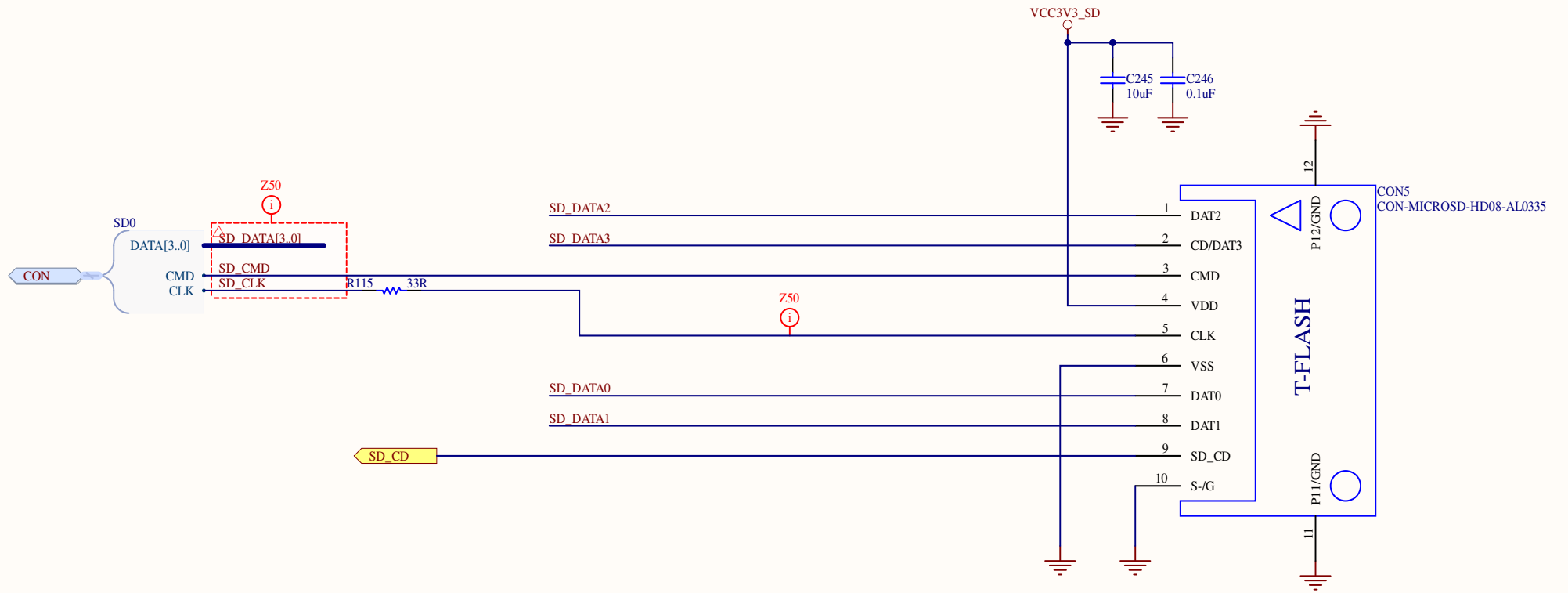





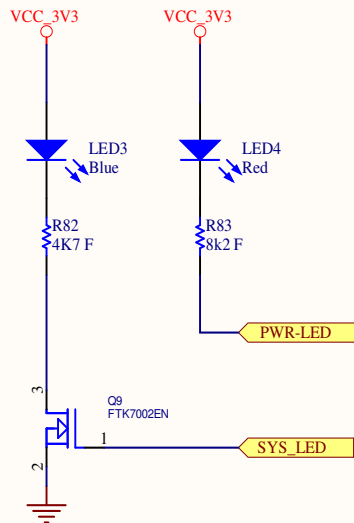
Title DC Jack			Hardkernel Co.,LTD. 475-1 Mananro Manangu, Anyang City Gyeonggido South Korea	
Size: A4	Number: 25	Revision: 0.1		
Date: 2023-10-16	Time: 오후 3:23:22	Sheet 25 of 41		
File: CON_DCJACK.SchDoc				



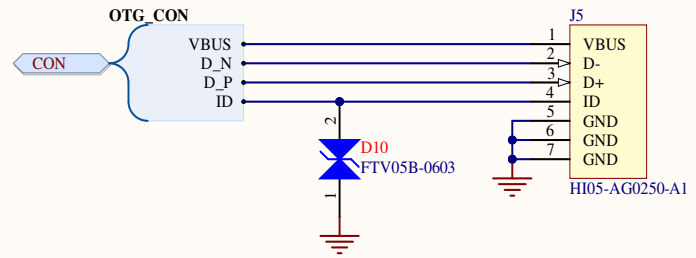
Title UART Connector			Hardkernel Co.,LTD. 475-1 Mananro Manangu, Anyang City Gyeonggido South Korea	
Size: A4	Number: 27	Revision: 0.1		
Date: 2023-10-16	Time: 오후 3:23:22	Sheet 27 of 41	Designed by: ruppi.kim@hardkernel.com	
File: CON_UART.SchDoc				



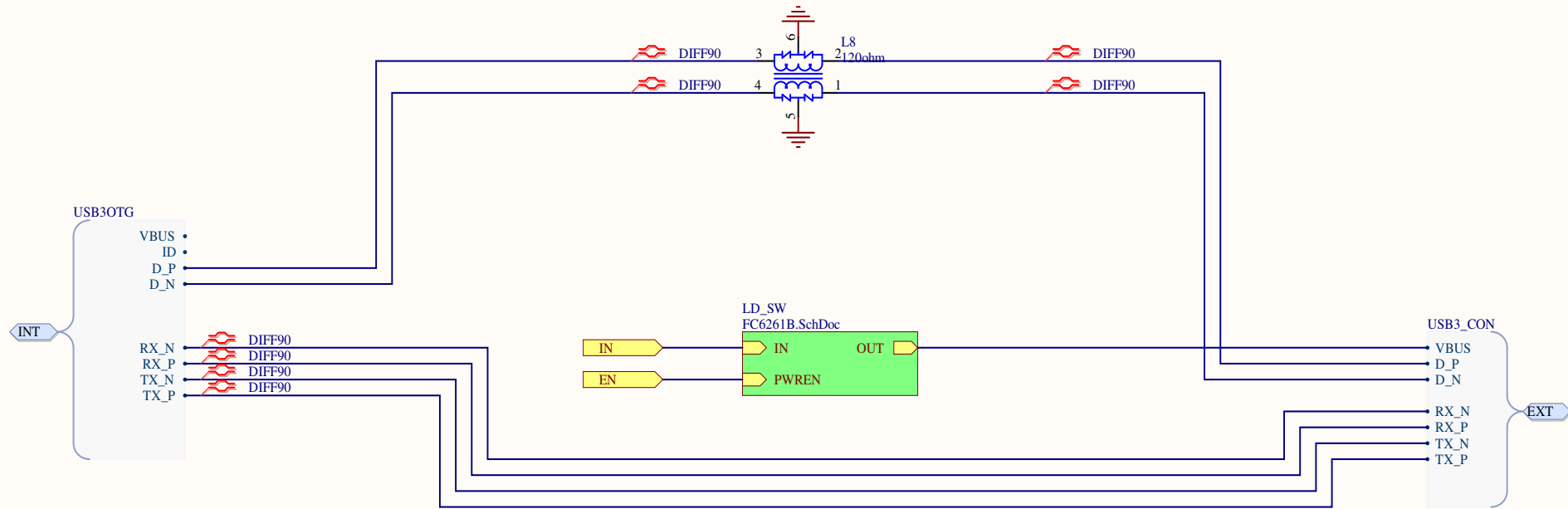
Title Micro SD Socket			Hardkernel Co.,LTD. 475-1 Mananro Manangu, Anyang City Gyeongido South Korea	
Size: A4	Number: 28	Revision: 0.1		
Date: 2023-10-16	Time: 오후 3:23:22	Sheet 28 of 41		
File: CON_MICROSD_HD08-AL00335.SchDoc			Designed by: ruppi kim@hardkernel.com	



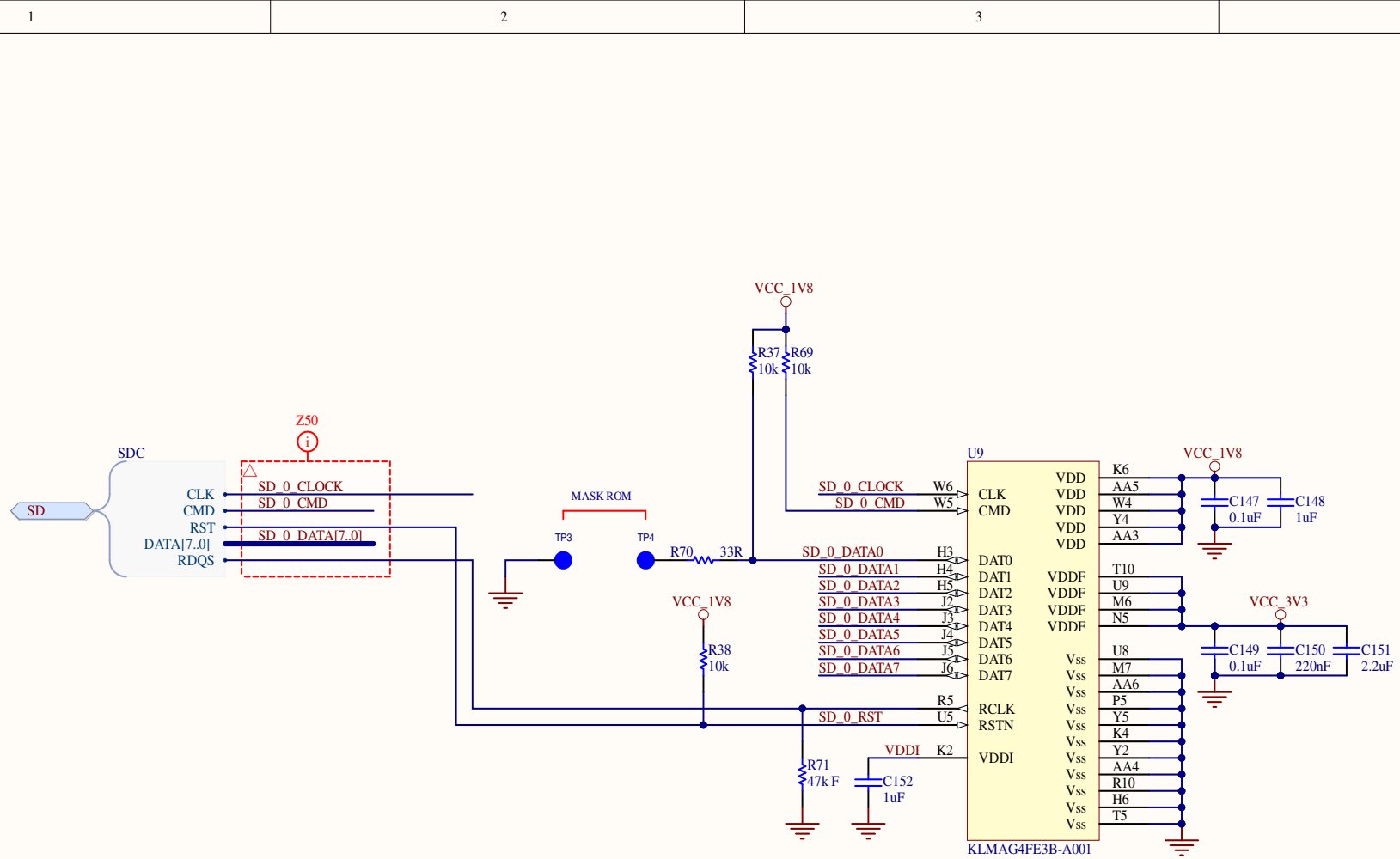
Title Indicator LEDs			Hardkernel Co.,LTD. 475-1 Mananro Manangu, Anyang City Gyeonggido South Korea	
Size: A4	Number: 29	Revision: 0.1		
Date: 2023-10-16	Time: 오후 3:23:22	Sheet 29 of 41	Designed by: ruppi.kim@hardkernel.com	
File: MIS_LEDS.SchDoc				



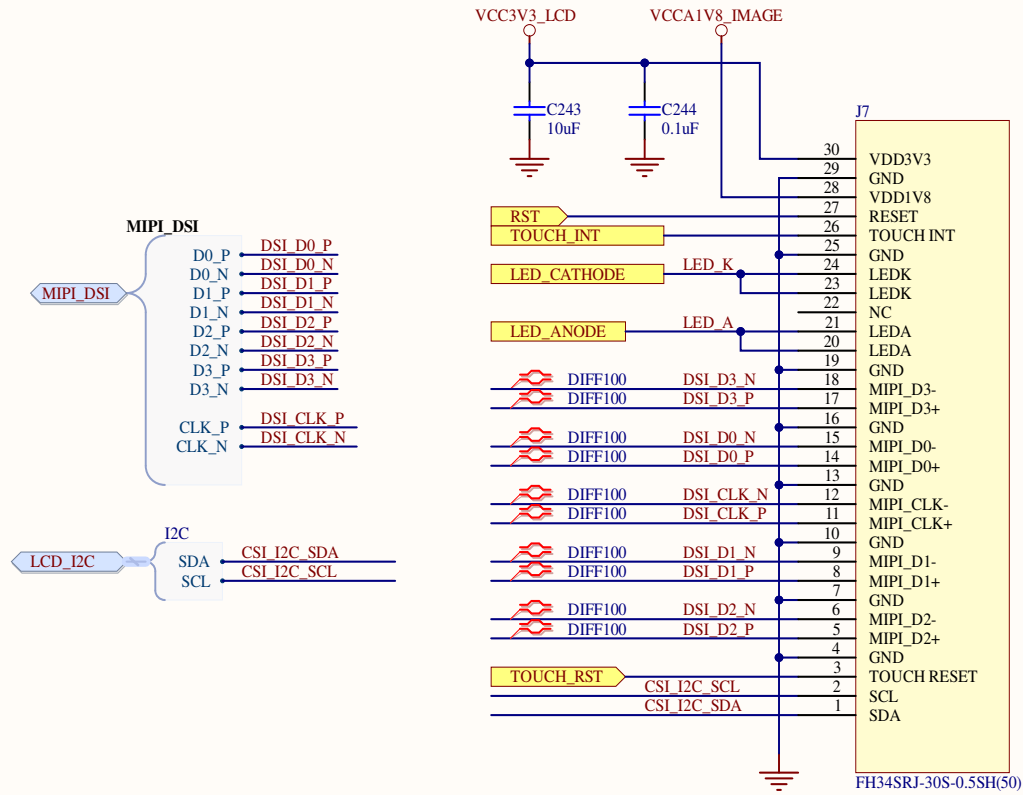
Title Micro USB Connector			Hardkernel Co.,LTD. 475-1 Mananro Manangu, Anyang City Gyeonggido South Korea		ODROID
Size: A4	Number: 31	Revision: 0.1			
Date: 2023-10-16	Time: 오후 3:23:22	Sheet 31 of 41			
File: CON_MicroUSB.SchDoc			Designed by: ruppi.kim@hardkernel.com		



Title USB3 BUS POWER			Hardkernel Co.,LTD. 475-1 Mananro Manangu, Anyang City Gyeonggido South Korea		ODROID
Size: A4	Number: 33	Revision: 0.1			
Date: 2023-10-16	Time: 오후 3:23:22	Sheet 33 of 41			
File: USB3_BUS_PWR2.SchDoc			Designed by: ruppi kim@hardkernel.com		

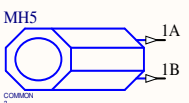
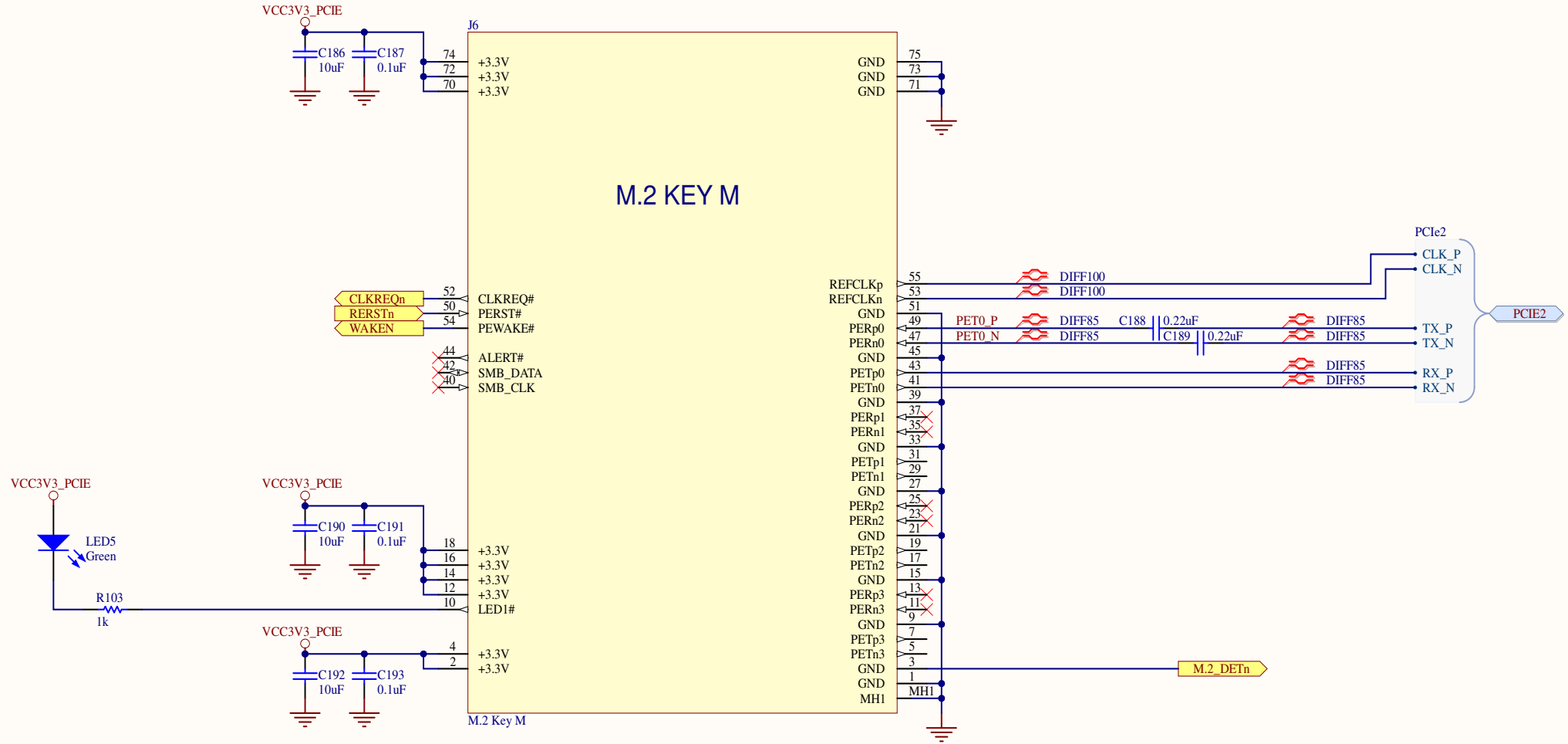


Title eMMC Connector			Hardkernel Co.,LTD. 475-1 Mananro Manangu, Anyang City Gyeonggido South Korea	
Size: A4	Number: 34	Revision: 0.1		
Date: 2023-10-16	Time: 오후 3:23:22	Sheet 34 of 41	Designed by: ruppi.kim@hardkernel.com	
File: EMMC.SchDoc				

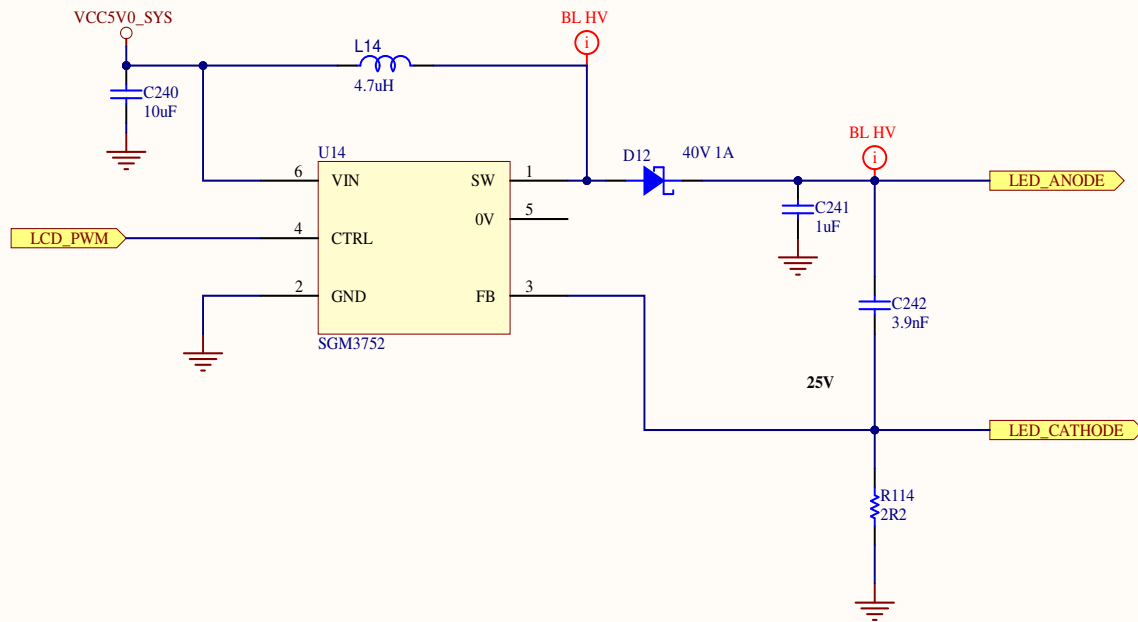


Title CON LCD KD50T048-A		Hardkernel Co.,LTD. 475-1 Mananro Manangu, Anyang City Gyeonggido South Korea		ODROID
Size: A4	Number: 35	Revision: 1.0		
Date: 2023-10-16	Time: 오후 3:23:22	Sheet 35 of 41		
File: CON_LCD_FH34SRJ-30S_MIPI.SchDoc			Designed by: *@hardkernel.com	

M.2 KEY M



Title M.2 KEY M Connector			Hardkernel Co.,LTD. 475-1 Mananro Manangu, Anyang City Gyeonggido South Korea		ODROID
Size: A4	Number: 37	Revision: 0.1			
Date: 2023-10-16	Time: 오후 3:23:22	Sheet 37 of 41			
File: CON_M2.SchDoc			Designed by: ruppi kim@hardkernel.com		



Title Backlight Driver			Hardkernel Co.,LTD. 475-1 Mananro Manangu, Anyang City Gyeonggido South Korea	ODROID
Size: A4	Number: 38	Revision:		
Date: 2023-10-16	Time: 오후 3:23:22	Sheet 38 of 41	Designed by: neal.kim@hardkernel.com	
File: BACKLIGHT_SGM3752.SchDoc				