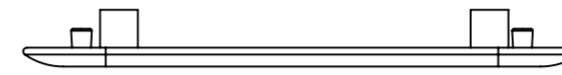
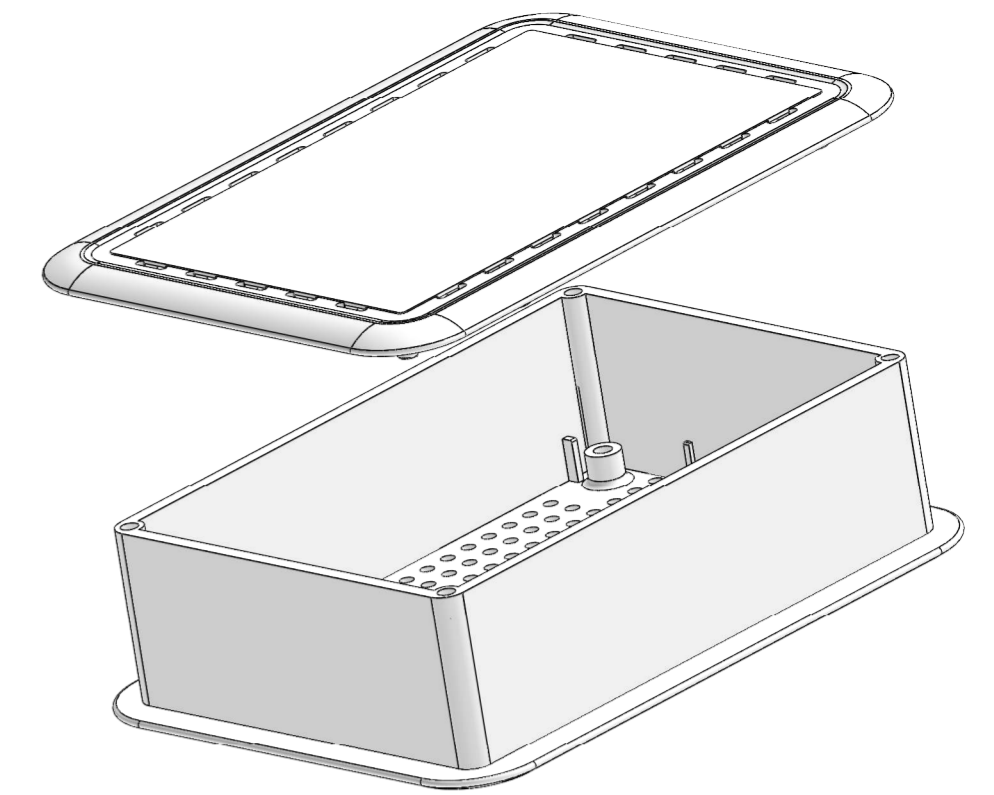


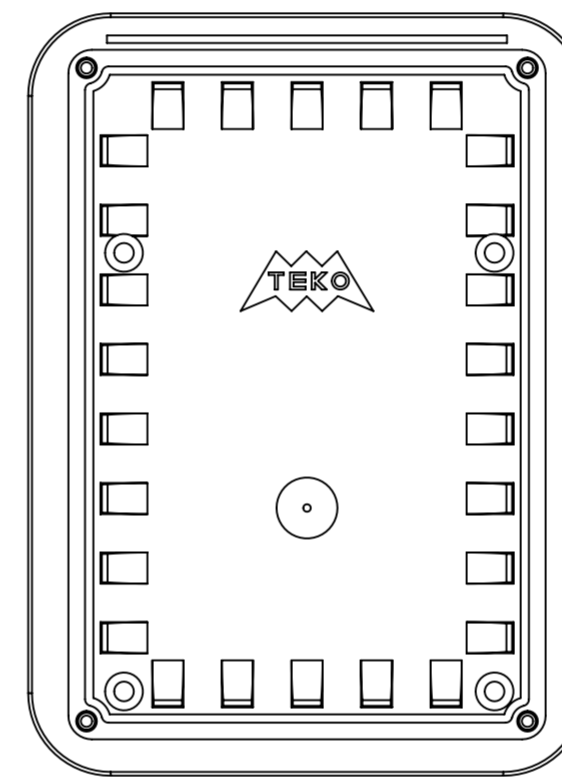
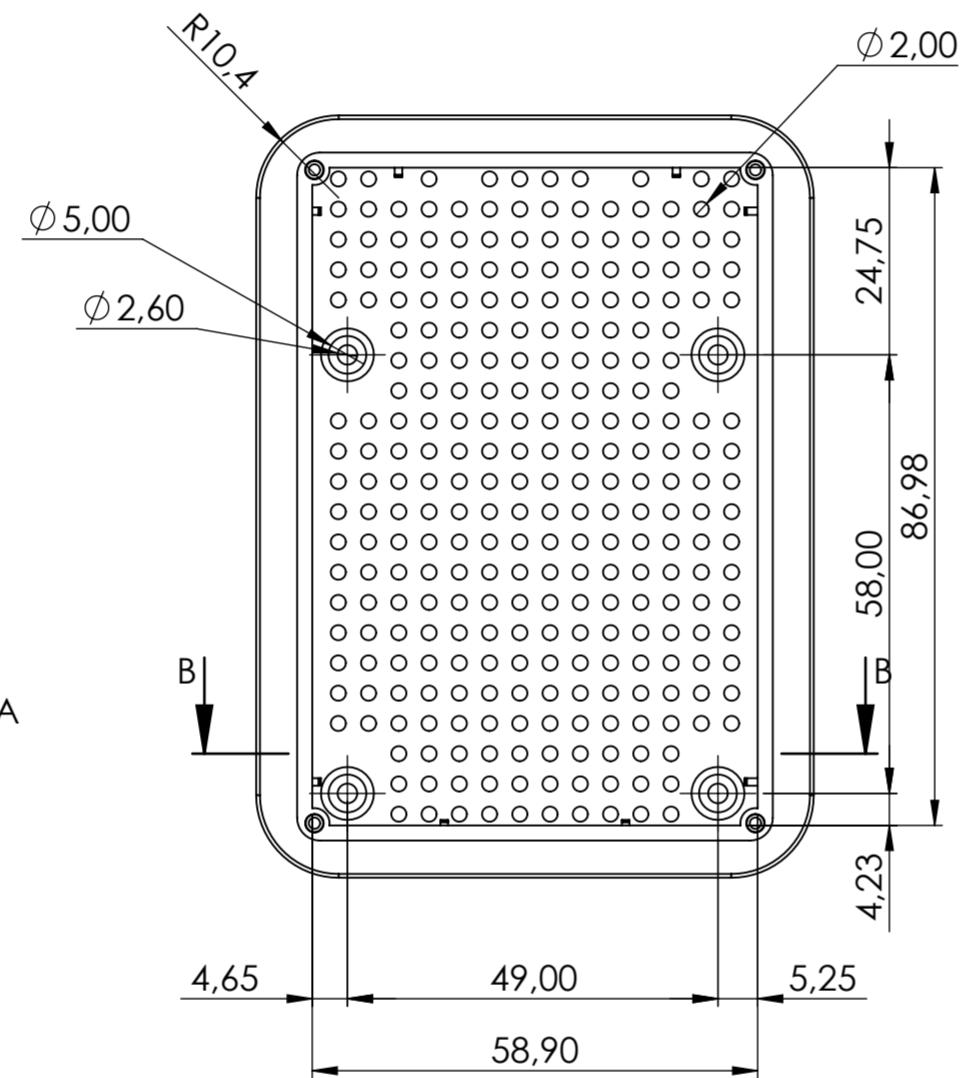
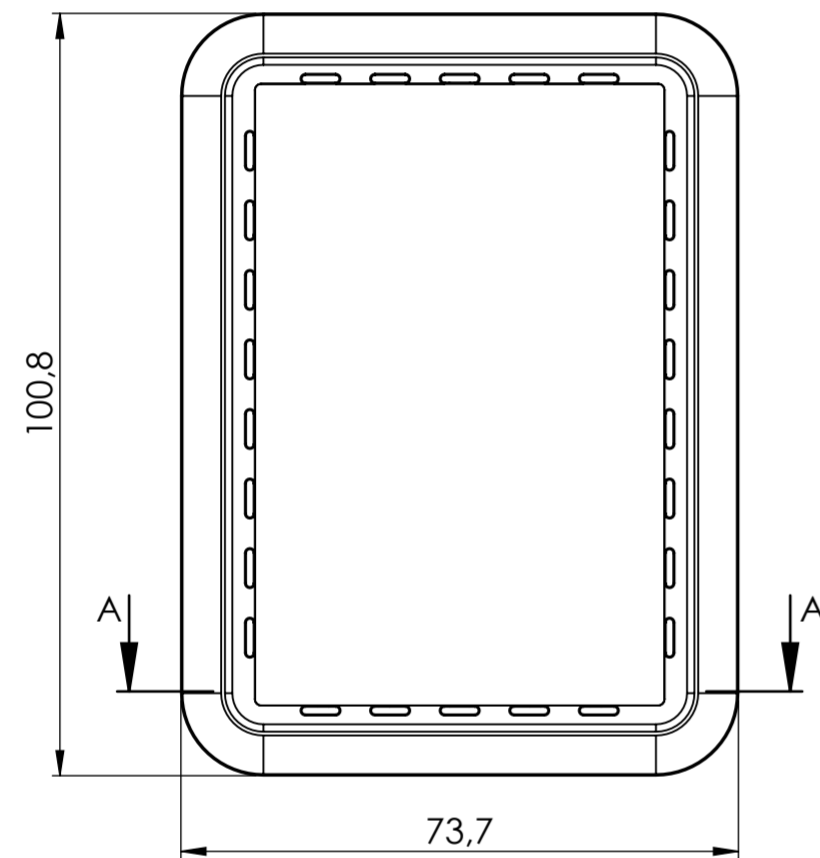
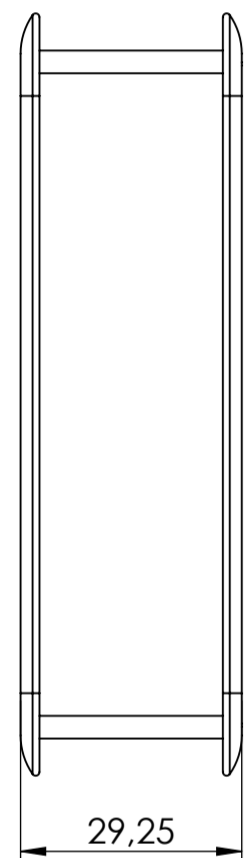
BOTTOM INTERNAL VIEW



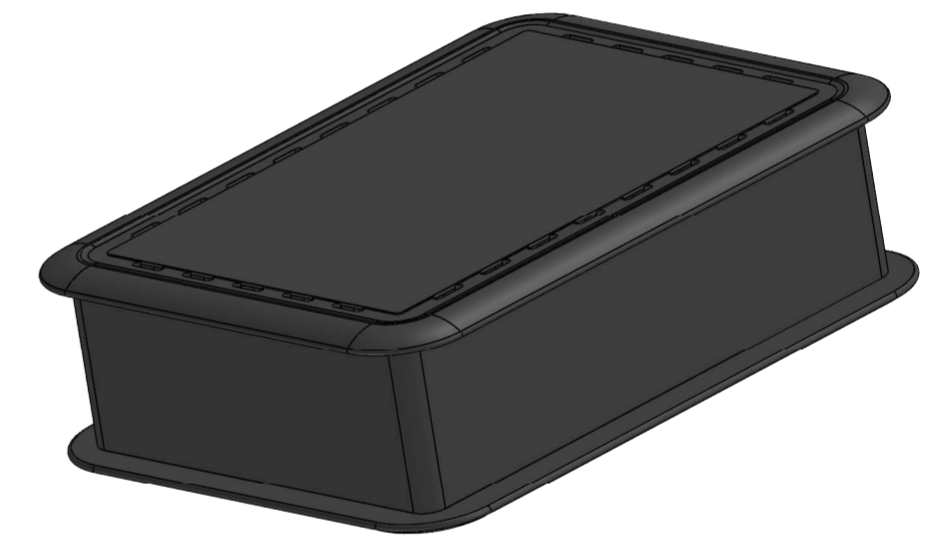
TOP INTERNAL VIEW



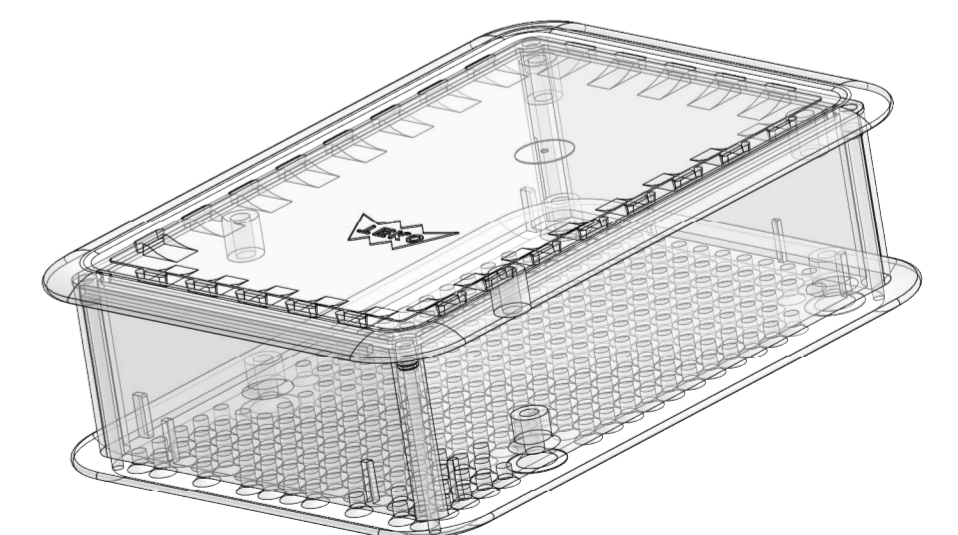
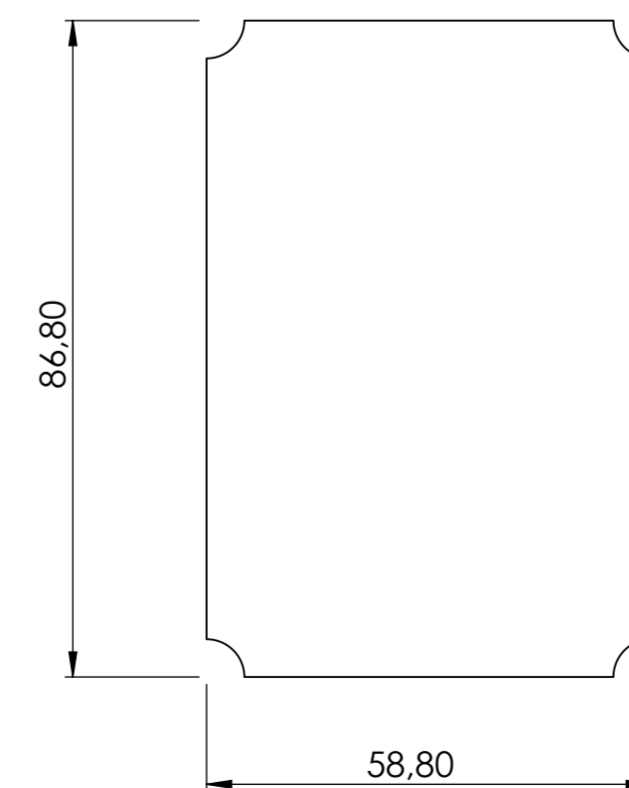
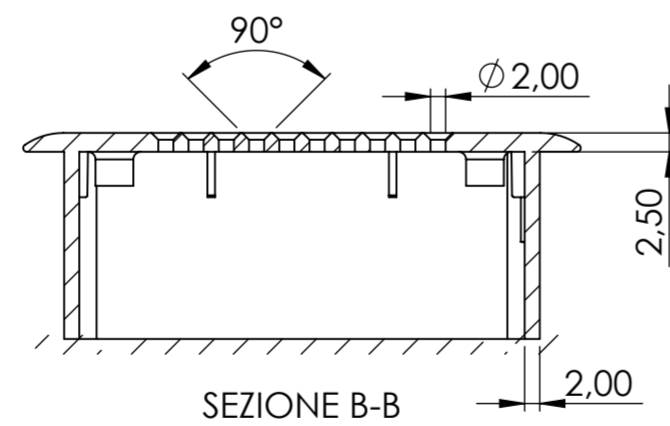
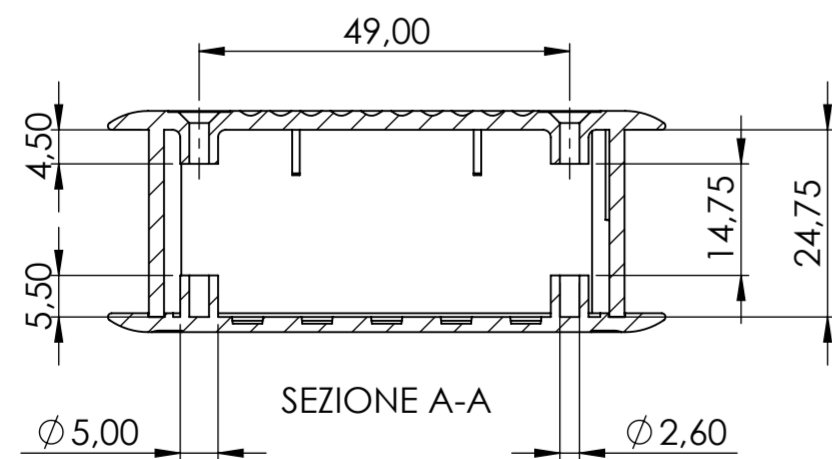
TEK-SBC.40



PCB MAX SIZE



TEK-SBC.9



TEK-SBC.0