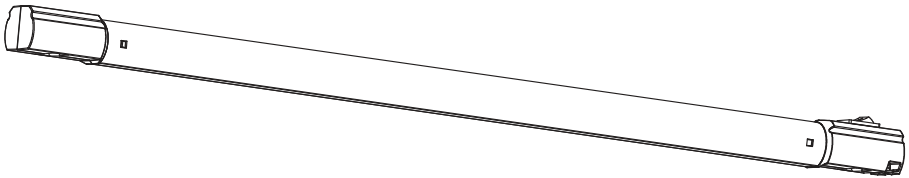


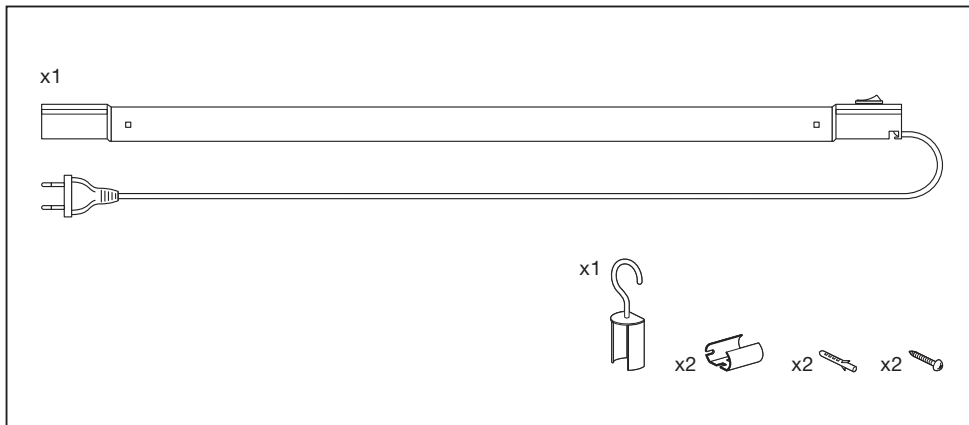
---

**TUBEKIT® LED**


---



	EAN	W	lm	K	°C	V <sub>ac</sub>	mA	Hz	PF	👤
<b>TUBEKITLED06 8.9W/830 230V G5</b>	4058075264991	8.9	900	3000	-20...+40	220-240	42	50/60	>0.9	200 g
<b>TUBEKITLED06 8.9W/840 230V G5</b>	4058075265011	8.9	990	4000	-20...+40	220-240	42	50/60	>0.9	200 g
<b>TUBEKITLED12 19W/830 230V G5</b>	4058075265035	19	1900	3000	-20...+40	220-240	82	50/60	>0.9	280 g
<b>TUBEKITLED12 19W/840 230V G5</b>	4058075265059	19	2090	4000	-20...+40	220-240	82	50/60	>0.9	280 g
<b>TUBEKITLED15 21,5W/830 230V G5</b>	4058075265073	21.5	2150	3000	-20...+40	220-240	92	50/60	>0.9	320 g
<b>TUBEKITLED15 21,5W/840 230V G5</b>	4058075265097	21.5	2365	4000	-20...+40	220-240	92	50/60	>0.9	320 g



mm

1800 mm

41.9 mm

113.5 mm

1 x

28 mm

35 mm

48 mm

2 x

26 mm

	L	W	H
<b>TUBEKIT LED 8.9W</b>	600	32	33.5
<b>TUBEKIT LED 19W</b>	1200	32	33.5
<b>TUBEKIT LED 21.5W</b>	1500	32	33.5

