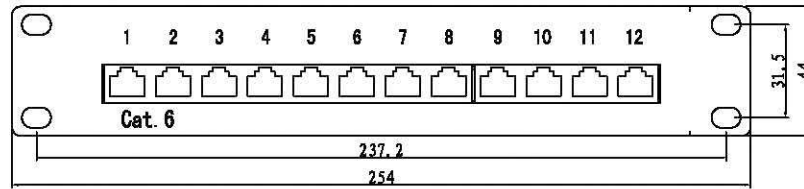
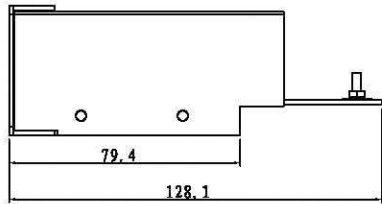


| ITEM NO. | COLOR |
|----------|-------|
| 723187 | GREY |
| 723189 | BLACK |



Specification:

Material:

- 1. Metal frame: SPCC.
- 2. Plastic Housing :ABS
- 3. RJ45 contact material & finished:
 - 3-1. Phosphor Bronze with Nickel plated.
 - 3-2. Contact area : Gold plated.

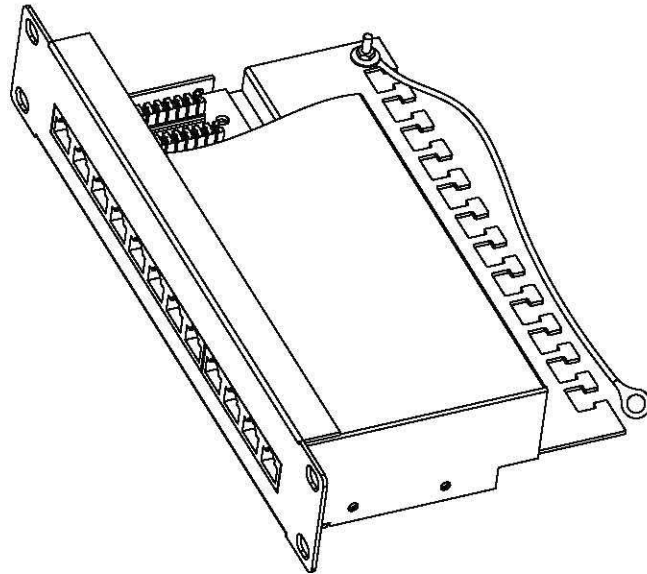
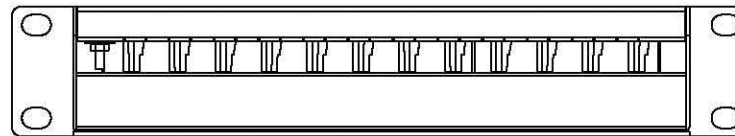
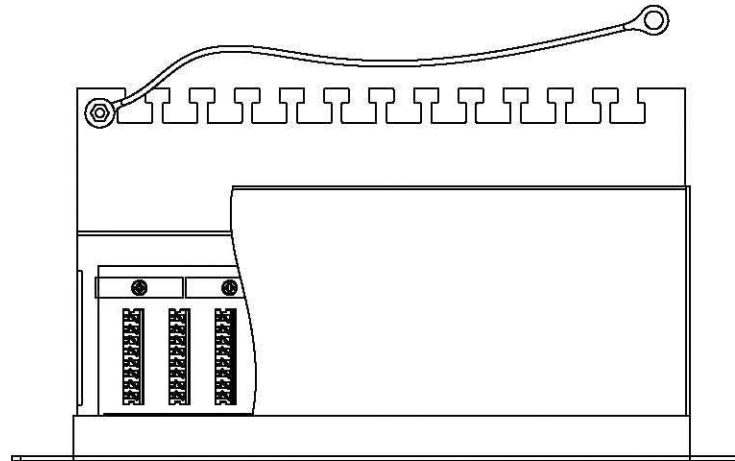
4. IDC Housing: PC

5. IDC Terminal material & finished:

- 5-1. Phosphor Bronze with Tin plated.
- 5-2. Krone tool compatible.
- 5-3. Suitable for 22-26 AWG stranded and solid wire.

Performance:

- a. The sticker color codes combine two wirings of T568A & T568B.
- b. Insertion Force: 900 gms for 8 contacts.
- c. Retention Strength: 7.7 kgs between Jack and Plug.
- d. Operation Temperature: -30, to 60,.
- e. Durability:
 - e-1. Jack : 750 cycles Plug-Jack mating and unmating test, Insertion cycles at 20 cycles/minute max. Contact resistance test per 100 cycles.
 - e-2. IDC : Max. 200 punching times.
- f. The Cat.6 performance is in compliance with the ANSI/TIA/EIA 568 C.2 standard.



| | | | | | | | | |
|------|--|---|--|----------------|---------------|--|-----------------------------|------------------|
| | | Tolerance: X. ±0.5 .X ±0.3 .XX ±0.10 | | SCALE: FREE | CUSTOMER: | | Approved by | |
| | | Angle: X° ±3° .X° ±1° | | UNIT: mm | CUSTOMER P/N: | | COMPANY P/N: | |
| REV. | | DESCRIPTION | | REV.: 00 | DWG. No.: | | TITLE: | |
| DATE | | | | SHEET | 1/1 | | 12 PORT PANTCH PANEL (CAT6) | |
| | | | | | | | | Checked by |
| | | | | | | | | Design by XJH |