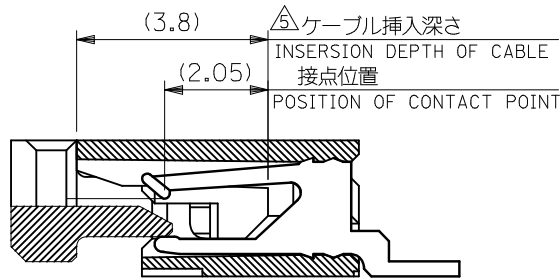


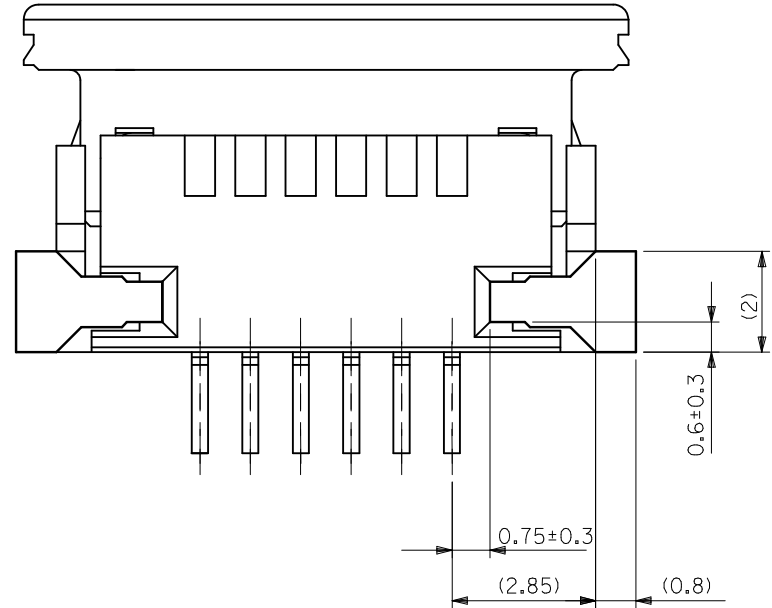
38.7	35.2	33	52207-3417	34
34.7	31.2	29	-3017	30
33.7	30.2	28	-2917	29
32.7	29.2	27	-2817	28
31.7	28.2	26	-2717	27
29.7	26.2	24	-2517	25
28.7	25.2	23	-2417	24
26.7	23.2	21	-2217	22
24.7	21.2	19	-2017	20
23.7	20.2	18	-1917	19
22.7	19.2	17	-1817	18
21.7	18.2	16	-1717	17
20.7	17.2	15	-1617	16
19.7	16.2	14	-1517	15
18.7	15.2	13	-1417	14
17.7	14.2	12	-1317	13
16.7	13.2	11	-1217	12
15.7	12.2	10	-1117	11
14.7	11.2	9	-1017	10
13.7	10.2	8	-0917	9
12.7	9.2	7	-0817	8
11.7	8.2	6	-0717	7
10.7	7.2	5	-0617	6
7.7	4.2	2	52207-0317	3
C	B	A	MATERIAL NO.	極数 CKT.

- 注記 NOTES
- △ 接点部までの嵌合長さ。 LENGTH TO CONTACT POINT.
 2. 使用材料 MATERIAL
 ハウジング : 46ナイロン (耐熱性), UL94V-0
 HOUSING : 46NYLON, UL94V-0
 アクチュエータ : PPS, UL94V-0
 ACTUATOR : PPS, UL94V-0
 ターミナル : リン青銅, 半田メッキ (t=0.32)
 TERMINAL : PHOS-BRO., TIN-LEAD PLATED (t=0.32)
 金具 : 銅合金, 半田メッキ (t=0.25)
 FITTING NAIL : COPPER ALLOY, TIN-LEAD PLATED (t=0.25)
 - △ パターンはくり止め用金具
 FITTING NAIL FOR PREVENTION OF PEELING OF P.C.B.PATTERN.
 4. エンボステープ梱包時は、アクチュエータがロックした状態とする。
 IN THE PACKAGE, ACTUATOR OF PART NO. 52207-**17 SHOULD BE LOCKED.
 - △ ケーブル挿入深さ
 INSERTION DEPTH OF CABLE.
 - △ パターン書き込み禁止エリア。
 NO FOOT PRINT AREA.

REVISED EC NO: J2014-0628 2013/10/09 DRWN: INOUE01 CHKD: HIJIMA 2013/10/09 APPR: YNOGAWA 2013/10/18	GENERAL TOLERANCES (UNLESS SPECIFIED)		DIMENSION STYLE MM ONLY	SCALE ---	DESIGN UNITS METRIC	THIRD ANGLE PROJECTION
	10 UNDER	±0.2	DRAWN BY MTAKAHASHI04	DATE 2013/07/24	TITLE 1.0 FPC CONN. ZIF SMT (SHEET 1 OF 2)	
	10 OVER 30 UNDER	±0.25	CHECKED BY KTAKAHASHI	DATE 2013/07/24		
	30 OVER	±0.3	APPROVED BY YNOGAWA	DATE 2013/10/07		
A	ANGULAR ±3 °	DRAFT WHERE APPLICABLE MUST REMAIN WITHIN DIMENSIONS	MATERIAL NO. SEE CHART	THIS DRAWING CONTAINS INFORMATION THAT IS PROPRIETARY TO MOLEX INCORPORATED AND SHOULD NOT BE USED WITHOUT WRITTEN PERMISSION		

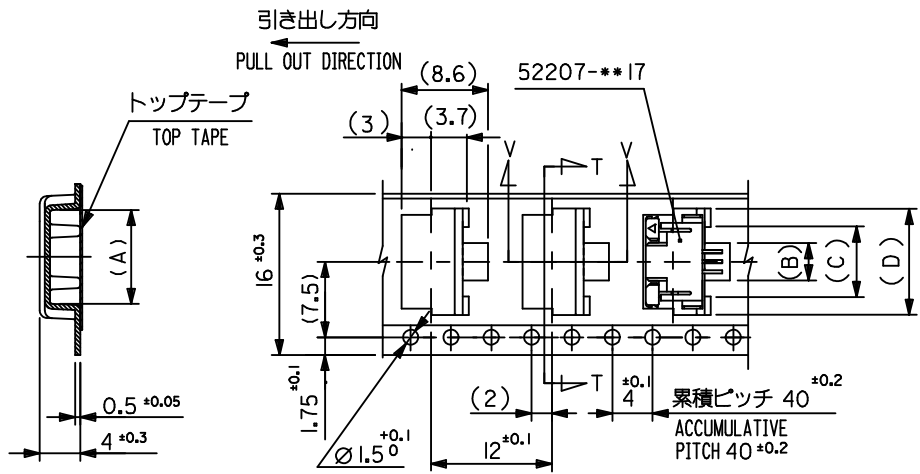


断面D-D
SECT.D-D



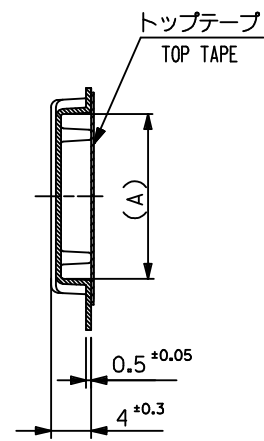
下面図
BOTTOM VIEW

REVISED EC NO: J2014-0628 2013/10/09 DRWN: INOUE01 CHKD: HIJIMA APPR: YNOGAWA 2013/10/18	DESCRIPTION A	GENERAL TOLERANCES (UNLESS SPECIFIED)		DIMENSION STYLE MM ONLY		SCALE ---	DESIGN UNITS METRIC	THIRD ANGLE PROJECTION	
		10 UNDER	±0.2	DRAWN BY MTAKAHASHI04	DATE 2013/07/24	TITLE 1.0 FPC CONN ZIF SMT SHEET 2 OF 2			
		10 OVER 30 UNDER	±0.25	CHECKED BY KTAKAHASHI	DATE 2013/07/24				
		30 OVER	±0.3	APPROVED BY YNOGAWA	DATE 2013/10/07				
ANGULAR ±3 °		DRAFT WHERE APPLICABLE MUST REMAIN WITHIN DIMENSIONS		MATERIAL NO. SEE SHEET 1 OF 2		DOCUMENT NO. SD-52207-071		SHEET NO. 2 OF 2	
SIZE A3		THIS DRAWING CONTAINS INFORMATION THAT IS PROPRIETARY TO MOLEX INCORPORATED AND SHOULD NOT BE USED WITHOUT WRITTEN PERMISSION							

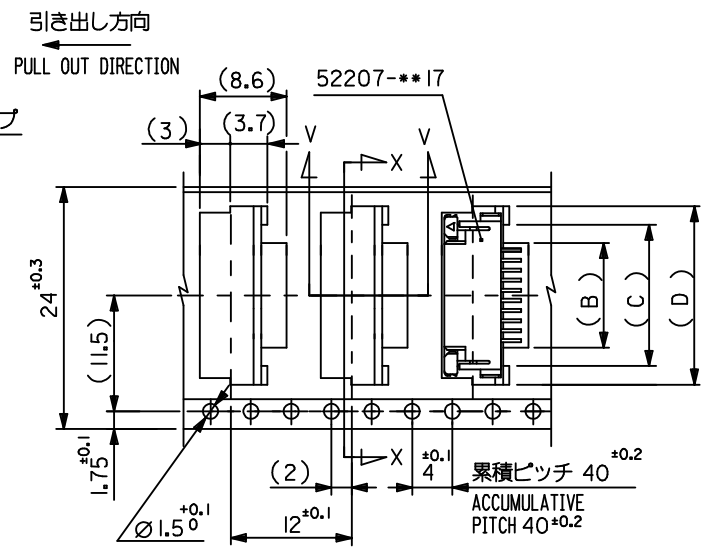


SECT:T-T

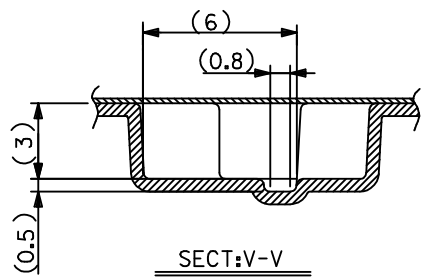
16mm 幅 キャリアテープ
16mm WIDTH CARRIER TAPE



SECT:X-X



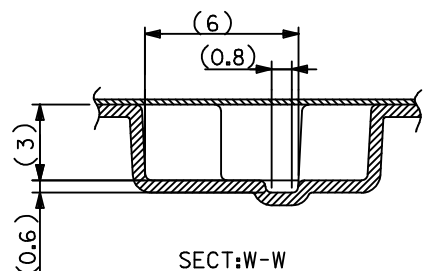
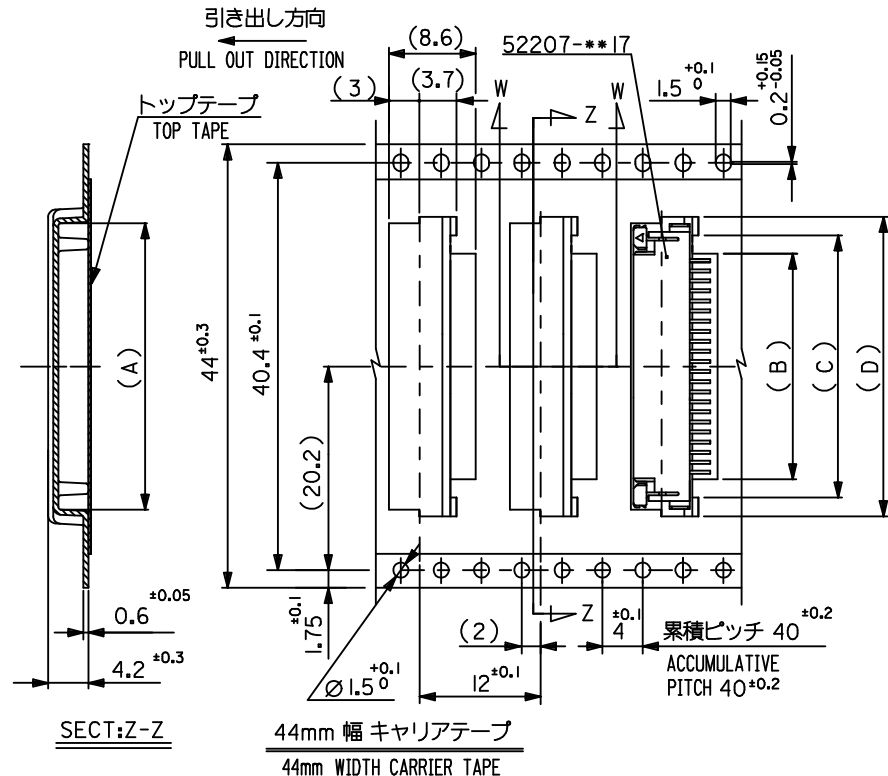
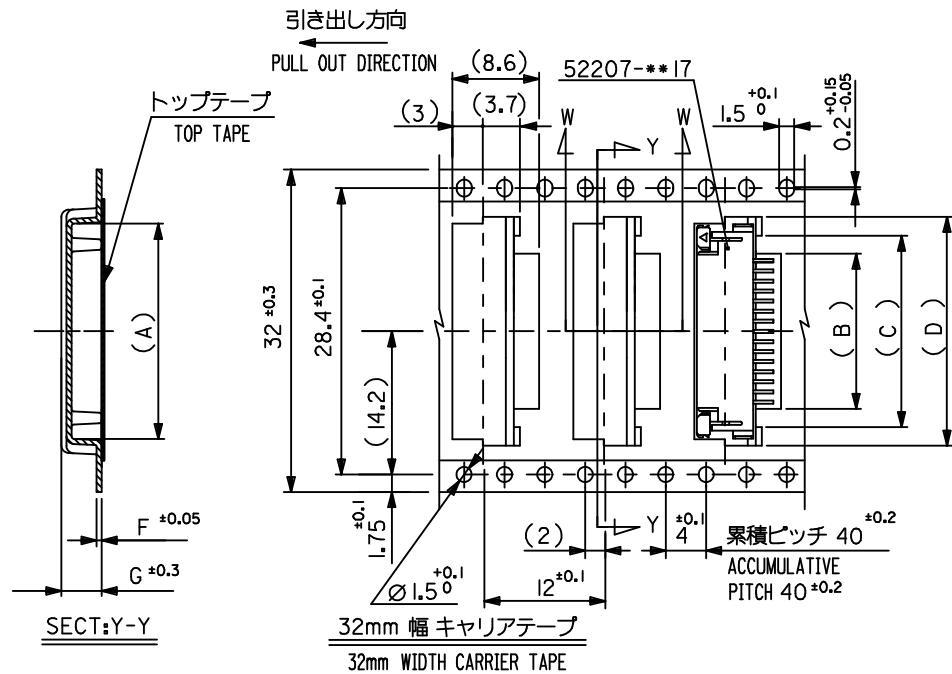
24mm 幅 キャリアテープ
24mm WIDTH CARRIER TAPE



SECT:V-V

24	25.5	18.5	15	11.7	17.3	52207-1190	11
		17.5	14	10.7	16.3	4 -1090	10
		16.5	13	9.7	15.3	-0990	9
		15.5	12	8.7	14.3	-0890	8
		14.5	11	7.7	13.3	-0790	7
		13.5	10	6.7	12.3	-0690	6
16	17.5	10.5	7	3.7	9.3	52207-0390	3
キャリアテープ幅 CARRIER TAPE WIDTH	E	(D)	(C)	(B)	(A)	ENG. NO.	極致 CKT.

REVISED EC NO: J2014-0628 2013/10/09 DRWN: INOUE01 2013/10/09 CHKD: HIJIMA 2013/10/09 APPR: YNOGAWA 2013/10/18	GENERAL TOLERANCES (UNLESS SPECIFIED)	DIMENSION STYLE MM ONLY	SCALE ---	DESIGN UNITS METRIC	THIRD ANGLE PROJECTION	
	10 UNDER ± --- 10 OVER 30 UNDER ± --- 30 OVER ± --- ANGULAR ± --- °	DRAFT WHERE APPLICABLE MUST REMAIN WITHIN DIMENSIONS	DRAWN BY DATE MTAKAHASHI 04 2013/07/24 CHECKED BY DATE KTAKAHASHI 2013/07/24 APPROVED BY DATE YNOGAWA 2013/10/07	TITLE EMBOSSED TAPE PACKAGE FOR 52207-***17 SHEET 1 OF 3		
	SEE CHART		MATERIAL NO.		DOCUMENT NO. SD-52207-072	SHEET NO. 1 OF 3
	THIS DRAWING CONTAINS INFORMATION THAT IS PROPRIETARY TO MOLEX INCORPORATED AND SHOULD NOT BE USED WITHOUT WRITTEN PERMISSION					

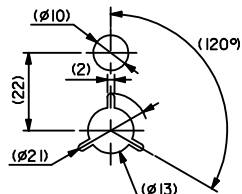
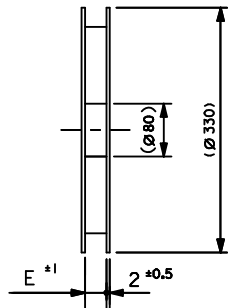
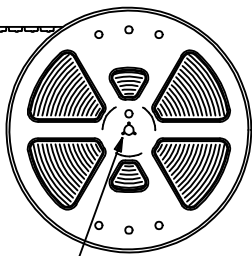


32	33.5	4.0	0.5	23.5	20	16.7	22.35	52207-1690	16
		4.2	0.6	22.5	19	15.7	21.35	4 -1590	15
		4.2	0.6	21.5	18	14.7	20.35	-1490	14
		4.2	0.6	20.5	17	13.7	19.35	7 -1390	13
		4.2	0.6	19.5	16	12.7	18.35	52207-1290	12
キャリアテープ幅 CARRIER TAPE WIDTH	E	(G)	(F)	(D)	(C)	(B)	(A)	ENG. NO.	極致 CKT.

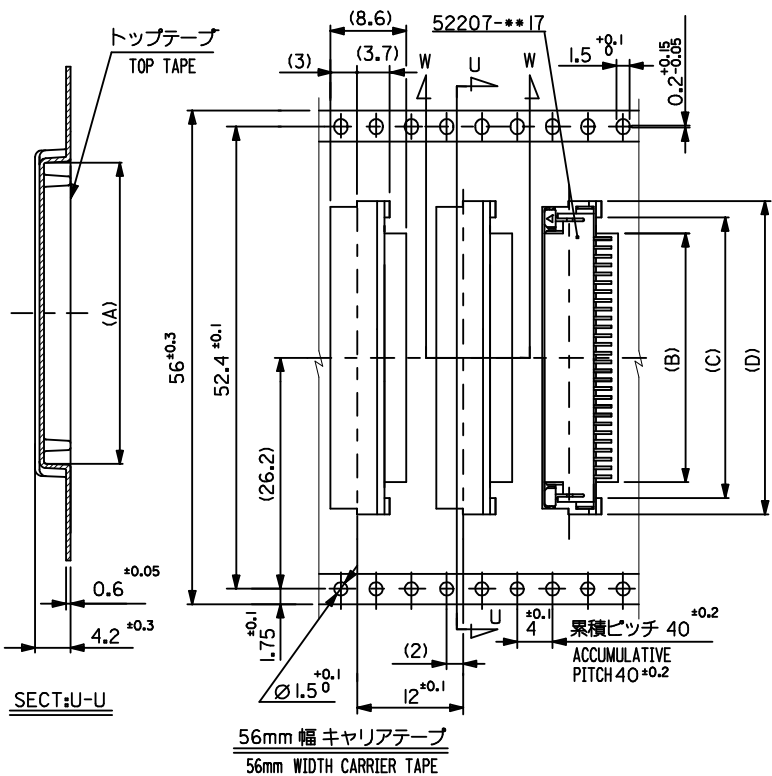
44	45.5	34.5	31	27.7	33.35	52207-2790	27
		32.5	29	25.7	31.35	4 -2590	25
		31.5	28	24.7	30.35	-2490	24
		29.5	26	22.7	28.35	-2290	22
		27.5	24	20.7	26.35	-2090	20
		26.5	23	19.7	25.35	-1990	19
		25.5	22	18.7	24.35	7 -1890	18
24.5	21	17.7	23.35	52207-1790	17		
キャリアテープ幅 CARRIER TAPE WIDTH	E	(D)	(C)	(B)	(A)	ENG. NO.	極致 CKT.

REVISED EC NO: J2014-0628 2013/10/09 DRWN: INOUE01 2013/10/09 CHKD: H I JIMA 2013/10/09 APPR: YNOGAWA 2013/10/18	DESCRIPTION GENERAL TOLERANCES (UNLESS SPECIFIED) 10 UNDER ± --- 10 OVER 30 UNDER ± --- 30 OVER ± --- ANGULAR ± --- ° DRAFT WHERE APPLICABLE MUST REMAIN WITHIN DIMENSIONS	DIMENSION STYLE MM ONLY	SCALE ---	DESIGN UNITS METRIC	THIRD ANGLE PROJECTION		
		DRAWN BY MTAKAHASHI	DATE 104 2013/07/24	TITLE EMBOSSED TAPE PACKAGE FOR 52207-**17 SHEET 2 OF 3			
		CHECKED BY KTAKAHASHI	DATE 2013/07/24	MATERIAL NO. SEE CHART			
		APPROVED BY YNOGAWA	DATE 2013/10/07	DOCUMENT NO. SD-52207-072	SHEET NO. 2 OF 3		

引き出し方向
PULL OUT DIRECTION



DETAIL "F"

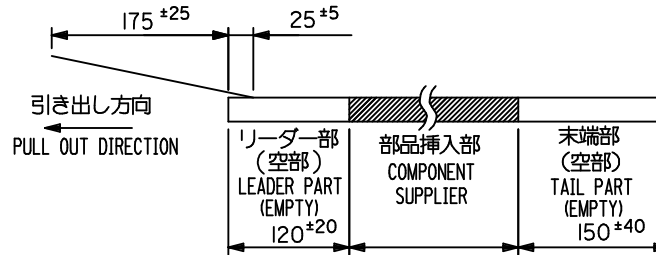


56mm 幅 キャリアテープ
56mm WIDTH CARRIER TAPE

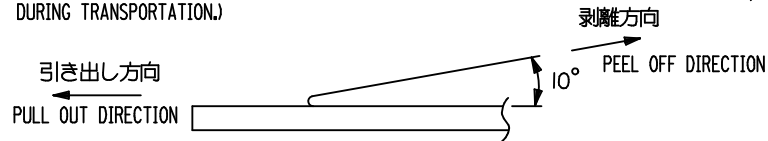
注記

- 製品番号 52207-***17 の梱包状態はアクチュエータがロックした状態とする。
詳細寸法については図面 SD-52207-071 を参照下さい。
IN THE PACKAGE, ACTUATOR OF PART NO.52207-***17 SHOULD BE LOCKED
RE DETAILED DIMENSIONS, SEE SD-52207-071
- 梱包数量：1000個/リール
NUMBER OF CONNECTORS : 1000PCS/REEL
- リードテープ長さ(LEAD TAPE LENGTH)

トップテープ TOP TAPE トップテープ TOP TAPE
リーダー部 LEADER PART 未接着部 NON-BONDED PART



- トップテープの剥離強度：(剥離方向は下図参照)
60gf MAX. 尚、本規格値は、出荷時に適用。(但し、輸送時に剥離が発生しない事。)
PEELING OFF FORCE OF TOP TAPE : 60gf MAX. (PEELING DIRECTION AS SHOWN IN FOLLOWING FIG.)
THIS REQUIREMENT SHOULD BE APPLIED AT SHIPMENT. (PEEL OFF SHOULD NOT BE ALLOWED, DURING TRANSPORTATION.)



- 材料 (MATERIAL)
キャリアテープ (CARRIER TAPE) : ポリプロピレン (POLYPROPYLENE)
トップテープ (TOPTAPE) : PET, PE, PEF
リール (REEL) : ポリスチレン (PS) <リサイクル材を含む>
POLYSTYREN (PS) <RECYCLE MATERIAL CONTAINED>

56	57.5	41.5	38	34.7	40.35	52207-3490	34
		37.5	34	30.7	36.35	52207-3090	30
		36.5	33	29.7	35.35	52207-2990	29
		35.5	32	28.7	34.35	52207-2890	28
キャリアテープ幅 CARRIER TAPE WIDTH	E	(D)	(C)	(B)	(A)	ENG. NO.	極致 CKT.

REVISED EC NO: J2014-0628 2013/10/09 DRWNN:INOUE01 2013/10/09 CHKD:H IJIMA 2013/10/09 APPR:YNOGAWA 2013/10/18	DESCRIPTION REV	GENERAL TOLERANCES (UNLESS SPECIFIED)		DIMENSION STYLE MM ONLY		SCALE ---	DESIGN UNITS METRIC	THIRD ANGLE PROJECTION	
		10 UNDER	± ---	DRAWN BY MTAKAHASHI	DATE 04 2013/07/24	TITLE EMBOSSED TAPE PACKAGE FOR 52207-***17 SHEET 3 OF 3			
		10 OVER 30 UNDER	± ---	CHECKED BY KTAKAHASHI	DATE 2013/07/24				
		30 OVER	± ---	APPROVED BY YNOGAWA	DATE 2013/10/07				
ANGULAR		± --- °		MATERIAL NO.		DOCUMENT NO.		SHEET NO.	
DRAFT WHERE APPLICABLE MUST REMAIN WITHIN DIMENSIONS		SEE CHART		SD-52207-072		3 OF 3			
A		A3		THIS DRAWING CONTAINS INFORMATION THAT IS PROPRIETARY TO MOLEX INCORPORATED AND SHOULD NOT BE USED WITHOUT WRITTEN PERMISSION					