



# LogiLink®

Alumium Monitor Desk Mount  
with Gas Spring  
for 17-49" Flat & Curved Monitor

Art. No.: BP0168



This strong monitor desk mount can securely hold monitors up to 49" and weight up to 20 kg. With easy topside installation and operation, its great to use in offices and homes.



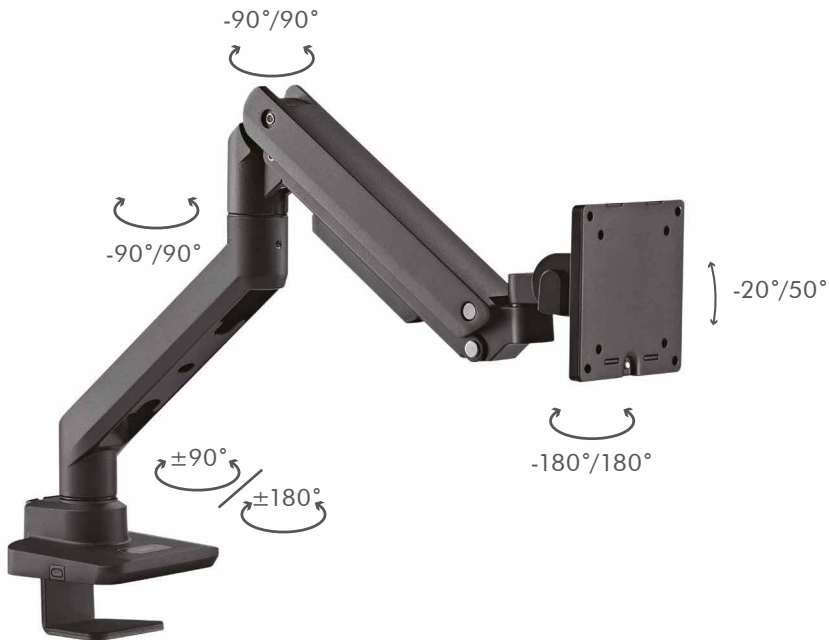
\*The specifications and pictures are subject to change without prior notice.  
\*All trade names referenced are the registered trademarks of their respective owners.



BP0168



Made in China



## Desk Mount for Large Monitors

Easily reposition large curved/flat monitors up to 49".



### Smooth & Flexible Adjustment

Built-in gas spring mechanism offers exceptional range of motion to effortlessly swivel and tilt to your desired position.

### Quick & Easy Installation

Detachable VESA plate design with top-side installation provides a seamless setup above the desk surface.



### Durable & Steady Construction

The high-quality mount ensures durability and stability; supporting monitor weights up to 20 kg. Integrated cable management creates a clean and tidy appearance.



\*The specifications and pictures are subject to change without prior notice.  
\*All trade names referenced are the registered trademarks of their respective owners.



BP0168



Made in China

## 180° Rotation Stop

Selectable 180°/360° movement to avoid the monitor arm from swinging into walls.



## Clamp or Grommet Mounting

The monitor mount can be installed with clamp or grommet mounting.



## Specifications:

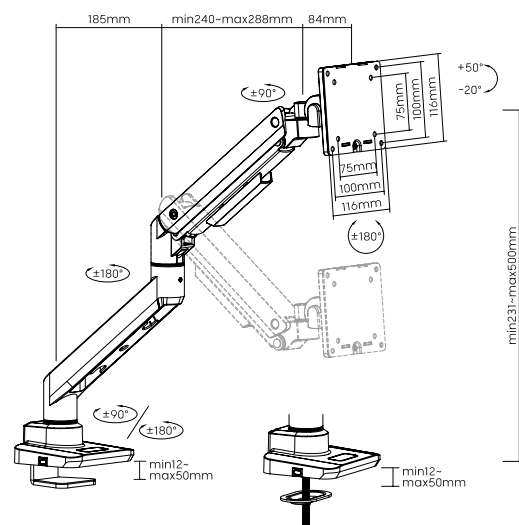
Screen Size	17–49"
Weight Capacity	Up to 20 kg
VESA Compatible	75x75, 100x100
Arm Full Extension	47.3 cm
Tilt Range	+50°/-20°
Swivel Range	+90°/-90°
Screen Rotation	+180°/-180°
Materials	Aluminum, steel, plastic
Installation Methods	Desk clamp or grommet mount
Suggested Desktop Thickness	1.2–5 cm
Dimensions	13.2 x 55.8 x 57.5 cm

## Package Contents:

- » 1 x Monitor Desk Mount
- » 1 x Screw Package
- » 1 x User Manual

## Package Information:

- » Packing Dimension: 418 x 194 x 110 mm
- » Packing Weight: 4.08 kg
- » Carton Dimension: 435 x 410 x 240 mm
- » Carton Q'ty: 4 pcs
- » Carton Weight: 17.1 kg



\*The specifications and pictures are subject to change without prior notice.  
\*All trade names referenced are the registered trademarks of their respective owners.



BP0168



Made in China