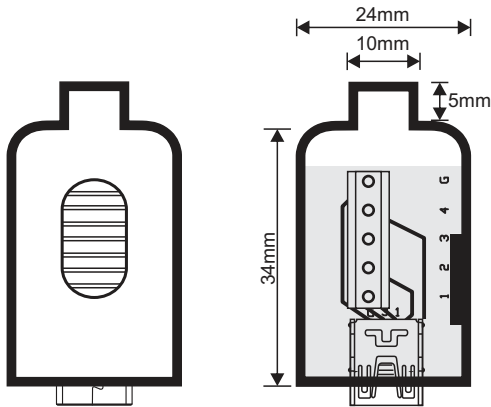
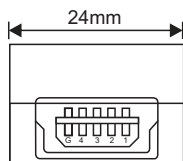
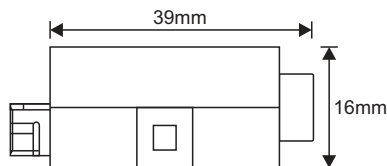


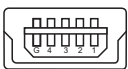
Mini USB 2.0 Female Connector modular

Item No. 2001C207



Screwdriver Included



	1	2	3	4	5
	VBUS	D-	D+	ID	GND



Material:
Housing: PP
Insulator: PBT
Connector shell: SPCC with plated Ni 40µ min.
Contact: Brass with plated Au 1µ
Technical:
Voltage rating: 30V max.
Current rating: 1.0A max.
Contact resistance: 500mΩ max.
Insulation resistance: 100MΩ min.
Dielectric withstanding voltage: 100V/AC(R.M.S)
Operation temperature: -20 ~85°C