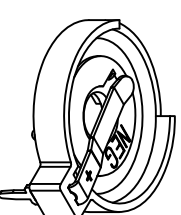
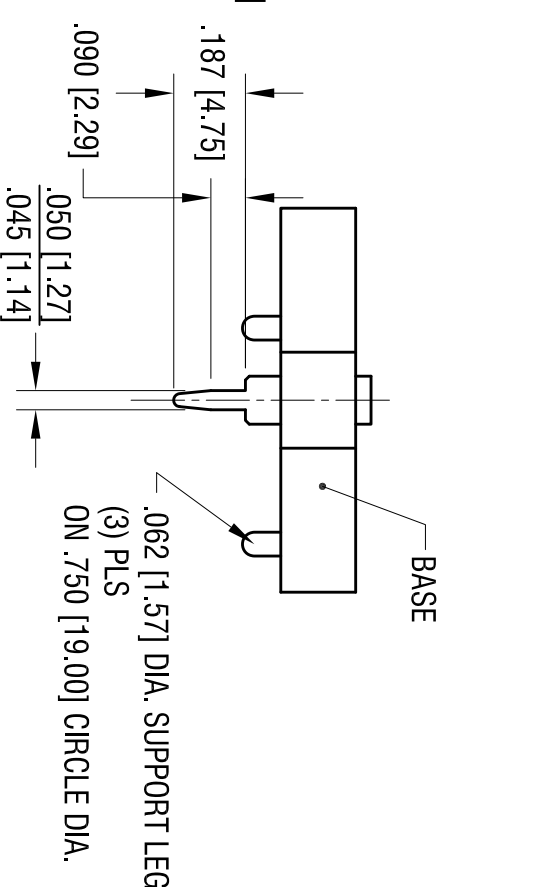
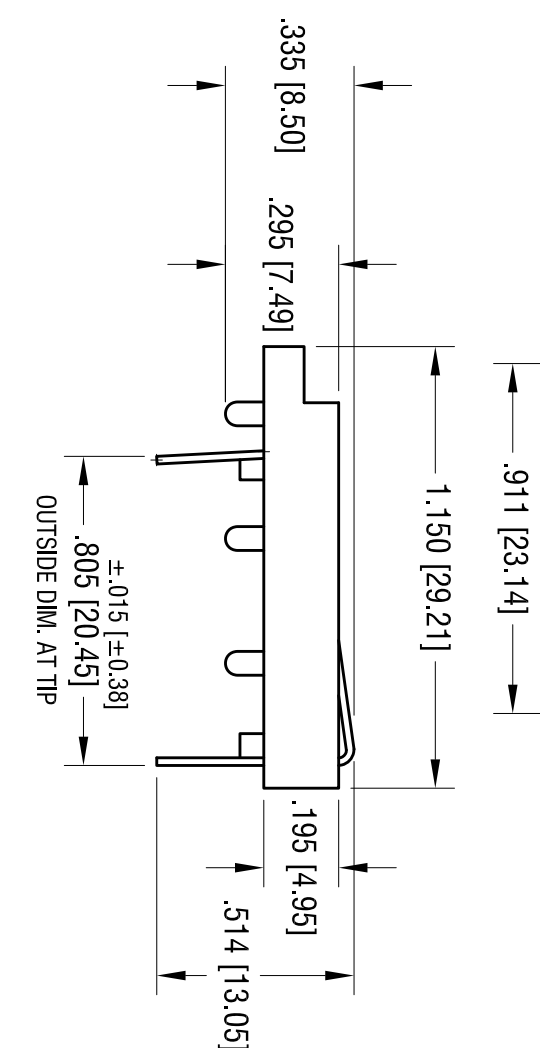
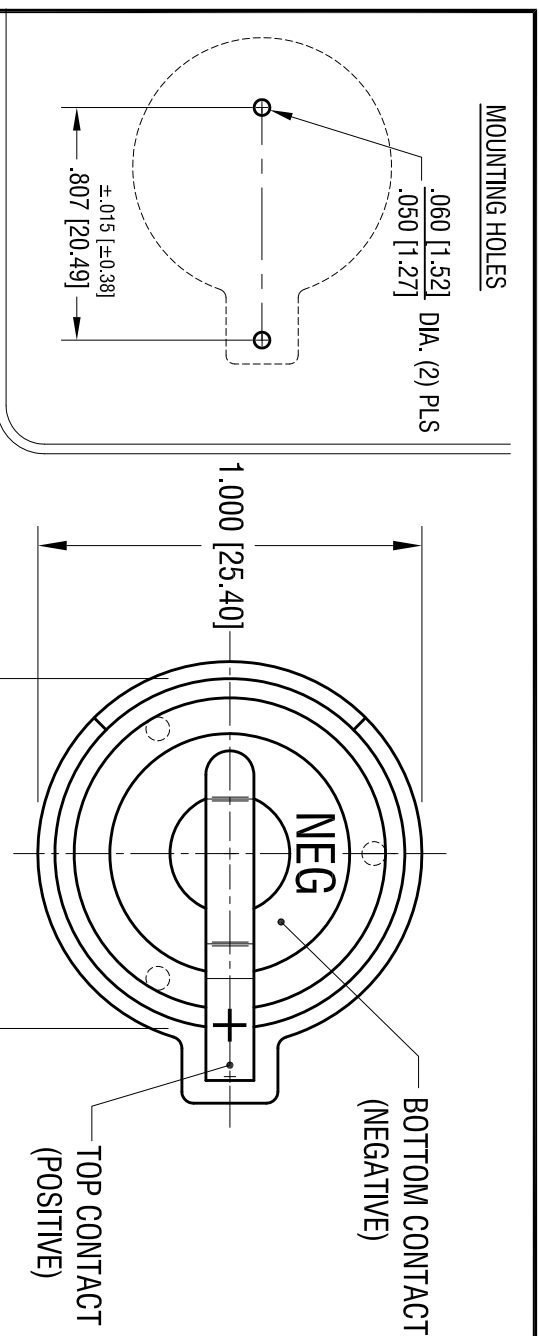


DATE	DESCRIPTION	REV.
9.20.04	CHANGE AS PER ECN 04-111	E
11.2.11	CHANGE AS PER ECN 11-143	F



ACTUAL SIZE

- NOTES:
1. BASE:  
MATL - PBT (UL 94V-0), COLOR BLACK
  2. CONTACTS (TOP AND BOTTOM):  
MATL - .020 [0.50] THK SPRING STEEL  
FINISH: TIN NICKEL PLATE

<b>KEYSTONE ELECTRONICS CORP.</b>			
www.keystec.com • ASTORIA, N.Y. 11105-2017 • Tel (718) 956-8900			
PART NAME COIN CELL PC BATTERY HOLDER			
MATERIAL AS NOTED			
FINISH AS NOTED		DRN BY BOONE	
DATE 5.6.94		App'D LN	
SCALE 2X		DWG NO. 104	
TOLERANCES DECIMAL ANGULAR	INCH ± .010	[MM] [± 0.25]	CODE C

THIS DOCUMENT IS THE PROPERTY OF KEYSTONE ELECTRONICS CORP. AND SHALL NOT BE REPRODUCED, DISTRIBUTED OR USED AS A BASIS FOR MANUFACTURE WITHOUT PRIOR WRITTEN PERMISSION FROM KEYSTONE ELECTRONICS CORP.