
SAFETY INSTRUCTIONS

- Make sure that the mains voltage matches the voltage stated on the rating label of the appliance.
- Check the power cord regularly for visible damage. If the cord is damaged, it must be replaced by the official Technical Support Service, in order to avoid any type of danger.

WARNING: Do not use the appliance if its cord, plug, or housing is damaged, nor after it malfunctions or has been dropped or damaged in any way.

- The appliance is not intended to be used by children under the age of 8. It can be used by children over the age of 8, as long as they are given continuous supervision.
 - This appliance is not intended to be used by persons with reduced physical, sensory, or mental capabilities, or lack of experience or knowledge, unless they have been given supervision or instruction concerning the use of the appliance in a safe way by a person responsible for their safety, and understand the hazards involved.
 - Supervise young children to make sure that they do not play with the appliance. Close supervision is necessary when the appliance is being used by or near children.
 - Keep the appliance and its cord out of reach of children under the age of 8.
 - Do not try to repair the appliance by yourself. Contact the official Technical Support Service for advice.
 - Cleaning and maintenance must be carried out according to this instruction manual to make sure the appliance functions properly. Turn off and unplug the appliance before cleaning it.
 - Make sure the fan is not placed near drapes, curtains, or any objects that may be drawn into the fan.
 - The minimum distance between the fan blades and the floor must be 2.3 m. The minimum carrying capacity of the outlet box from which the fan is hung must be 45 kg.
-

- Do not use the appliance in confined spaces with explosive or toxic vapours.
 - This appliance can be used by children aged from 8 years and above and persons with reduced physical, sensory or mental capabilities or lack of experience and knowledge if they have been given supervision or instruction concerning use of the appliance in a safe way and understand the hazards involved. Children shall not play with the appliance. Cleaning and user maintenance shall not be made by children without supervision.
 - Make sure you install all-poles disconnection switch with a minimum distance of 3 mm between poles in the supply wiring to the ceiling fan.
 - Make sure the installation site will not allow the rotating fan blades to come into contact with any object and that there is a minimum distance of 150mm (6") from the blade tip to the wall or ceiling. Please note that the bigger this distance is, the more airflow the fan will produce.
 - Switch off the power before connecting or repairing the fan.
 - The electrical wiring must be in accordance with the local regulations.
 - The fan must be properly grounded to avoid the risk of electric shocks. Never mount the fan in a moist or wet room. Be careful when working near the rotating blades.
 - This appliance must be installed in accordance with the national electrical installation regulations.
 - Ensure that the fan is switched off from the supply mains before removing the guard.
 - If unusual oscillating movement is observed, immediately stop using the ceiling fan and contact the manufacturer, its service agent or suitably qualified persons.
 - The replacement of parts of the safety suspension system device shall be performed by the manufacturer, its service agent or suitably qualified persons.
 - The mounting of the suspension system shall be performed by the manufacturer, its service agent or suitably qualified person.
 - In order to ensure your children's safety, please keep all packaging (plastic bags, boxes, polystyrene, etc.) away from their reach.
-

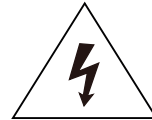
IMPORTANT: Shut off the main electric switch during installation or maintenance. It is recommended to switch off the plug of the automatic switch before the fan (Both mains and fan switch should be not powered).

- Do not use outdoors. The product must be installed in a dry place, where it is not exposed to water or moisture.
 - Do not connect the fan motor to a dimmer switch. This could result in malfunction or motor damage.
 - It is not recommended that ceiling fans and gas appliances operate in the same room at the same time.
 - The fan must be completely turned off and stopped before reversing the fan direction. This will prevent the fan motor and controller from getting damaged.
 - Do not insert any object into the fan blades during operation. This will damage the blades and upset the balance of the fan causing the unit to wobble.
 - After the fan is completely installed make sure all base and fan blade fixings are secured and tightened to prevent any problems.
 - Some of the connections may loosen due to the fan's natural movement. Check the support connections brackets and blade attachments twice a year to make sure they remain secured. If any are loose, tighten.
 - The use of electrical appliances requires notion of some basic rules, such as:
 - Do not touch the appliance with wet hands or feet
 - Never expose the appliance to atmospheric conditions (rain, sun, etc.).
 - Do not use the device next to potentially explosive or inflammable liquids or gases.
 - This product is intended for household use ONLY & not for commercial or outdoor use.
 - Keep batteries out of the reach of children and animals, they could cause damage if swallowed. If they were swallowed, contact your doctor immediately.
-

- If any visible signs of damage, holes or deterioration are observed, avoid direct contact between batteries and skin, eyes or mucous membranes. If batteries leak and get into contact with eyes, immediately wash them with abundant water. Contact your doctor immediately.
- Please make sure to turn off the power before starting the installation.
- The light source of this luminaire is not replaceable, when the light source reaches its end of life the whole luminaire should be replaced.
- Installation should only be done by a certified electrician.



This marking indicates that this product should not be disposed of with other household wastes.



Caution, risk of electric shock.

INTRODUCTION & WARRANTY

Thank you for selecting and buying V-TAC product. V-TAC will serve you the best. Please read these instructions carefully before starting the installation and keep this manual handy for future reference. If you have any another query, please contact our dealer or local vendor from whom you have purchased the product. They are trained and ready to serve you at the best. The warranty is valid for 2 years from the date of purchase. The warranty does not apply to damage caused by incorrect installation or abnormal wear and tear. The company gives no warranty against damage to any surface due to incorrect removal and installation of the product. The products are suitable for 10-12 Hours Daily operation. Usage of product for 24 Hours a day would void the warranty. This product is warranted for manufacturing defects only.

WEEE Number: 80133970

INSTRUCTION MANUAL

DECORATIVE CEILING FANS (VT-6043-4)



TECHNICAL DATA

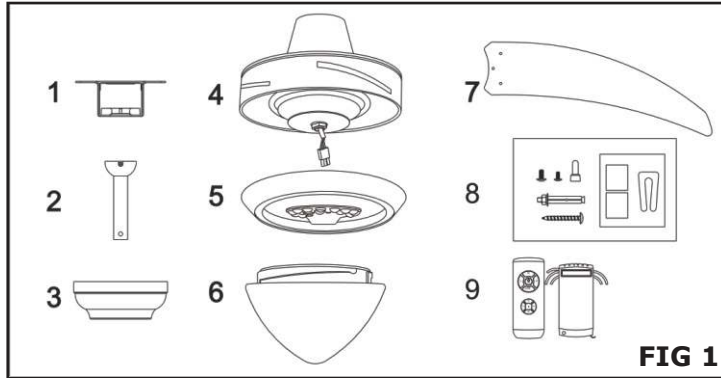
- 1) 42" (107CM) Decorative ceiling fan
- 2) With forward and reverse function
- 3) 4 MDF blades
- 4) Powerful Motor: 153*15mm, 2.3kg
- 5) Revolutions per minute: 220±10 RPM
- 6) Blade angle 13°
- 7) 3 speeds and light remote control
- 8) 15W 3 color LED light
- 9) Power:220V,50HZ,60W (power of the motor)
- 10) G.W.: 6.8KG / N.W.: 6.1KG

MULTI-LANGUAGE MANUAL QR CODE

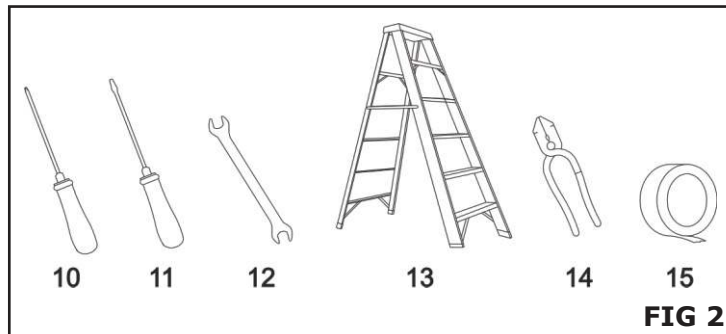


Please scan the QR code to access the manual in multiple languages.

PARTS AND COMPONENTS



Tools and material required (not included)



1. Mounting bracket
2. Down rod and hanging ball
3. Canopy
4. Fan motor housing
5. Light
6. Glass shade
7. Blades
8. Screw kit, mounting bracket hardware (wire, nuts, rubber washers) and attachment hardware
9. Remote control
10. Screwdriver
11. Flat-blade screwdriver
12. Adjustable pliers or wrench
13. Step ladder
14. Wire cutter
15. Electrical tape

1. BEFORE USE

Unpack your ceiling fan carefully then remove all parts and components and lay on a cloth or soft surface to avoid damage. Do not lay the motor housing on its side, the housing may get damaged. Before commencing installation, check that all parts are included.

2. PRODUCT ASSEMBLY

WARNING: All electrical tasks should only be undertaken after disconnection of electricity by removing fuses or turning off the circuit breaker to avoid risk of electric shocks.

ASSEMBLY STEPS:

2.1. INSTALLATION OF THE MOUNTING BRACKET

The hanger bracket must be screwed on to a firm flat surface. The structure to which it is installed must be able to withstand ten times the static weight of the fan. In case of installing the ceiling fan to a wooden joist, 2 self-tapping screws provided should be enough to support the ceiling fan. The washers provided must be placed in the following Order:

screw head > round washer > spring washer > mounting bracket > ceiling.

Screw the mounting bracket to the ceiling and make sure all connections are secure to prevent the fan from falling. Loosen the two canopy screws from the mounting bracket.

NOTE: Self-tapping screws are only suitable for wooden ceilings. In case of installing the ceiling fan to concrete ceilings or joists, use a drill for making the holes and stoppers or expansion screws (not included).

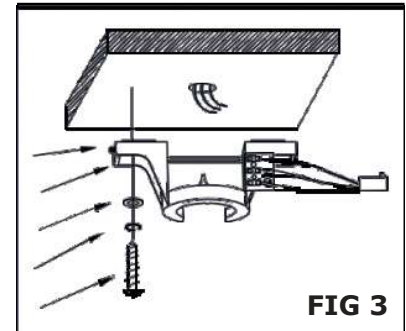
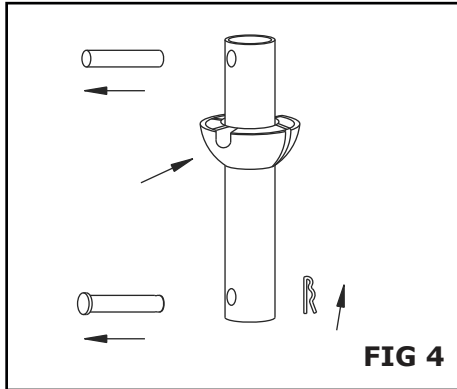
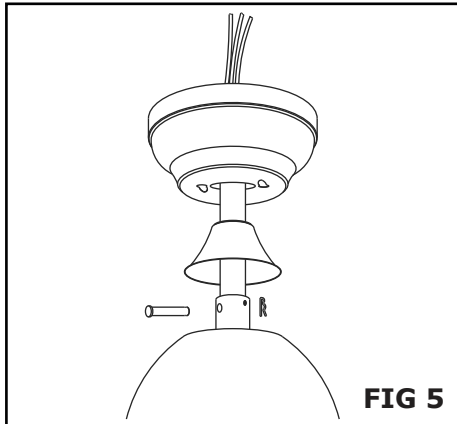


FIG 3

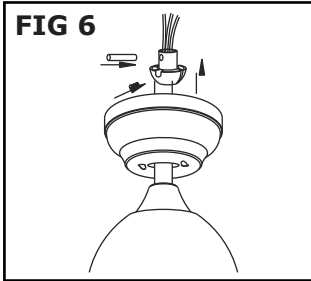
2.2. INSTALLATION OF THE DOWN ROD AND HANGER BALL



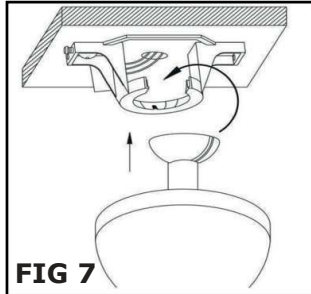
- Unscrew the screw on the down rod's hanger ball, then loosen the hanger ball. Remove the stop pin from inside the down rod and remove the hanger ball from the rod.
- Remove the clevis pin and hairpin clip from the down rod. If you prefer using the longer down rod, install the hanger ball on it and make sure to move the earth wire from one to the other. Pass the electrical supply leads from the top of the motor all the way through the down rod until they come out the other end.



- Insert the down rod into the motor housing's hole and turn it in order to align the holes on both sides with the holes on the down rod.
- Pass the clevis pin through the holes so that it passes through the down rod too, be careful not to damage any of the wires. Pass the hairpin clip through the clevis pin so that it is securely fixed.
- Tighten all the screws set up to the moment. This will ensure minimum rod and fan tumbling.

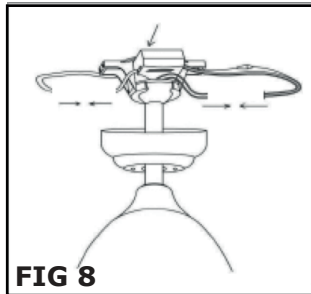


- If screws are not properly tightened, the motor might oscillate. This could be dangerous.
- Once the above steps are all finished, install the hanger ball onto the down rod, insert the stop pin in the down rod and lift up the hanger ball. Then, tighten all the screws firmly so that all the elements are completely and securely fixed.



2.3. HANGING THE FAN TO THE MOUNTING BRACKET AND ATTACHING THE BLADES

- Lift the fan up to the mounting bracket, insert the hanger ball in the mounting bracket through the opening and carefully let it rest.
- Rotate the ball and make sure that the tab located in the mounting bracket is aligned with the hanging ball's slot.
- When aligned, the fan will automatically sit on its correct position. This will prevent rotation of the rod and fan when the unit is operating.



2.4. REMOTE CONTROL AND WIRING INSTRUCTION

- Place the receiver through the hanging bracket and connect the wires following the colour codes.
- Connect the push connectors from the fan to the remote control as stated below:

WIRING DIAGRAM

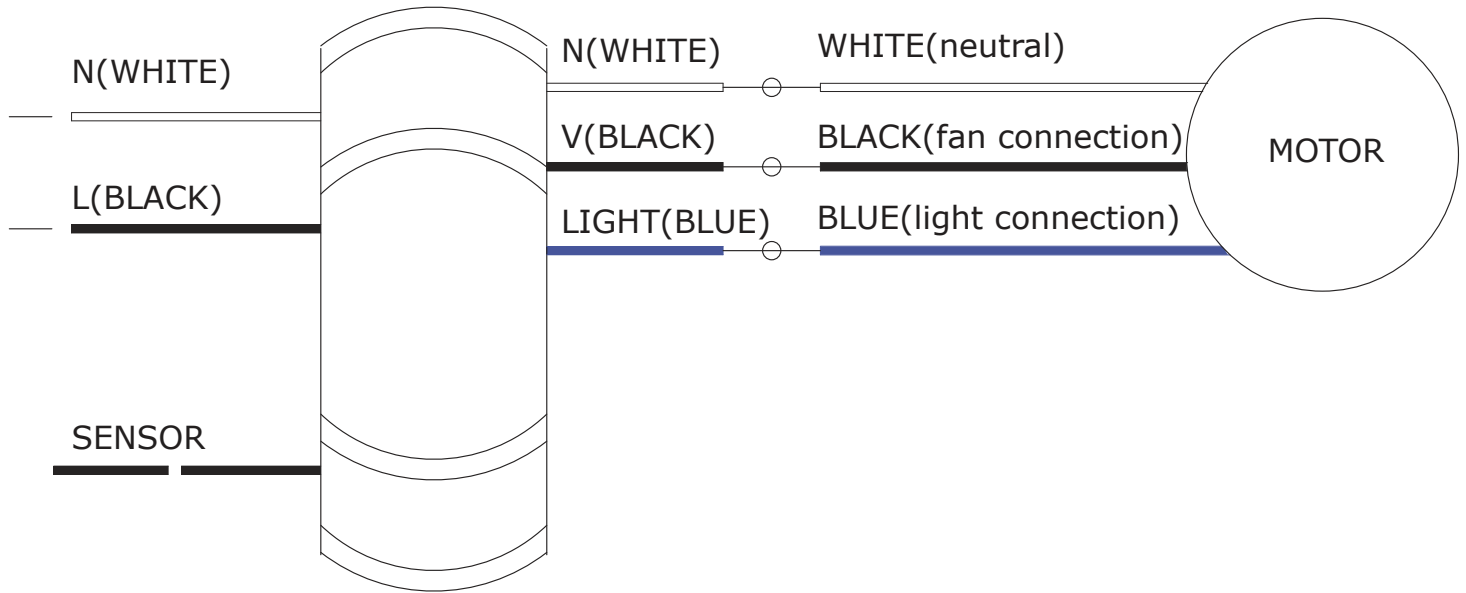
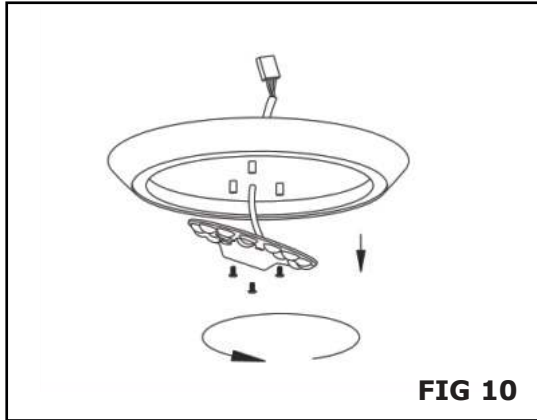


FIG 9

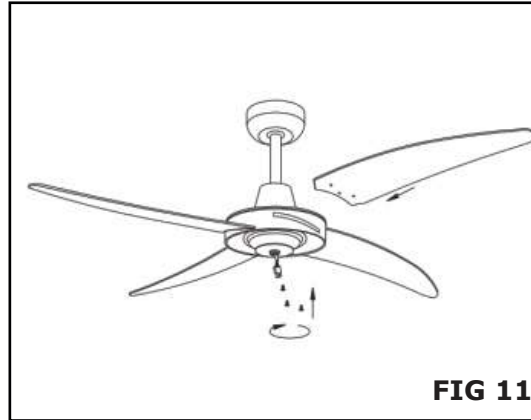
2.5. BLADE ASSEMBLY



Remove the 3 screws & the LED from lamp.

NOTE: if installing more than 1 fan, be careful not to mix blades & screws as each model is designed with specific materials & parts.

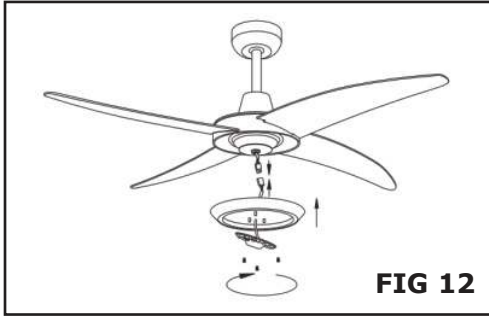
2.6. INSTALLING THE LED LIGHT AND GLASS SHADE



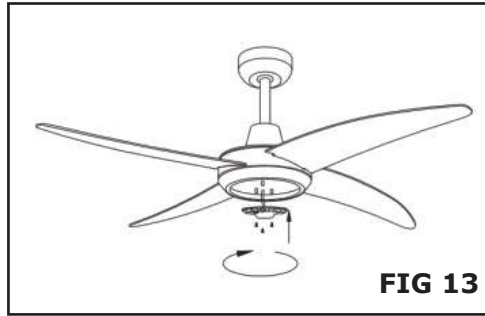
Insert the blades through the motor housing's side slots and align them with the 3 holes.

Secure the blades with 3 blade screws & ensure that the 3 blade screws are tightened properly.

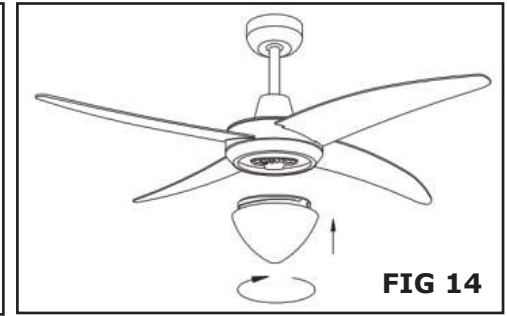
Do not over tighten the screws as this can damage the blades. Repeat this process for all blades.



Connect the LED light's wires to the fan motor's wires. Align the lamp holder's screw holes with those on the motor and attach both parts by means of the screws provided.



Lamp fixture removed
screws tighten LED.



Carefully install the glass shade into the main body and turn it clockwise to lock it.

WARNING: Do not over tighten when installing the glass shade.

3. OPERATION

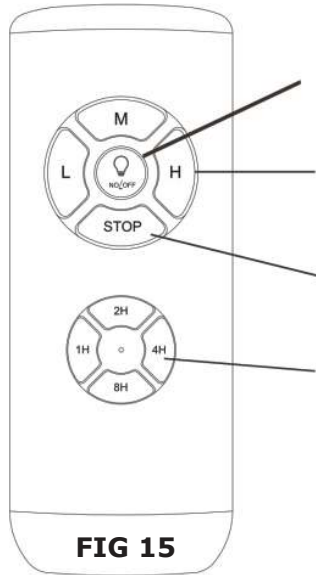
The direction switch on the fan body controls air flow:

- Winter function: press the switch UP for the blades to move warm air near the ceiling around.
- Summer function: press the switch DOWN for blades to create breeze and improve air circulation.

WARNING: Before using the direction switch, turn the fan off and make sure the fan has stopped rotating in order to prevent possible injuries and motor damage. Change direction by pushing the switch up or down when the fan is off.

REMOTE CONTROL

Use the remote control to turn the fan on and off and to change speed.



LIGHT ON/OFF

Fan Speed

H - Highest speed
M - Medium speed
L - Lowest speed

FAN STOP

Timer

1H-Fan auto turn off after 1 hour
2H-Fan auto turn off after 2 hours
4H-Fan auto turn off after 4 hours
8H-Fan auto turn off after 8 hours

REPLACING BATTERIES

1. To replace the remote control batteries, press the battery cover and slide it towards the arrow direction.
2. This remote control requires 1 x A23 12V battery.
3. Reassemble the battery compartment cover.

FIG 15

WARNING:

- Always ensure the battery compartment cover is closed properly.
- Never leave the remote control directly exposed to sun light.
- Do not try recharging the discharged batteries by heating them or with a battery charger. Rechargeable batteries are always specified as so.
- Do not throw batteries into the fire, it could cause explosion.

4. CLEANING AND MAINTENANCE

1. Always disconnect the fan from the power supply and allow it to stop before cleaning it.
2. Clean the outside surface with a soft damp cloth.

WARNING:

- Make sure the power is turned off at the main fuse or circuit panel before you attempt any repairs.
 - Do not immerse then fan in water.
 - Never use scouring pads, abrasive or chemical cleaners.
 - Clean your fan periodically. Use only a cloth or brush. Metal finishes are finished with a lacquer to prevent tarnishing.
 - Do not allow the product's inside parts to get wet (especially the circuit plate), this could be very dangerous and damage the fan.
 - While the product is not in use, make sure it is unplugged from the power supply. To store it, place it in its original box and save it in a fresh and dry place until it is used again.
 - In case of fault or doubt, do not try to repair the fan by yourself to avoid risk of fire or electric shock.
-

5. TROUBLESHOOTING THE FAN DOES NOT START UP

1. Check all the fuses or circuit breakers.
2. Turn off the electrical power and check all wire connections.

THE FAN EMITS NOISES

1. Always allow a few days “break in” time for any new fan at medium or high speed. Try to diagnose the exact location of the noise by listening carefully from several sides (blades, motor, light kit, etc.) The fan noise can come from a light kit.
2. Make sure all screws in the fan assembly and light kit are tight and properly threaded. If not, then turn off the power and tighten the screws. Tighten these screws at least once a year because they may loosen slowly over time and cause a clicking noise.
3. Make sure the light kit is securely fastened to the fan, and all glass screws are finger tightened only. Do not tighten with pliers or a screw driver.
4. Make sure the mounting bracket is installed snugly to the junction box.
5. Make sure wire nuts in the switch housing or the canopy are not rattling against each other or against the housing’s wall. Wrap with electrical tape if necessary.
6. Make sure the canopy is not touching the ceiling.
7. Assure that the screws fastening the blade holders to the motor are tight and the lock washers provided for that purpose have been used.

THE FAN DOES NOT PRODUCE MUCH AIR

1. The fan may be running in reverse, so air is directed upward.
-

2. The room may contain items that obstruct the airflow.
3. The fan may be too small for the size of the room.

FAN WOBBLING

NOTE: A small amount of wobble is considered acceptable and should not be considered a defect.

1. Make sure the mounting bracket is fixed tightly to the ceiling with no movement at all. Tighten screws if necessary.
 2. Make sure all screws holding the blades to the blade support and blade support to motor are tight. Make sure the light kit and the glass screws are tight.
-

CONSIGNES DE SÉCURITÉ

- Assurez-vous que la tension du réseau correspond à celle indiquée sur la plaque signalétique de l'appareil.
- Vérifiez régulièrement si le cordon d'alimentation présente des dommages visibles. Si le cordon est endommagé, il doit être remplacé par le service d'assistance technique officiel, afin d'éviter tout type de danger.

AVERTISSEMENT: N'utilisez pas l'appareil si son cordon, sa fiche ou son boîtier sont endommagés, ou s'il fonctionne mal ou s'il est tombé ou a été endommagé de quelque façon que ce soit.

- L'appareil n'est pas destiné à être utilisé par des enfants de moins de 8 ans. Il peut être utilisé par des enfants de plus de 8 ans, à condition qu'ils soient surveillés en permanence.
 - Cet appareil n'est pas destiné à être utilisé par des personnes ayant des capacités physiques, sensorielles ou mentales réduites, ou manquant d'expérience ou de connaissances, à moins qu'elles ne soient pas supervisées ou aient reçu des consignes sur l'utilisation de l'appareil par une personne responsable de leur sécurité et qu'elles comprennent les risques encourus.
 - Surveillez les jeunes enfants pour vous assurer qu'ils ne jouent pas avec l'appareil. Une surveillance stricte est nécessaire lorsque l'appareil est utilisé par des enfants ou à proximité.
 - Gardez l'appareil et son cordon d'alimentation hors de portée des enfants de moins de 8 ans.
 - N'essayez pas de réparer l'appareil par vous-même. Contactez le service officiel de support technique pour obtenir des conseils.
 - Le nettoyage et l'entretien doivent être effectués conformément à ce mode d'emploi pour assurer le bon fonctionnement de l'appareil. Éteignez et débranchez l'appareil avant de le nettoyer.
 - Assurez-vous que le ventilateur n'est pas placé près de rideaux, de tentures ou de tout autre objet qui pourrait être aspiré par le ventilateur.
 - La distance minimale entre les pales du ventilateur et le sol doit être de 2,3 m. La capacité de charge minimale de la boîte de sortie à laquelle le ventilateur est suspendu doit être de 45 kg.
 - N'utilisez pas l'appareil dans des espaces confinés avec des vapeurs explosives ou toxiques
 - Cet appareil peut être utilisé par des enfants âgés de 8 ans et plus et par des personnes ayant des capacités physiques, sensorielles ou mentales réduites ou manquant d'expérience et de connaissances sous réserve d'être supervisés ou d'avoir reçu des consignes concernant l'utilisation de l'appareil d'une manière sûre et comprennent les risques encourus. Les enfants ne doivent pas jouer avec l'appareil. Le nettoyage et l'entretien de la part des utilisateurs ne doivent pas être effectués par des enfants sans surveillance.
-

- Veuillez à installer un sectionneur tous pôles avec une distance minimale de 3 mm entre les pôles dans le câblage d'alimentation du ventilateur de plafond.
- Assurez-vous que l'endroit d'installation ne permet pas aux pales du ventilateur en rotation d'entrer en contact avec un objet quelconque et qu'il y a une distance minimale de 150 mm (6") entre l'extrémité des pales et le mur ou le plafond. Veuillez noter que plus cette distance est grande, plus le ventilateur produira de débit d'air.
- Veuillez vous assurer de couper le courant avant de commencer l'installation
- Le câblage électrique doit être conforme aux réglementations locales.
- Le ventilateur doit être correctement mis à la terre pour éviter les risques de chocs électriques. Ne montez jamais le ventilateur dans une pièce humide ou mouillée. Faites attention lorsque vous travaillez à proximité des pales en rotation.
- Cet appareil doit être installé conformément aux réglementations nationales en matière d'installation électrique.
- Assurez-vous que le ventilateur est coupé du réseau avant de retirer le protecteur.
- Si vous constatez un mouvement oscillant inhabituel, arrêtez immédiatement d'utiliser le ventilateur de plafond et contactez le fabricant, son agent de service ou des personnes qualifiées.
- Le remplacement des pièces du dispositif de sécurité du système de suspension doit être effectué par le fabricant, son agent de service ou des personnes dûment qualifiées.
- Le montage du système de suspension doit être effectué par le fabricant, son agent de service ou une personne dûment qualifiée.
- Afin d'assurer la sécurité de vos enfants, veuillez garder tous les emballages (sacs de plastique, boîtes, polystyrène, etc.) hors de leur portée.

IMPORTANT: Couper l'interrupteur électrique principal pendant l'installation ou l'entretien. Il est recommandé de débrancher la fiche de l'interrupteur automatique avant le ventilateur (l'interrupteur secteur et l'interrupteur du ventilateur ne doivent pas être alimentés).

- Ne pas utiliser à l'extérieur. Le produit doit être installé dans un endroit sec, où il n'est pas exposé à l'eau ou à l'humidité.
 - Ne connectez pas le moteur du ventilateur à un gradateur. Cela pourrait entraîner un dysfonctionnement ou des dommages au moteur.
 - Il n'est pas recommandé que les ventilateurs de plafond et les appareils à gaz fonctionnent dans la même pièce en même temps.
-

- Le ventilateur doit être complètement éteint et arrêté avant d'inverser le sens de rotation du ventilateur. Cela évitera d'endommager le moteur du ventilateur et le contrôleur.
- N'insérez pas d'objets dans les pales du ventilateur pendant le fonctionnement. Cela endommagera les pales et perturbera l'équilibre du ventilateur, ce qui fera osciller l'appareil.
- Une fois que le ventilateur est complètement installé, assurez-vous que toutes les fixations de la base et des pales du ventilateur sont bien fixées et serrées pour éviter tout problème.
- en raison du mouvement naturel du ventilateur certains raccords peuvent se desserrer. Vérifiez les raccords de support, les supports et les fixations des pales deux fois par an afin de vous assurer qu'ils restent bien fixés. Si certains sont desserrés, serrez-les.
- L'utilisation d'appareils électriques nécessite la notion de quelques règles de base, telles que:
- Ne pas toucher l'appareil avec les mains ou les pieds mouillés
- Ne jamais exposer l'appareil aux conditions atmosphériques (pluie, soleil, etc.).
- Ne pas utiliser l'appareil à proximité de liquides ou de gaz potentiellement explosifs ou inflammables.
- Ce produit est destiné à un usage domestique UNIQUEMENT et non à un usage commercial ou extérieur.
- Gardez les piles hors de portée des enfants et des animaux, elles pourraient causer des dommages si elles sont avalées. Si elles ont été avalées, contactez immédiatement votre médecin.
- Si vous constatez des signes visibles de dommages, de trous ou de détérioration, évitez le contact direct des piles avec la peau, les yeux ou les muqueuses. Si les piles fuient et entrent en contact avec les yeux, les laver immédiatement avec de l'eau abondante. Contactez votre médecin immédiatement.
- Veuillez vous assurer de couper le courant avant de commencer l'installation.
- La source lumineuse de ce luminaire n'est pas remplaçable, lorsque la source lumineuse atteint sa fin de vie, le luminaire entier doit être remplacé.
- L'installation ne doit être effectuée que par un électricien certifié.

[FR] INTRODUCTION & GARANTIE

Merci d'avoir choisi et acheté un produit à V-TAC. V-TAC vous offrira le meilleur. Veuillez lire attentivement ces instructions avant de commencer l'installation et conservez ce manuel à portée de main pour référence ultérieure. Si vous avez d'autres questions, veuillez contacter notre distributeur ou le fournisseur local auprès duquel vous avez acheté le produit. Ils sont formés et prêts à vous servir au mieux. La garantie est valable pour une période de 2 ans à compter de la date d'achat. La garantie ne s'applique pas à des dommages causés par une installation incorrecte ou une usure anormale. La société ne donne aucune garantie pour des dommages causés à une surface en raison d'un enlèvement

et d'une installation incorrects du produit. Les produits sont convenables pour une exploitation quotidienne de 10-12 heures. L'utilisation du produit pendant 24 heures par jour annule la garantie. Ce produit est couvert par une garantie pour des défauts de fabrication seulement.

COMPOSANTS ET PIÈCES [FIG 1]

1. Support de montage
2. Tige de descente et boule de suspension
3. Pavillon
4. Corps du moteur du ventilateur
5. Luminaire
6. Abat-jour en verre
7. Pales
8. Kit de vis, matériel de montage du support (fil, écrous, rondelles en caoutchouc) et matériel de fixation

Outils et matériel requis (non inclus) [FIG 2]

9. Télécommande
10. Tournevis
11. Tournevis à lame plate
12. Pince ou clé ajustable
13. Escabeau
14. Coupe-fil
15. Ruban électrique

1. AVANT L'UTILISATION

- Déballer soigneusement votre ventilateur de plafond, puis retirez toutes les pièces et composants et posez-les sur un chiffon ou une surface douce pour éviter de les endommager. Ne pas poser le corps du moteur sur le côté, le corps peut être endommagé. Avant de commencer l'installation, vérifiez si toutes les pièces sont présentes.

2. ASSEMBLAGE DU PRODUIT

- **AVERTISSEMENT:** Toutes les tâches électriques ne doivent être entreprises qu'après avoir coupé l'électricité en retirant les fusibles ou en fermant le disjoncteur pour éviter les risques de chocs électriques.

ÉTAPES D'ASSEMBLAGE:

2.1. INSTALLATION DU SUPPORT DE MONTAGE

- Le support de suspension doit être vissé sur une surface plane et solide. La structure sur laquelle il est installé doit pouvoir supporter un poids statique dix fois supérieur à celui du ventilateur. En cas d'installation du ventilateur de plafond sur une solive en bois, les deux vis autotaraudeuses fournies doivent suffire pour supporter le ventilateur de plafond. Les rondelles fournies doivent être placées dans l'ordre suivant: tête de vis > rondelle ronde > rondelle élastique > support de montage > plafond [FIG 3].

- Vissez le support de montage au plafond et assurez-vous que tous les raccords sont bien fixés pour éviter que le ventilateur ne tombe. Dévissez les deux vis de l'auvent du support de montage [FIG 3].

REMARQUE: Les vis autotaraudeuses ne conviennent que pour les plafonds en bois. En cas d'installation du ventilateur de plafond sur des plafonds en béton ou des solives, utilisez une perceuse pour faire des trous et des bouchons ou des vis d'expansion (non incluses).

2.2. INSTALLATION DE LA TIGE DE DESCENTE ET DE LA BOULE DE SUSPENSION

- Dévissez la vis de la boule de suspension de la tige de descente, ensuite desserrez la boule de suspension. Retirez la goupille d'arrêt de l'intérieur de la tige de descente et retirez la boule de suspension de la tige [FIG 4].
- Retirez l'axe d'assemblage et la pince en épingle à cheveux de la tige de descente. Si vous préférez utiliser une tige de descente la plus longue, installez la boule de suspension dessus et déplacez le fil de terre à celle-ci. Faites passer les fils d'alimentation électrique du haut du moteur à travers la tige de descente jusqu'à ce qu'ils sortent à l'autre extrémité [FIG 4].
- Insérez la tige de descente dans le trou du corps du moteur et tournez-la afin d'aligner les trous des deux côtés avec les trous de la tige de descente [FIG 5].
- Passez l'axe d'assemblage à travers les trous de manière à ce qu'il passe aussi dans la tige de descente, en faisant attention à ne pas endommager les fils. Passez la pince en épingle à cheveux à travers l'axe d'assemblage de manière à ce qu'elle soit solidement fixée [FIG 5].
- Serrez toutes les vis réglées jusqu'au moment. Ceci réduira au minimum le risque de culbutage de la tige et du ventilateur [FIG 5].
- Si les vis ne sont pas correctement serrées, le moteur peut osciller. Cela pourrait être dangereux [FIG 6].
- Une fois les étapes ci-dessus terminées, installez la boule de suspension sur la tige de descente, insérez la goupille d'arrêt dans la tige de descente et soulevez la boule de suspension. Ensuite, serrez fermement toutes les vis pour que tous les éléments soient complètement et solidement fixés [FIG 6].

2.3. ACCROCHER LE VENTILATEUR AU SUPPORT DE MONTAGE ET FIXER LES PALES

- Soulevez le ventilateur jusqu'au support de montage, introduisez la boule de suspension dans le support de montage par l'ouverture et posez-la avec précaution [FIG 7].
- Faites tourner la boule et assurez-vous que la languette située dans le support de montage est alignée avec la fente de la boule suspendue [FIG 7].
- Lorsqu'il est aligné, le ventilateur se place automatiquement dans la bonne position. Cela empêchera la rotation de la tige et du ventilateur lorsque l'appareil fonctionne [FIG 7].

2.4. TÉLÉCOMMANDE ET CONSIGNES DE CÂBLAGE

- Placez le récepteur dans le support de suspension et raccordez les fils en suivant les codes de couleur [FIG 8].
- Raccorder les connecteurs à poussoir du ventilateur à la télécommande comme indiqué ci-dessous:

SCHÉMA DE CÂBLAGE [FIG 9]

2.5. ASSEMBLAGE DES PALES

- Enlevez les 3 vis et la LED de la lampe [FIG 10].
 - Insérez les pales dans les fentes latérales du corps du moteur et alignez-les avec les 3 trous [FIG 11].
 - Fixez les pales avec 3 vis à pale et assurez-vous que les 3 vis à pale sont bien serrées [FIG 11].
 - Ne serrez pas trop les vis car cela peut endommager les pales. Répétez ce processus pour toutes les pales [FIG 11].
- REMARQUE: si vous installez plus d'un ventilateur, veillez à ne pas mélanger les pales et les vis car chaque modèle est conçu avec des matériaux et des pièces spécifiques.

2.6. INSTALLATION DE LA LAMPE À LED ET DE L'ABAT-JOUR EN VERRE

- Raccordez les fils de la lampe LED aux fils du moteur du ventilateur. Alignez les trous de vis du porte-lampe avec ceux du moteur et fixez les parties à l'aide des vis fournies [FIG 12].
- Fixez les LED au moyen des vis retirées de la lampe [FIG 13].
- Installez avec précaution l'abat-jour en verre dans le corps principal et tournez-le dans le sens des aiguilles d'une montre pour le verrouiller [FIG 14].

AVERTISSEMENT: Ne serrez pas trop les vis lors de l'installation de l'abat-jour en verre.

3. FONCTIONNEMENT

Le commutateur de direction sur le corps du ventilateur contrôle le débit d'air:

- Fonction hiver: mettez l'interrupteur en haut pour que les pales déplacent l'air chaud près du plafond.
- Fonction été: mettez l'interrupteur en bas pour que les pales puissent créer une brise et améliorer la circulation de l'air.

AVERTISSEMENT: Avant d'utiliser l'interrupteur de direction, arrêtez le ventilateur et assurez-vous que le ventilateur a cessé de tourner afin d'éviter des blessures et des dommages éventuels au moteur. Changez de direction en poussant l'interrupteur vers le haut ou vers le bas lorsque le ventilateur est arrêté.

TÉLÉCOMMANDE

Utilisez la télécommande pour mettre en marche et arrêter le ventilateur et pour changer la vitesse [FIG 15].

- MARCHE/ARRÊT du luminaire
- Vitesse du ventilateur
- H - Vitesse maximale
- M - Vitesse moyenne
- L - Vitesse la plus basse
- Arrêt du ventilateur
- Minuteur
- 1H-le ventilateur s'éteint automatiquement après 1 heure
- 2H-le ventilateur s'éteint automatiquement après 2 heures
- 4H - Le ventilateur s'éteint automatiquement après 4 heures
- 8H - Le ventilateur s'éteint automatiquement après 8 heures

REMPACEMENT DES PILES

1. Pour remplacer les piles de la télécommande, appuyez sur le couvercle du compartiment des piles et faites-le glisser dans le sens de la flèche.
2. Cette télécommande nécessite une pile A23 12V.
3. Remontez le couvercle du compartiment des piles.

AVERTISSEMENT:

- Assurez-vous toujours que le couvercle du compartiment des piles est correctement fermé.
 - Ne laissez jamais la télécommande directement exposée à la lumière du soleil.
 - N'essayez pas de recharger les piles déchargées en les chauffant ou avec un chargeur de piles.
- Les piles rechargeables sont toujours spécifiées comme telles.
- Ne jetez pas les piles dans le feu, cela pourrait provoquer une explosion.

4. NETTOYAGE ET ENTRETIEN

1. Débranchez toujours le ventilateur de l'alimentation électrique et laissez-le s'arrêter avant de le nettoyer.
2. Nettoyez la surface extérieure avec un chiffon doux et humide.

AVERTISSEMENT:

- Assurez-vous que l'alimentation est coupée au niveau du fusible principal ou du panneau de circuit avant de tenter toute réparation.
- N'immergez pas le ventilateur dans l'eau.
- N'utilisez jamais de tampons à récurer, de nettoyeurs abrasifs ou chimiques.
- Nettoyez votre ventilateur périodiquement. Utilisez uniquement un chiffon ou une brosse. Les finitions en métal sont recouvertes d'une laque pour éviter le ternissement.
- Ne laissez pas les pièces internes des produits se mouiller (en particulier la plaque de circuit), cela pourrait être très dangereux et endommager le ventilateur.
- Lorsque le produit n'est pas utilisé, assurez-vous qu'il est débranché de l'alimentation électrique. Pour le conserver, placez-le dans sa boîte d'origine et gardez-le dans un endroit frais et sec jusqu'à ce qu'il soit utilisé à nouveau.

- En cas de panne ou de doute, n'essayez pas de réparer le ventilateur vous-même pour éviter tout risque d'incendie ou de choc électrique.

5. DÉPANNAGE

LE VENTILATEUR NE DÉMARRE PAS

1. Vérifiez tous les fusibles ou disjoncteurs.
2. Coupez l'alimentation électrique et vérifiez tous les raccordements de fils.

LE VENTILATEUR ÉMET DES BRUITS

1. Prévoyez toujours quelques jours d'«adaptation» pour tout nouveau ventilateur à vitesse moyenne ou élevée. Essayez de diagnostiquer l'endroit exact du bruit en écoutant attentivement de plusieurs côtés (pales, moteur, unité d'éclairage, etc.) Le bruit du ventilateur peut provenir de l'unité d'éclairage.
2. Assurez-vous que toutes les vis de l'ensemble du ventilateur et de l'unité d'éclairage sont bien serrées et correctement fileté. Sinon, coupez l'alimentation et serrez les vis. Serrez ces vis au moins une fois par an, car elles peuvent se desserrer lentement avec le temps et provoquer un bruit de cliquetis.
3. Assurez-vous que l'unité d'éclairage est solidement fixée au ventilateur et que toutes les vis de l'abat-jour en verre sont serrées à la main seulement. Ne les serrez pas avec une pince ou un tournevis.
4. Assurez-vous que le support de montage est bien installé sur la boîte de jonction.
5. Veillez à ce que les écrous du boîtier de l'interrupteur ou du pavillon ne se cognent pas les uns contre les autres ou contre la paroi du boîtier. Enveloppez-les avec du ruban électrique si nécessaire.
6. Assurez-vous que le pavillon ne touche pas le plafond.
7. Assurez-vous que les vis de fixation des porte-pales au moteur sont bien serrées et que les rondelles de blocage prévues à cet effet ont été utilisées.

LE VENTILATEUR NE PRODUIT PAS BEAUCOUP D'AIR

1. Le ventilateur peut fonctionner en sens inverse, donc l'air est dirigé vers le haut.
2. La pièce peut contenir des objets qui empêchent la circulation de l'air.
3. Le ventilateur est peut-être trop petit pour les dimensions de la pièce.

VENTILATEUR À ROTATION DÉSÉQUILIBRÉE

NOTA: Une petite quantité d'oscillation est considérée comme acceptable et ne devrait pas être considérée comme un défaut.

1. Assurez-vous que le support de montage est bien fixé au plafond, sans aucun mouvement. Serrez les vis si nécessaire.
2. Assurez-vous que toutes les vis qui maintiennent les pales au support de pale et le support de pale au moteur sont bien serrées. Assurez-vous que l'unité d'éclairage et les vis de verre sont bien serrés.

SICHERHEITSHINWEISE

- Stellen Sie sicher, dass die Netzspannung mit der auf dem Typenschild des Geräts angegebenen Spannung übereinstimmt.
- Überprüfen Sie das Netzkabel regelmäßig auf sichtbare Schäden. Wenn das Kabel beschädigt ist, muss es vom offiziellen technischen Kundendienst ausgetauscht werden, um Gefahren jeglicher Art zu vermeiden.

WARNUNG: Verwenden Sie das Gerät nicht, wenn das Kabel, der Stecker oder das Gehäuse beschädigt sind oder wenn es nicht richtig funktioniert oder wenn es fallen gelassen oder in irgendeiner Weise beschädigt wurde.

- Das Gerät darf nicht von Kindern unter 8 Jahren benutzt werden. Es kann von Kindern über 8 Jahren benutzt werden, solange sie ständig beaufsichtigt werden.
- Dieses Gerät darf nicht von Personen mit eingeschränkten körperlichen, sensorischen oder geistigen Fähigkeiten oder mangelnder Erfahrung oder mangelndem Wissen verwendet werden, es sei denn, sie wurden von einer für ihre Sicherheit verantwortlichen Person beaufsichtigt oder unterwiesen in Bezug auf den sicheren Gebrauch des Geräts und verstehen die damit verbundenen Gefahren.
- Kleinkinder sollten beaufsichtigt werden, um sicherzustellen, dass sie nicht mit dem Gerät spielen. Eine genaue Kontrolle ist erforderlich, wenn das Gerät von oder in der Nähe von Kindern verwendet wird.
- Bewahren Sie das Gerät und das Netzkabel außerhalb der Reichweite von Kindern unter 8 Jahren auf.
- Versuchen Sie nicht, das Gerät selbst zu reparieren. Wenden Sie sich an eine zugelassene Kundendienststelle.
- Die Reinigung und Wartung muss gemäß dieser Bedienungsanleitung durchgeführt werden, um die ordnungsgemäße Funktion des Geräts zu gewährleisten. Schalten Sie das Gerät aus und ziehen Sie den Netzstecker aus der Steckdose, bevor Sie es reinigen.
- Stellen Sie den Ventilator nicht in der Nähe von Gardinen, Vorhängen oder Gegenständen auf, die in den Ventilator gesaugt werden können.
- Der Mindestabstand zwischen den Ventilatorflügeln und dem Boden muss 2,3 m betragen. Die Mindesttragfähigkeit des Anschlusskastens, an dem der Ventilator aufgehängt ist, muss 45 kg betragen.
- Verwenden Sie das Gerät nicht in geschlossenen Räumen mit explosiven oder giftigen Dämpfen.
- Dieses Gerät darf von Kindern ab 8 Jahren sowie von Personen mit körperlichen, sensorischen oder geistigen Behinderungen oder mangelnden Erfahrungen oder Kenntnissen verwendet werden, sofern sie über den sicheren Gebrauch des Geräts unterrichtet werden und die Sicherheitsbestimmungen und die damit verbundenen Risiken verstehen. Kinder dürfen nicht mit dem Gerät spielen. Benutzerreinigung und Wartung dürfen nicht von Kindern ohne Aufsicht durchgeführt werden.
- Stellen Sie sicher, dass ein allpoliger Trennschalter mit einem Mindestabstand von 3 mm zwischen den Polen in der Zuleitung zum Deckenventilator installiert wird, der die Trennung aller Stromkreise vom Hauptstromversorgungskreis gestattet.

- Stellen Sie sicher, dass die Montageposition keinen Kontakt zwischen den rotierenden Flügeln und Gegenständen zulässt und dass zwischen den Flügelspitzen und der Wand oder Decke ein Mindestabstand von 150 mm besteht. Beachten Sie, dass der vom Ventilator erzeugte Luftstrom umso größer ist, je größer der Abstand ist.
 - Schalten Sie die Stromversorgung aus, bevor Sie den Ventilator anschließen oder reparieren.
 - Die elektrische Verkabelung muss den örtlichen Vorschriften entsprechen.
 - Der Ventilator muss ordnungsgemäß geerdet sein, um die Gefahr eines Stromschlags zu vermeiden. Stellen Sie das Gerät niemals an einem feuchten oder nassen Ort auf. Seien Sie vorsichtig, wenn Sie in der Nähe von rotierenden Flügeln arbeiten.
 - Dieses Gerät muss gemäß den nationalen Vorschriften für die Elektroinstallation installiert werden.
 - Stellen Sie sicher, dass der Ventilator vom Stromnetz getrennt ist, bevor Sie die Sicherung entfernen.
 - Wenn ungewöhnliche Pendelbewegungen festgestellt werden, schalten Sie den Deckenventilator sofort aus und wenden Sie sich an den Hersteller, seinen Kundendienst oder an eine entsprechend qualifizierte Person.
 - Der Austausch von Teilen der Sicherheitsaufhängungsvorrichtung muss vom Hersteller, seinem Servicevertreter oder von entsprechend qualifizierten Personen durchgeführt werden.
 - Die Montage des Aufhängungssystems muss vom Hersteller, seinem Servicevertreter oder einer entsprechend qualifizierten Person durchgeführt werden.
 - Um die Sicherheit Ihrer Kinder zu gewährleisten, bewahren Sie bitte alle Verpackungen (Plastiktüten, Kartons, Styropor usw.) außerhalb ihrer Reichweite auf.
- WICHTIG: Schalten Sie den Hauptschalter während der Installation oder Wartung aus. Es wird empfohlen, den Leistungsschalter vor dem Ventilator abzuziehen (sowohl der Netzschalter als auch der Ventilatorschalter sollten nicht mit Strom versorgt werden).
- Nicht im Freien benutzen. Das Produkt muss an einem trockenen Ort installiert werden, an dem es weder Wasser noch Feuchtigkeit ausgesetzt ist.
 - Schließen Sie den Ventilatormotor nicht an einen elektrischen Dimmer an. Dies kann zu einer unbefriedigenden Leistung führen oder Motorschäden verursachen.
 - Es wird nicht empfohlen, Deckenventilatoren und Gasgeräte gleichzeitig im selben Raum zu betreiben.
 - Der Ventilatormotor muss vollständig ausgeschaltet und gestoppt sein, bevor die Ventilatorrichtung geändert wird. Dies verhindert, dass der Ventilatormotor und die Steuerung beschädigt werden.
 - Führen Sie während des Betriebs keine Gegenstände in die Ventilatorflügel ein. Dadurch werden die Flügel beschädigt und die Balance des Ventilators gestört, wodurch das Gerät ins Wackeln gerät.
-

- Stellen Sie nach der vollständigen Installation des Ventilators sicher, dass alle Befestigungen der Basis und der Ventilatorflügel gesichert und festgezogen sind, um Probleme zu vermeiden.
- Im Laufe der Zeit und aufgrund der natürlichen Bewegung des Ventilators können sich einige Verbindungen lösen. Überprüfen Sie die Stützverbindungen, Stützen und Flügelhalterungen zweimal im Jahr, um sicherzustellen, dass sie sicher befestigt sind. Falls lose vorhanden, festziehen.
- Die Verwendung von Geräten setzt die Einhaltung einiger Grundregeln voraus, wie zum Beispiel:
 - Das Gerät nicht mit nassen Händen oder Füßen berühren
 - Das Gerät niemals atmosphärischen Bedingungen (Regen, Sonne usw.) aussetzen.
 - Das Gerät nicht in der Nähe von explosionsgefährdeten oder entzündlichen Flüssigkeiten oder Gasen verwenden.
- Dieses Produkt ist NUR für den Hausgebrauch und nicht für den gewerblichen oder den Außenbereich bestimmt.
- Bewahren Sie Batterien außerhalb der Reichweite von Kindern und Tieren auf. Sie können beim Verschlucken Schäden verursachen. Wenn sie verschluckt wurden, wenden Sie sich sofort an Ihren Arzt.
- Vermeiden Sie bei sichtbaren Anzeichen von Schäden, Löchern oder Abnutzung den direkten Kontakt von Batterien mit Haut, Augen oder Schleimhäuten. Wenn Batterien auslaufen und mit den Augen in Berührung kommen, spülen Sie sie sofort mit reichlich Wasser aus. Wenden Sie sich sofort an Ihren Arzt.
- Bitte stellen Sie sicher, dass das Gerät ausgeschaltet ist, bevor Sie mit der Installation beginnen.
- Die Lichtquelle dieser Leuchte ist nicht austauschbar. Wenn die Lebensdauer der Lichtquelle abgelaufen ist, muss die gesamte Leuchte ausgetauscht werden.
- Die Installation darf nur von einem zertifizierten Elektriker ausgeführt werden.

[DE] INFÜHRUNG UND GEBRAUCHSANWEISUNG

Wir danken Ihnen, dass Sie ein V-TAC ausgesucht und gekauft haben. V-TAC wird Ihnen die besten Dienste erweisen. Lesen Sie, bitte, diese Gebrauchsanweisung vor der Montage aufmerksam durch und halten Sie sie für Auskünfte in der Zukunft parat. Sollten Sie weitere Fragen haben, kontaktieren Sie, bitte, unseren lokalen Händler oder Verkäufer, von dem Sie das Produkt gekauft haben. Sie sind ausgebildet und bereit Sie auf die bestmögliche Art und Weise zu unterstützen. Die Gewährleistungsfrist beträgt 2 Jahre ab dem Kaufdatum. Die Gewährleistung bezieht sich nicht auf Schäden, die durch unsachgemäße Montage oder ungewöhnliche Abnutzung und Verschleiß verursacht worden sind. Das Unternehmen gewährt keine Garantie für durch unsachgemäßen Produktabbau oder unsachgemäße Montage entstandene Schäden an jeglichen Oberflächen. Die Produkte sind für eine Nutzung von bis zu 10-12 Stunden täglich geeignet. Eine tägliche, 24-stündige Nutzung schließt die Gewährleistung aus. Diese Gewährleistung gilt nur für Herstellungsmängel.

TEILE UND KOMPONENTEN [ABB 1]

1. Halterung
2. Deckenstange (Tragstange) und hängende Kugel
3. Baldachin (Abdeckung)
4. Ventilatormotorgehäuse
5. Leuchte
6. Glasschirm
7. Flügel
8. Schraubensatz, Montagewinkel (Draht, Muttern, Gummischeiben) und Befestigungsteile

Benötigte Werkzeuge und Materialien (nicht enthalten) [ABB 2]

9. Fernbedienung
10. Schraubendreher
11. Schlitzschraubendreher
12. Einstellbare Zange oder Schraubenschlüssel
13. Trittleiter
14. Drahtschneider
15. Isolierband

1. VOR DEM GEBRAUCH

Packen Sie Ihren Deckenventilator vorsichtig aus, nehmen Sie alle Teile und Komponenten heraus und legen Sie ihn diese ein Tuch oder eine weiche Oberfläche, um Beschädigungen zu vermeiden. Legen Sie das Motorgehäuse nicht auf die Seite, das Gehäuse könnte beschädigt werden. Überprüfen Sie vor Beginn der Installation, ob alle Teile enthalten sind.

2. ZUSAMMENBAU DES PRODUKTS

WARNUNG: Alle elektrischen Arbeiten sollten nur nach dem Trennen der Stromversorgung durch Entfernen der Sicherungen oder Ausschalten des Leistungsschalters durchgeführt werden, um die Gefahr eines Stromschlags zu vermeiden.

MONTAGESCHRITTE:

2.1. INSTALLIERUNG DER MONTAGEHALTERUNG

- Der Deckenhalter muss auf einer festen, ebenen Fläche angeschraubt werden. Die Struktur, an der es installiert wird, muss dem zehnfachen statischen Gewicht des Ventilators standhalten. Bei Installation des Deckenventilators auf einem Holzbalken sollten die beiden mitgelieferten selbstschneidenden Schrauben ausreichen, um den Deckenventilator abzustützen. Die mitgelieferten Unterlegscheiben müssen in der folgenden Reihenfolge angebracht werden: Schraubenkopf> runde Unterlegscheibe> Federring> Montagehalterung> Decke [ABB 3].
 - Schrauben Sie die Montagehalterung an die Decke und stellen Sie sicher, dass alle Verbindungen sicher sind, damit der Ventilator nicht herunterfällt. Lösen Sie die beiden Schrauben des Baldachins von der Montagehalterung [ABB 3].
- HINWEIS:** Selbstschneidende Schrauben sind nur für Holzdecken geeignet. Wenn Sie den Deckenventilator an Betondecken oder Balken installieren, bohren Sie die Löcher und Stopfen oder Dehnschrauben (nicht im Lieferumfang enthalten) mit einer Bohrmaschine.

2.2. ZUSAMMENBAU DER DECKENSTANGE UND DER AUFHÄNGUNGSKUGEL

- Lösen Sie die Schraube an der Aufhängungskugel der Deckenstange und lösen Sie dann die Aufhängungskugel. Entfernen Sie den Anschlagstift von der Innenseite der Deckenstange und entfernen Sie die Aufhängekugel von der Stange [ABB 4].
- Entfernen Sie den Lastösenbolzen und den Haarnadelbefestiger von der Deckenstange. Wenn Sie eine längere Deckenstange bevorzugen, setzen Sie die Aufhängekugel darauf und achten Sie darauf, den Erdungsdraht von einer zur anderen zu verstellen. Führen Sie die elektrischen Zuleitungen von der Oberseite des Motors durch die Deckenstange, bis sie am anderen Ende herauskommen [ABB 4].
- Setzen Sie die Deckenstange in das Loch des Motorgehäuses ein und drehen Sie sie, um die Löcher auf beiden Seiten mit den Löchern in der Deckenstange auszurichten [ABB 5].
- Führen Sie den Lastösenbolzen durch die Löcher, so dass er auch durch die untere Stange geht. Achten Sie darauf, keine der Drähte zu beschädigen. Führen Sie den Haarnadelbefestiger so durch den Lastösenbolzen, dass er fest sitzt [ABB 5].
- Ziehen Sie alle Schrauben mit dem angegebenen Drehmoment an. Dies minimiert das Risiko, dass die Deckenstange und der Ventilator herunterfallen [ABB 5].
- Wenn die Schrauben nicht fest angezogen sind, können Vibrationen am Motor auftreten. Das kann gefährlich sein [ABB 6].
- Nachdem Sie die obigen Schritte ausgeführt haben, montieren Sie die Aufhängungskugel auf der Deckenstange, setzen Sie den Verriegelungsstift in die Deckenstange ein und heben Sie die Kugel an. Ziehen Sie dann alle Schrauben fest an, um sicherzustellen, dass alle Elemente vollständig und sicher befestigt sind [ABB 6].

2.3. AUFHÄNGEN DES VENTILATORS AN DIE MONTAGEHALTERUNG UND ANHEFTEN DER FLÜGEL

- Heben Sie den Ventilator an die Montagehalterung an, stecken Sie die Aufhängekugel in die Montagehalterung durch die Öffnung und platzieren Sie sie vorsichtig [ABB 7].
- Drehen Sie die Kugel und richten Sie die Lasche im Montagewinkel am Schlitz der Aufhängungskugel aus [ABB 7].
- Nach dem Ausrichten nimmt der Ventilator automatisch die richtige Position ein. Dies verhindert, dass sich die Stange und der Ventilator während des Betriebs drehen [ABB 7].

2.4. FERNBEDIENUNG UND VERDRAHTUNGSANLEITUNG

- und schließen Sie die Kabel gemäß den Farbcodes an [ABB 8].
- Schließen Sie die Steckverschraubungen des Ventilators wie unten gezeigt an die Fernbedienung an:

SCHALTPLAN [ABB 9]

2.5. FLÜGEL ZUSAMMENBAU

- Entfernen Sie die 3 Schrauben und die LED von der Lampe [ABB 10]
- Führen Sie die Flügel durch die seitlichen Schlitze des Motorgehäuses und richten Sie sie an den 3 Löchern aus .
- Sichern Sie die Flügel mit 3 Flügelschrauben und stellen Sie sicher, dass die 3 Flügelschrauben richtig festgezogen sind [ABB 11].
- Ziehen Sie die Schrauben nicht zu fest an, da dies die Flügel beschädigen kann. Wiederholen Sie diesen Vorgang für alle Flügel [ABB 11].

HINWEIS: Wenn Sie mehr als einen Ventilator installieren, achten Sie darauf, die Flügel und Schrauben nicht zu mischen, da jedes Modell mit bestimmten Materialien und Teilen ausgestattet ist.

2.6. INSTALLATION DES LED-LICHTS UND DES GLASSCHIRMS

- Verbinden Sie die Kabel der LED-Leuchte mit den Kabeln des Ventilatormotors. Richten Sie die Schraublöcher der Lampenfassung mit denen am Motor aus und befestigen Sie beide Teile mit den mitgelieferten Schrauben [ABB 12].
- Ziehen Sie die LEDs mit den Schrauben an, die Sie von der Leuchte entfernt haben [ABB 13].
- Sorgfältig Glasschirm des Hauptkörpers installieren und im Uhrzeigersinn drehen, bis sie einrastet [ABB 14].

WARNUNG: Bei der Installation des Glasschirms nicht zu fest anziehen.

3. BETRIEB

Der Richtungsschalter am Ventilatorkörper steuert den Luftstrom:

- Winterfunktion: Drücken Sie den Schalter nach OBEN, damit die Flügel warme Luft in die Nähe der Decke zirkulieren lassen.
- Sommerfunktion: Drücken Sie den Schalter nach UNTEN, um eine Brise zu erzeugen und die Luftzirkulation zu verbessern.

WARNUNG: Bevor Sie den Richtungsschalter verwenden, schalten Sie den Ventilator aus und warten Sie, bis er sich nicht mehr dreht, um mögliche Verletzungen und Schäden am Motor zu vermeiden. Ändern Sie die Richtung, indem Sie den Schalter bei ausgeschaltetem Ventilator nach oben oder unten drücken.

FERNBEDIENUNG

Verwenden Sie die Fernbedienung, um den Ventilator ein- und auszuschalten und die Geschwindigkeit zu ändern [ABB 15].

- LICHT EIN/AUS
- Ventilatorgeschwindigkeit
- H - Höchste Geschwindigkeit
- M - Mittlere Geschwindigkeit
- L - Niedrigste Geschwindigkeit
- VENTILATOR STOPPS
- Timer
- 1H - automatische Abschaltung des Ventilators nach 1 Stunde
- 2H - automatische Abschaltung des Ventilators nach 2 Stunden
- 4H - automatische Abschaltung des Ventilators nach 4 Stunden
- 8H - automatische Abschaltung des Ventilators nach 8 Stunden

AUSTAUSCHEN DER BATTERIEN

1. Um die Batterien der Fernbedienung auszutauschen, drücken Sie auf die Batterieabdeckung und schieben Sie sie in Pfeilrichtung.
2. Diese Fernbedienung benötigt 1 x A23 12V Batterie.
3. Setzen Sie den Batteriefachdeckel wieder zusammen.

WARNUNG:

- Überprüfen Sie immer, ob der Batteriefachdeckel fest verschlossen ist.
- Setzen Sie die Fernbedienung niemals direktem Sonnenlicht aus.
- Versuchen Sie nicht, entladene Batterien durch Erhitzen oder Verwenden eines Batterieladegeräts aufzuladen. Wiederaufladbare Batterien sind immer als solche gekennzeichnet.
- Werfen Sie keine Batterien ins Feuer, da dies eine Explosion verursachen kann.

4. REINIGUNG UND WARTUNG

1. Trennen Sie den Ventilator immer vom Stromnetz und warten Sie, bis er zum Stillstand gekommen ist, bevor Sie ihn reinigen.
2. Reinigen Sie die Außenfläche mit einem weichen, feuchten Tuch.

ACHTUNG:

- Stellen Sie sicher, dass die Hauptnetzversicherung oder die Schalttafel ausgeschaltet ist, bevor Sie Reparaturen durchführen.
- Den Ventilator nicht in Wasser tauchen.
- Niemals Metallschwämme, Scheuermittel oder Chemikalien verwenden.
- Den Ventilator regelmäßig reinigen. Nur ein Tuch oder eine Bürste verwenden. Die Metalloberflächen sind mit Lack bedeckt, um eine Verdunkelung/Glanzverlust zu vermeiden.
- Das Innere des Produkts (insbesondere die Leiterplatte) nicht benetzen, da dies sehr gefährlich sein und den Ventilator beschädigen kann.
- Wenn Sie das Produkt nicht verwenden, ziehen Sie den Netzstecker aus der Steckdose. Legen Sie es zur Lagerung in die Originalverpackung und lagern Sie es bis zum nächsten Mal an einem trockenen und belüfteten Ort.

- Versuchen Sie im Fehler- oder Zweifelsfall nicht, den Ventilator selbst zu reparieren, um Brand- oder Stromschlaggefahr zu vermeiden.

5. FEHLERBEHEBUNG: DER VENTILATOR STARTET NICHT

1. Überprüfen Sie alle Sicherungen oder Leistungsschalter.
2. Schalten Sie die Stromversorgung aus und überprüfen Sie alle Kabelverbindungen.

VENTILATOR WIRD LAUT

1. Lassen Sie einem neuen Ventilator bei mittlerer oder hoher Geschwindigkeit immer ein paar Tage Einlaufzeit. Versuchen Sie, die genaue Lärmquelle zu bestimmen, indem Sie in mehreren Richtungen (Flügel, Motor, Beleuchtungssatz usw.) aufmerksam zuhören. Ventilatorgeräusche können von der Leuchteneinheit ausgehen.
2. Stellen Sie sicher, dass alle Schrauben an der Ventilatorbaugruppe und an der Leuchteneinheit richtig angeschraubt und fest angezogen sind. Wenn nicht, schalten Sie den Strom aus und ziehen Sie die Schrauben fest. Ziehen Sie die Schrauben mindestens einmal im Jahr an, da sie sich mit der Zeit langsam lösen und ein Poltern verursachen können.
3. Stellen Sie sicher, dass die Leuchteneinheit sicher am Ventilator befestigt ist und alle Schrauben am Glasschirm nur von Hand angezogen werden. Nicht mit einer Zange oder einem Schraubendreher festziehen.
4. Stellen Sie sicher, dass die Montagehalterung fest mit der Anschlussdose verbunden ist.
5. Vergewissern Sie sich, dass die Drahtmuttern im Schaltergehäuse oder im Baldachin nicht gegeneinander oder gegen die Gehäusewand klappern. Bei Bedarf mit Isolierband umwickeln.
6. Stellen Sie sicher, dass der Baldachin die Decke nicht berührt.
7. Stellen Sie sicher, dass die Schrauben, mit denen die Blatthalter am Motor befestigt sind, festgezogen sind und die vorgesehenen Sicherungsscheiben verwendet werden.

DER VENTILATOR ERZEUGT UNZULÄNGLICHEN LUFTDURCHFLUSS

1. Der Ventilator läuft möglicherweise rückwärts, sodass die Luft nach oben gerichtet wird.
2. Der Raum kann Gegenstände enthalten, die den Luftstrom behindern.
3. Der Ventilator ist möglicherweise zu klein für die Größe des Raums.

WACKELN DES VENTILATORS

HINWEIS: Geringes Wackeln wird als akzeptabel angesehen und sollte nicht als Defekt angesehen werden.

1. Stellen Sie sicher, dass die Montagehalterung sicher an der Decke befestigt ist und sich überhaupt nicht bewegt. Gegebenenfalls die Schrauben festziehen.
 2. Stellen Sie sicher, dass alle Schrauben, mit denen die Flügel an der Flügelhalterung und die Flügelhalterung am Motor festgezogen sind. Stellen Sie sicher, dass die Schrauben an der Leuchteneinheit und am Glaslampenschirm festgezogen sind.
-

ИНСТРУКЦИИ ЗА БЕЗОПАСНОСТ

- Уверете се, че захранващото напрежение е в съответствие с указаното на идентификационната табелка на уреда.
- Проверявайте редовно захранващия кабел за видими повреди. Ако кабелът е повреден, той трябва да бъде сменен от официален сервиз за техническа поддръжка, за да се избегнат всякакъв вид опасности.

ПРЕДУПРЕЖДЕНИЕ: Не използвайте уреда, ако неговият кабел, щепсел или корпус са повредени, както и ако е налице неизправност или ако продуктът е изпускан или повреден по някакъв начин.

- Уредът не е предназначен за използване от деца под 8 годишна възраст. Той може да се използва от деца на 8 години или по-големи, доколкото те са под постоянен надзор.
- Този уред не е предназначен за използване от лица с физически, сетивни или умствени нарушения или липса на опит или познания, освен ако не са под надзора или не са инструктирани относно безопасната употреба на уреда от лицето, отговорно за тяхната безопасност, и не разбират свързаните с него рискове.
- Малките деца трябва да бъдат под надзор, за да се гарантира, че не играят с уреда. Когато уредът се използва от или в близост до деца, е необходим стриктен контрол.
- Пазете уреда и захранващия му кабел извън досега на деца под 8-годишна възраст.
- Не се опитвайте да ремонтирате уреда сами. Свържете се с официален сервиз за техническа поддръжка за съвет.
- Почистването и техническото обслужване трябва да се изпълняват съгласно настоящите инструкции за експлоатация, за да се осигури изправно функциониране на уреда. Преди почистване изключвайте уреда и разединявайте кабела.
- Не поставяйте вентилатора близо до завеси, пердета или предмети, които могат да бъдат засмукани във вентилатора.
- Минималното разстояние между лопатките на вентилатора и пода трябва да бъде 2.3 m. Минималната носеща способност на изводната кутия, на която се окачва вентилаторът, трябва да бъде 45 kg.
- Не използвайте уреда в ограничени пространства с експлозивни или токсични изпарения.
- Този уред може да се използва от деца на възраст 8 години и по-големи и от лица с физически, сетивни или умствени нарушения или липса на опит или познания, при условие, че са под надзор или са инструктирани относно безопасната употреба на уреда и разбират свързаните с него рискове. Децата не трябва да се оставят да играят с уреда. Почистването и поддръжката от страна на потребителя не трябва да се извършват от деца без надзор.
- Задължително монтирайте на захранващите кабели на таванния вентилатор разединител на всички полюси с минимално разстояние между полюсите от 3 mm.

- Уверете се, че мястото на монтаж не позволява контакт между въртящите се лопатки и който и да било предмет и че е налице минимално разстояние от 150 mm (6") от върховете на лопатките до стената или тавана. Отбележете, че колкото по-голямо е разстоянието, толкова по-голям е въздушният поток, генериран от вентилатора.
 - Преди да започнете свързване или ремонт на вентилатора, изключете електрозахранването.
 - Електрическото опроводяване трябва да бъде в съответствие с местните разпоредби.
 - Вентилаторът трябва да бъде подходящо заземен, за да се избегне рискът от токови удари. Никога не монтирайте уреда в мокро или влажно помещение. Бъдете внимателни, когато работите в близост до въртящите се лопатки.
 - Този уред трябва да бъде монтиран в съответствие с националните норми за електрически монтаж.
 - Преди да свалите предпазителя, се уверете, че вентилаторът е изключен от електрическата мрежа.
 - Ако забележите необичайни вибрации, незабавно изключете таванния вентилатор и се свържете с производителя, негов сервизен представител или лице с подходяща квалификация.
 - Замяната на части на системата за безопасно окачване трябва да се изпълнява от производителя, негов сервизен представител или лице с подходяща квалификация.
 - Монтажът на системата за окачване трябва да се изпълнява от производителя, негов сервизен представител или лице с подходяща квалификация.
 - За да гарантирате безопасността на Вашите деца, съхранявайте опаковъчните материали (найлонови пликове, кутии, полистирол и т.н.) извън техния обсег.
- ВАЖНО:** По време на монтаж или техническо обслужване изключвайте главния електрически прекъсвач. Препоръчително е да изключвате щепсела на автоматичния прекъсвач преди вентилатора (трябва да бъдат изключени и мрежовият прекъсвач, и превключвателят на вентилатора).
- Не използвайте на открито. Продуктът трябва да се монтира на сухо място, където няма да бъде изложен на въздействието на вода или влага.
 - Не свързвайте двигателя на вентилатора с превключвател с димер. Това може да доведе до неизправност и повреда на двигателя.
 - Не се препоръчва таванни вентилатори и газови уреди да работят едновременно в едно и също помещение.
 - Преди да обърнете посоката на въртене на лопатките, изключете вентилатора и го изчакайте да спре. Така се предотвратява повреждането на двигателя на вентилатора и контролера.
-

- Не пъхайте предмети между лопатките на вентилатора по време на въртене. Това може да ги повреди, да наруши баланса на вентилатора и да предизвика вибрации.
- След като завършите монтажа на вентилатора, се уверете, че всички фиксатори на основата и лопатките на вентилатора са надеждно закрепени и затегнати, за да предотвратите всякакви проблеми.
- Вследствие на естественото движение на вентилатора, някои съединения могат да се разхлабят. Проверявайте опорните съединения, конзолите и фиксаторите на лопатките два пъти годишно, за да се уверите, че са надеждно закрепени. Ако са разхлабени, ги затягайте.
- Използването на електроуреди изисква спазване на някои основни правила, като:
 - Уредът не трябва да се пипа с мокри ръце или крака.
 - Уредът никога не трябва да се излага на въздействието на атмосферните условия (дъжд, слънце и т.н.).
 - Уредът не трябва да се използва близо до потенциално експлозивни или запалими течности или газове.
- Този продукт е предназначен само за домашна употреба, а не за промишлено или външно приложение.
- Дръжте батериите извън достъпа на деца и животни, тъй като те могат да причинят наранявания при поглъщане. В случай на поглъщане, незабавно потърсете медицинска помощ.
- Ако забележите видими признаци на повреда, пробиви или влошаване на свойствата, избягвайте директния контакт между батериите и кожата, очите или лигавичните мембрани. При контакт на протекли батерии с очите, незабавно ги промийте с обилно количество вода. Незабавно потърсете медицинска помощ.
- Преди да започнете монтажа, изключете електрозахранването.
- Светлинният източник на това осветително тяло не е сменяем; когато той достигне края на експлоатационния си срок, трябва да се смени цялото осветително тяло.
- Монтажът трябва да се извърши само от сертифициран електротехник.

[BG] ВЪВЕДЕНИЕ И ГАРАНЦИЯ

(V-TAC) ще ви послужи по най-добрия възможен начин. Моля прочетете тези инструкции внимателно преди инсталацията и съхранявайте ръководството за бъдещи справки. Ако имате други въпроси, моля свържете се с нашия дилър или с местния търговец, от който сте закупили продукта. Те са обучени и са готови да ви послужат по най-добрия начин. Гаранцията е валидна за период от 2 години след датата на закупуване. Гаранцията не се прилага по отношение на щети, причинени поради неправилен монтаж или необичайно износване. Дружеството не предоставя гаранция срещу щети по каквато и да е повърхност поради неправилното отстраняване и монтаж на продукта. Продуктите са подходящи за 10-12 часа експлоатация на ден. Експлоатацията на продукт в продължение на 24 часа води до обезсилване на гаранцията. Гаранцията за този продукт се дава само за производствени дефекти.

ЧАСТИ И КОМПОНЕНТИ [Фиг 1]

1. Монтажна конзола
2. Носещ прът и окачваща сфера
3. Панел
4. Корпус на двигателя на вентилатора
5. Осветително тяло
6. Стъклен абажур
7. Лопатки
8. Комплект винтове, монтажни части за конзолата (проводник, гайки, гумени шайби) и фиксатори

1. ПРЕДИ УПОТРЕБА

Разопакувайте внимателно таванния вентилатор, извадете всички части и компоненти и ги поставете върху кърпа или друга мека повърхност, за да не ги повредите. Не поставяйте корпуса на двигателя на една страна, за да не го повредите. Преди да започнете монтажа, проверете дали са налице всички части.

2. СГЛОБЯВАНЕ НА ПРОДУКТА

ПРЕДУПРЕЖДЕНИЕ: Всички операции по електроинсталацията трябва да се извършват след изключване на захранването чрез изваждане на стопяемите предпазители или изключване от автоматичния прекъсвач, за да се избегне рискът от токов удар.

СТЪПКИ ПРИ СГЛОБЯВАНЕТО:

2.1. МОНТИРАНЕ НА МОНТАЖНАТА КОНЗОЛА

- Окачващата конзола трябва да бъде завинтена към твърда, равна повърхност. Конструкцията, на която тя се монтира, трябва да издържа статично тегло, десет пъти по-голямо от това на вентилатора. При монтаж на таванния вентилатор на дървена греда, двата включени в доставката самонарезни винта би трябвало да са достатъчни за осигуряването на опора на таванния вентилатор. Включените шайби се поставят в следната последователност: винтова глава > кръгла шайба > пружинна шайба > монтажна конзола > таван [Фиг 3].
- Завийте монтажната конзола на тавана и се уверете, че всички съединения са надеждно затегнати, за да предотвратите падането на вентилатора. Разхлабете двата винта на панела от монтажната конзола [Фиг 3].

ЗАБЕЛЕЖКА: Самонарезните винтове са подходящи само за дървени тавани. При монтаж на таванния вентилатор на бетонни тавани или греди, пробийте отвори с помощта на бормашина и използвайте застопоряващи или разпъващи винтове (не са включени в доставката).

Необходими инструменти и материали (не са включени) [Фиг 2]

9. Дистанционно управление
10. Отвертка
11. Плоска отвертка
12. Регулируеми клещи или гаечен ключ
13. Подвижна стълба
14. Клещи за рязане на тел/проводник
15. Електрическа лента (изолирбанд)

2.2. МОНТАЖ НА НОСЕЩИЯ ПРЪТ И ОКАЧВАЩАТА СФЕРА

- Развийте винта на окачващата сфера на носещия прът, след което разхлабете окачващата сфера. Извадете застопоряващия щифт от вътрешността на носещия прът и извадете окачващата сфера от пръта [Фиг 4].
- Свалете свързващия щифт с шплент и U-образната скоба от носещия прът. Ако предпочитате да използвате по-дълъг носещ прът, монтирайте на него окачващата сфера и преместете на нея заземителния проводник. Прокарайте захранващите изводи от горната част на двигателя през целия носещ прът, докато не излязат от другата му страна [Фиг 4].
- Въведете носещия прът в отвора на корпуса на двигателя и го завъртете, за да подравните отворите от двете страни с отворите на носещия прът [Фиг 5].
- Прокарайте U-образната скоба през отворите, така че тя да премине и през носещия прът, като внимавате да не повредите проводниците. Прокарайте U-образната скоба през свързващия щифт с шплент и я фиксирайте добре [Фиг 5].
- Затегнете всички винтове на указания въртящ момент. Това свежда риска от падане на пръта и вентилатора до минимум [Фиг 5].
- Ако винтовете не са надеждно затегнати, могат да се появят вибрации при двигателя. Това може да бъде опасно [Фиг 6].
- След като изпълните горните стъпки, монтирайте окачващата сфера на носещия прът, въведете застопоряващия щифт в носещия прът и повдигнете сферата. След това затегнете всички винтове добре, за да осигурите цялостно и надеждно фиксиране на всички елементи [Фиг 6].

2.3. ОКАЧВАНЕ НА ВЕНТИЛАТОРА НА МОНТАЖНАТА КОНЗОЛА И ПРИКРЕПВАНЕ НА ЛОПАТКИТЕ

- Вдигнете вентилатора до монтажната конзола, поставете окачващата сфера на монтажната конзола през отвора и внимателно я положете [Фиг 7].
- Завъртете сферата и подравнете ухото на монтажната скоба с прореза на окачващата сфера [Фиг 7].
- След като ги подравните, вентилаторът автоматично заема правилното си положение. То предотвратява въртенето на пръта и вентилатора по време на работа [Фиг 7].

2.4. ДИСТАНЦИОННО УПРАВЛЕНИЕ И ИНСТРУКЦИИ ЗА ОПРОВОДЯВАНЕ

- Въведете приемника през окачващата конзола и свържете проводниците, като спазвате цветовите кодове [Фиг 8].
- Свържете натискащите се конектори от вентилатора с дистанционното управление, както е показано по-долу:

ЕЛЕКТРИЧЕСКА СХЕМА [Фиг 9]

2.5. СГЛОБЯВАНЕ НА ЛОПАТКИТЕ

- Свалете трите винта и светодиодите от осветителя [Фиг 10].
- Введете лопатките през страничните прорези на корпуса на двигателя и ги подравнете с 3 отвора [Фиг 11].
- Фиксирайте лопатките с 3 винта и затегнете добре трите винта на лопатките [Фиг 11].
- Не претягайте винтовете, тъй като това може да повреди лопатките. Повторете тази процедура за всички лопатки [Фиг 11].

ЗАБЕЛЕЖКА: Ако монтирате повече от един вентилатор, внимавайте да не размените лопатките и винтовете, тъй като всеки модел е оборудван със специфични за него материали и части.

2.6. МОНТАЖ НА LED ОСВЕТИТЕЛЯ И СТЬКЛЕНИЯ АБАЖУР

- Свържете проводниците на LED осветителя с тези на двигателя на вентилатора. Подравнете винтовите отвори на фасунгата с тези на двигателя и прикрепете частите с помощта на включените в доставката винтове [Фиг 12].
- Затегнете светодиодите с винтовете, които свалихте от осветителя [Фиг 13].
- Внимателно монтирайте стъкления абажур на основния корпус и го завъртете по часовниковата стрелка, за да го заключите [Фиг 14].

ПРЕДУПРЕЖДЕНИЕ: Не претягайте винтовете при монтажа на стъкления абажур.

3. ФУНКЦИОНИРАНЕ

Превключвателят на посоката на корпуса на вентилатора регулира въздушния поток:

- Зимен режим: преместете превключвателя нагоре, за да може лопатките да циркулират топлия въздух около тавана.
- Летен режим: преместете превключвателя надолу, за да може лопатките да генерират бриз и да подобряват циркулацията на въздуха.

ПРЕДУПРЕЖДЕНИЕ: Преди да използвате превключвателя на посока, изключете вентилатора и го изчакайте да спре да се върти, за да избегнете потенциалните наранявания и повреждането на двигателя. Сменете посоката, като преместите превключвателя нагоре или надолу при изключен вентилатор.

ДИСТАНЦИОННО УПРАВЛЕНИЕ

Използвайте дистанционното управление за включване и изключване на вентилатора и за смяна на скоростите [Фиг 15].

- ВКЛЮЧВАНЕ/ИЗКЛЮЧВАНЕ на осветителя
- Таймер
- Скорост на вентилатора
 - 1Н-автоматично изключване на вентилатора след 1 час
 - 2Н-автоматично изключване на вентилатора след 2 часа
 - 4Н-автоматично изключване на вентилатора след 4 часа
 - 8Н-автоматично изключване на вентилатора след 8 часа
- Н – най-висока скорост
- М – средна скорост
- L – най-ниска скорост
- Спиране на вентилатора

СМЯНА НА БАТЕРИИТЕ

1. За да смените батериите на дистанционното управление, натиснете капака на батерийното отделение и го плъзнете по посока на стрелката.
2. За дистанционното управление е необходима 1 батерия А23 12V.
3. Поставете отново капака на батерийното отделение.

ПРЕДУПРЕЖДЕНИЕ:

- Винаги проверявайте дали капакът на батерийното отделение е затворен добре.
- Никога не оставяйте дистанционното управление на пряка слънчева светлина.
- Не се опитвайте да презареждате разредените батерии, като ги нагривате или посредством зарядно устройство за батерии. Презаредимите батерии винаги са означени като такива.
- Не хвърляйте батериите в огън, тъй като това може да причини експлозия.

4. ПОЧИСТВАНЕ И ТЕХНИЧЕСКО ОБСЛУЖВАНЕ

1. Винаги разединявайте вентилатора от захранването и го изчаквайте да спре преди почистване.
2. Почиствайте външната повърхност с мека влажна кърпа.

ПРЕДУПРЕЖДЕНИЕ:

- Преди да започнете ремонт, се уверявайте, че захранването е изключено от главния стопяем предпазител или автоматичния прекъсвач.
- Не потапяйте вентилатора във вода.
- Никога не използвайте метални гъби, абразивни почистващи средства или химикали.
- Почиствайте периодично вентилатора. Използвайте само кърпа или четка. Металните повърхности са покрити с лак за предотвратяване на потъмняването/загубата на блясък.
- Не мокрете вътрешните части на продукта (по-специално печатната платка), тъй като това може да бъде много опасно и да причини повреда на вентилатора.
- Когато не използвате продукта, го разединявайте от електрозахранването. За съхранение, го поставете в оригиналната му кутия и го оставете на сухо и проветриво място до следващата употреба.

- В случай на неизправност или ако имате някакви съмнения, не се опитвайте да ремонтирате сами вентилатора, за да избегнете риска от пожар или токов удар.

5. ОТКРИВАНЕ И ОТСТРАНЯВАНЕ НА НЕИЗПРАВНОСТИ ВЕНТИЛАТОРЪТ НЕ СЕ ЗАДЕЙСТВА

1. Проверете всички стопяеми предпазители или автоматични прекъсвачи.
2. Изключете електрозахранването и проверете всички кабелни съединения.

ВЕНТИЛАТОРЪТ РАБОТИ ШУМНО

1. Винаги оставяйте период от няколко дена за “разработване” на новия вентилатор при средна или висока скорост. Опитайте се да диагностицирате точното местоположение на шума, като слушате внимателно от няколко страни (лопатки, двигател, блок на осветителя и т.н.). Шумът при вентилатора може да идва от блока на осветителя.
2. Уверете се, че всички винтове на блока на вентилатора и блока на осветителя са добре завинтени и затегнати. Ако не са, изключете електрозахранването и затегнете винтовете. Затягайте винтовете минимум веднъж годишно, тъй като те могат да се разхлабват бавно с течение на времето и да генерират тракащ шум.
3. Уверете се, че блокът на осветителя е надеждно фиксиран към вентилатора и че всички винтове на стъкления абажур са затегнати само ръчно. Не ги затягайте с помощта на клещи или отвертка.
4. Уверете се, че монтажната конзола е монтирана плътно до съединителната кутия.
5. Уверете се, че гайките на проводниците в корпуса на превключвателите или на панела не се блъскат една в друга или в стената на корпуса. Ако е необходимо, ги увийте с изолирбанд.
6. Уверете се, че панелът не се допира до тавана.
7. Уверете се, че винтовете, фиксиращи държачите на лопатките към двигателя, са затегнати и че се използват предвидените за целта зегерови пръстени.

ВЕНТИЛАТОРЪТ НЕ ГЕНЕРИРА ГОЛЯМ ВЪЗДУШЕН ПОТОК

1. Вентилаторът може да работи в обратна посока и въздухът може да е насочен нагоре.
2. Помещението може да съдържа предмети, които пречат въздушния поток.
3. Вентилаторът може да бъде твърде малък за размерите на помещението.

ВИБРИРАНЕ НА ВЕНТИЛАТОРА

ЗАБЕЛЕЖКА: Неголемите вибрации се считат за приемливи и не трябва да се разглеждат като дефект.

1. Уверете се, че монтажната конзола е фиксирана добре към тавана и че не се движи изобщо. Ако е необходимо, затегнете винтовете.
2. Уверете се, че всички винтове, фиксиращи лопатките към опората на лопатките и опората на лопатките към двигателя, са затегнати. Уверете се, че винтовете на блока на осветителя и стъкления абажур са затегнати.

SIGURNOSNE UPUTE

- Uvjerite se da mrežni napon odgovara naponu navedenom na deklaraciji uređaja.
- Redovito provjeravajte kabel napajanja na vidljiva oštećenja. Ako je kabel oštećen, mora ga zamijeniti službena osoba službe za tehničku podršku kako bi se izbjegla bilo kakva opasnost.

UPOZORENJE: Nemojte koristiti aparat ako su njegov kabel, utikač ili kućište oštećeni, niti nakon kvara, pada ili oštećenja na bilo koji drugi način.

- Uređaj nije namijenjen djeci mlađoj od 8 godina, a djeca starija od 8 godina ga mogu koristiti pod uvjetom da su pod stalnim nadzorom.
 - Ovaj uređaj ne smiju koristiti osobe sa smanjenim fizičkim, senzornim ili mentalnim sposobnostima ili nedostatkom iskustava ili znanja, osim ako se iste nalaze pod nadzorom ili su dobile upute u pogledu korištenja uređaja od strane osobe koja je odgovorna za njihovu sigurnost i koja razumije opasnost.
 - Nadgledajte malu djecu da se ne igraju s uređajem. Potreban je strog nadzor kada se aparatom koriste djeca ili u se aparat nalazi u blizini djece.
 - Čuvajte uređaj i kabel izvan doseg djece mlađe od 8 godina.
 - Ne pokušavajte sami popraviti aparat. Za savjet se obratite službi Tehničke podrške.
 - Čišćenje i održavanje se moraju obavljati u skladu s ovim priručnikom kako bi se osiguralo pravilno funkcioniranje uređaja. Prije čišćenja isključite i iskopčajte uređaj iz napajanja.
 - Provjerite nije li ventilator postavljen u blizini zavjesa ili bilo kakvih predmeta koji se mogu uvući u ventilator.
 - Minimalna udaljenost između lopatica ventilatora i poda mora biti 2,3 m. Minimalna nosivost izlazne kutije s koje je obješen ventilator mora biti 45 kg.
 - Uređaj ne koristite u zatvorenim prostorima s eksplozivnim ili otrovnim isparavanjima.
 - Ovaj uređaj mogu koristiti djeca starosti od 8 godina i više te osobe sa smanjenim fizičkim, senzornim ili mentalnim sposobnostima ili nedostatkom iskustava i znanja, ako su pod nadzorom ili su dobili upute o sigurnom korištenju uređaja i razumiju opasnosti. Djeca se ne smiju igrati s uređajem. Djeca ne smiju čistiti niti održavati uređaj bez nadzora.
 - Obavezno ugradite prekidač za isključivanje svih polova s minimalnim razmakom od 3 mm među polovima u ožičenju za napajanje stropnog ventilatora.
 - Mjesto instalacije ne smije dopuštati da rotirajuće lopatice ventilatora dođu u kontakt s bilo kojim predmetom. Osigurajte minimalnu udaljenost od 150 mm (6 ") od vrha noža do zida ili stropa. Imajte na umu da što je veća udaljenost, to će veću struju zraka proizvesti ventilator.
 - Prije spajanja ili popravljanja ventilatora isključite napajanje.
-

- Električno ožičenje mora biti u skladu s lokalnim propisima.
- Ventilator mora biti pravilno uzemljen kako bi se izbjegla opasnost od električnog udara. Nikada ne montirajte ventilator u vlažnoj ili mokroj sobu. Budite oprezni kada radite u blizini rotirajućih lopatica.
- Uređaj mora biti ugrađen u skladu s državnim propisima o električnim instalacijama.
- Prije uklanjanja štitnika, provjerite je li ventilator isključen iz mreže.
- Ako primijetite neobično oscilirajuće kretanje, odmah prestanite koristiti stropni ventilator i obratite se proizvođaču, njegovom servisnom agentu ili odgovarajućim kvalificiranim osobama.
- Zamjenu dijelova uređaja sigurnosnog ovjesa provode proizvođač, njegov servisni agent ili odgovarajuće kvalificirane osobe.
- Montažu sustava ovjesa provodi proizvođač, njegov servisni agent ili odgovarajuća kvalificirana osoba.
- Da biste garantirali sigurnost svoje djece, držite svu ambalažu (plastične vrećice, kutije, stiropor itd.) dalje od njihovog domašaja.

VAŽNO: Tijekom instalacije ili održavanja isključite glavni električni prekidač. Preporučuje se isključiti utikač automatske sklopke prije ventilatora (morate isključiti i mrežni prekidač, i prekidač ventilatora).

- Ne koristite ventilator na otvorenom. Proizvod mora biti instaliran na suhom mjestu, gdje nije izložen vodi ili vlazi.
 - Ne priključujte motor ventilatora na prigušivač. To može uzrokovati neispravnost ili oštećenje motora.
 - Ne preporučuje se da stropni ventilatori i plinski uređaji rade istodobno i u istoj prostoriji.
 - Ventilator mora biti u potpunosti isključen i zaustavljen prije promjene smjera kretanja lopatica. Tako ćete spriječiti oštećenje motora i regulatora ventilatora.
 - Ne stavljajte nikakve predmete u lopatice ventilatora tijekom rada. To će oštetiti lopatice i poremetiti ravnotežu ventilatora.
 - Nakon što se ventilator u potpunosti instalira, pobrinite se da su sve spojnice postolja i lopatica ventilatora osigurane i zategnute kako ne bi došlo do problema.
 - Neke se spojnice mogu razlabaviti uslijed prirodnog kretanja ventilatora. Dva puta godišnje provjeravajte spojnice nosača i lopatica da biste bili sigurni da su dobro pričvršćeni. Ako su poneke spojnice labave, zategnite ih.
 - Upotreba električnih uređaja zahtijeva pridržavanje osnovnim pravilima kao što su:
 - Ne dodirujte uređaj mokrim rukama ili nogama
 - Ne izlažite uređaj atmosferskim elementima (kiši, suncu itd.)
 - Ne koristite uređaj pored potencijalno eksplozivnih ili zapaljivih tekućina ili plinova.
 - Ovaj je proizvod namijenjen samo za kućanstvo, a ne za komercijalnu ili upotrebu na otvorenim prostorima.
-

- Baterije držite izvan dohvata djece i životinja, jer mogu prouzrokovati oštećenja u slučaju gutanja. U slučaju gutanja odmah se obratite liječniku.
- Ako primijetite bilo kakve vidljive znakove oštećenja, rupa ili oštećenja, izbjegavajte izravan dodir baterija i kože, očiju ili sluznice. Ako baterije isteknu i dođu u kontakt s očima, odmah isperite oči obilnom vodom te se odmah obratite liječniku.
- Prije instalacije isključite napajanje.
- Svjetlosno tijelo ove svjetiljke nije zamjenjiv. Kada svjetlosno tijelo dođe do kraja života, treba zamijeniti cijelu svjetiljku.
- Instalaciju smije obavljati samo ovlašteni električar.

[HR] UVOD I JAMSTVO

Hvala vam, što ste odabrali i kupili tvrtke Vi-Tek (V-TAC). Vi-Tek (V-TAC) će vam poslužiti na najbolji mogući način. Molimo, pažljivo pročitajte ove upute prije instalacije i spremite upute za buduću uporabu. Ako imate dodatnih pitanja, molimo obratite se našem prodavaču ili lokalnom trgovcu gdje ste kupili ovaj proizvod. Oni su osposobljeni i spremni vam pomognu na najbolji način. Jamstvo za ovaj proizvod vrijedi za razdoblje od 2 godine, računajući od dana kupnje. Jamstvo se ne odnosi na štetu, nastalu nepravilnom ugradnjom ili neuobičajenim habanjem. Tvrtka ne jamči za štete koje nastanu po bilo kojoj površini proizvoda, zbog nepravilne demontaže odnosno i ugradnje proizvoda. Ovi proizvodi su prikladni za 10-12 sati rada dnevno. Uporaba proizvod 24 sata dnevno čini ovo jamstvo nevažeće. Jamstvo za ovaj proizvod dano je samo za nedostatke koji su nastali samo tijekom njegove proizvodnje.

DIJELOVI I KOMPONENTE [Slika 1]

1. Nosač za montiranje
 2. vertikalna šipka i kuglica za vješanje
 3. Panel
 4. Kućište motora
 5. Svjetlosno tijelo
 6. Stakleno sjenilo
 7. Lopatice
 8. Komplet vijaka, dijelova za ugradnju nosača (žice, matice, gumene podloške) i držača
-

Potrebni alati i materijal (nisu uključeni) [Slika 2]

9. Daljinsko upravljanje
10. Odvijač
11. Ravni odvijač
12. Podesiva kliješta ili ključ
13. Ljestve
14. Rezač žica
15. Električna vrpca

1. PRIJE UPORABE

Pažljivo otpakujte stropni ventilator, zatim izvadite sve dijelove i komponente i položite na krpu ili meku površinu kako ne bi došlo do oštećenja. Ne postavljajte kućište motora na bok, kućište se može oštetiti. Prije početka instalacije provjerite jesu li uključeni svi dijelovi.

2. SASTAVLJANJE PROIZVODA

POZOR: Sve električne zadatke treba izvoditi samo nakon isključivanja električne energije uklanjanjem osigurača ili isključivanjem prekidača kako bi se izbjegla opasnost od električnog udara.

KORACI PRI SASTAVLJANJU:

2.1. MONTAŽA NOSAČA

- Nosač se mora montirati na čvrstu ravnu površinu. Podloga na koju će se montirati mora biti u stanju izdržati deset puta više od statične težine ventilatora. Ukoliko montirate ventilator na drveni strop ili podlogu dva samorezna vijka koja su isporučena uz proizvod bi bila dovoljna. Priloženi podlošci moraju biti smješteni u sljedećem redoslijedu: glava vijaka > okrugla podloška > opružna podloška > nosač za montažu > strop [Slika 3].
- Pričvrstite nosač na strop i provjerite jesu li svi priključci sigurni da ventilator ne padne. Odvijte dva vijka za panel s nosača [Slika 3].

NAPOMENA: Samorezni vijci prikladni su samo za drvene stropove. U slučaju ugradnje stropnog ventilatora na betonske stropove ili podloge, koristite bušilicu za izradu rupa, ili tiple i samoproširive vijke (nisu uključeni).

2.2. INSTALACIJA VERTIKALNE ŠIPKE I KUGLIČE ZA VJEŠANJE

- Odvijte vijak na kugli za vješanje vertikalne šipke, a zatim razlabavite kuglicu. Uklonite zaporni svornjak iz vertikalne šipke i uklonite kuglicu za vješanje s šipke [Slika 4].

- Skinite priključni čep s iglom i stezaljku s vertikalne šipke. Ako želite koristiti dulju šipku, montirajte kuglu na nju i obavezno premjestite žicu za uzemljenje s jedne na drugu. Provucite žice za napajanje s vrha motora kroz vertikalnu šipku dok ne izađe na drugi kraj [Slika 5].
- Umetnite vertikalnu šipku u otvor za kućište motora i okrenite je da biste poravnali rupe na obje strane s rupama na vertikalnoj šipci [Slika 5].
- Provucite stezaljku kroz otvore tako da prođe i kroz vertikalnu šipku, pazeći da ne oštetite žice. Provucite priključni čep kroz stezaljku te ga dobro zategnite [Slika 5].
- Pritegnite sve vijke postavljene do sada, tako će šipka i ventilator minimalno njihati.
- Ako vijci nisu pravilno zategnuti, motor će se možda njihati, a to može biti opasno [Slika 6].
- Nakon završetka svih gore navedenih koraka, postavite kuglicu za vješanje na vertikalnu šipku, umetnite zaporni čep u vertikalnu šipku i podignite kuglu za vješanje. Zatim dobro pričvrstite sve vijke, da su svi budu potpuno i sigurno učvršćeni [Slika 6].

2.3. OBJEŠANJE VENTILATORA NA NOSAČ I PRIČVRŠĆIVANJE LOPATICA

- Podignite ventilator do nosača, ubacite kuglicu za vješanje ball u nosač kroz otvor i pažljivo ga ostavite [Slika 7].
- Zakrenite kuglu i provjerite je li jezičak smješten u nosaču za postavljanje poravnat sa utorom kugle za vješanje [Slika 7].
- Kada su poravnati, ventilator će automatski zauzeti ispravni položaj. To će spriječiti njihanje šipke i ventilatora za vrijeme rada [Slika 7].

2.4. UPUTE ZA DALJINSKU UPRAVLJANJE I OŽIČENJE

- Provucite prijemnik kroz viseći nosač i povežite žice slijedeći kodove boja [Slika 8].
- Povežite konektore ventilatora sa daljinskim upravljanjem kao što je navedeno dolje:

DIJAGRAM OŽIČENJA [Slika 9]

2.5. SASTAVLJANJE LOPATICA

- Uklonite 3 vijka i LED diode iz žaruljice [Slika 10].
 - Umetnite lopatice kroz bočne proreze kućišta motora i poravnajte ih s 3 otvora. Osigurajte svaku lopaticu s 3 vijka i provjerite jesu li sva 3 vijka dobro zategnuta [Slika 11].
 - Nemojte previše zategnuti vijke jer to može oštetiti lopatice. Ponovite ovaj postupak za sve lopatice [Slika 11].
- NAPOMENA: ukoliko montirate više od jednog ventilatora, pazite da ne miješate lopatice i vijke jer je svaki model projektiran sa specifičnim materijalima i dijelovima.
-

2.6. UGRADNJA LED SVJETLA I STAKLENOG SJENILA

- Spojite žice LED svjetla sa žicama motora ventilatora. Poravnajte rupe za vijke nosača lampe s onima na motoru i pričvrstite oba dijela pomoću isporučених vijaka [Slika 12].
 - Uklonjeni vijci za učvršćenje lampe zategnite LED [Slika 13].
 - Pažljivo ugradite stakleno sjenilo u glavno tijelo i okrenite ga u smjeru kazaljke na satu dok se zaključa.
- POZOR:** Prilikom postavljanja staklenog sjenila nemojte prezatezati vijke [Slika 14].

3. RUKOVANJE

prekidač smjera na tijelu ventilatora kontrolira protok zraka:

- Zimska funkcija: pritisnite prekidač UP kako bi lopatice pomicale topli zrak u blizini stropa.
- Ljetna funkcija: pritisnite prekidač DOWN za lopatice kako biste stvorili povjetarac i poboljšali cirkulaciju zraka.

POZOR: Prije korištenja prekidača za smjer, isključite ventilator i provjerite je li se ventilator prestao okretati kako bi se spriječile moguće ozljede i oštećenja motora. Promijenite smjer pritiskom na prekidač gore ili dolje ukoliko ventilator nije ugašen.

DALJINSKI UPRAVLJAČ

Koristite daljinski upravljač da uključite i isključite ventilator te da promijenite njegovu brzinu [Slika 15].

- Svjetlo uključeno / isključeno
 - Brzina ventilatora
 - H - Najveća brzina
 - M - srednja brzina
 - L - najniža brzina
 - VENTILATOR STOP
 - Sat
 - 1H-Automatsko isključivanje ventilatora nakon 1 sata
 - 2H-Automatsko isključivanje ventilatora nakon 2 sata
 - 4H-Automatsko isključivanje ventilatora nakon 4 sata
 - 8H-Automatsko isključivanje ventilatora nakon 8 sati
-

ZAMJENA BATERIJA

1. Za zamjenu baterija daljinskog upravljača pritisnite poklopac za bateriju i gurnite ga u smjeru strelice.
2. Daljinski upravljač koristi jednu bateriju A23 12V.
3. Ponovno vratite poklopac na mjesto nakon zamjene baterije.

POZOR:

- Uvijek pazite da se poklopac odjeljka za baterije pravilno zatvori.
- Ne izlažite daljinski upravljač izravnoj sunčevoj svjetlosti.
- Nemojte pokušavati ponovo napuniti ispražnjene baterije grijanjem ili punjačem. Punjive baterije uvijek su definirane kao takve.
- Ne bacajte baterije u vatru, jer može doći do eksplozije.

4. ČIŠĆENJE I ODRŽAVANJE

1. Prije čišćenja uvijek isključite ventilator od napajanja i pustite ga da se zaustavi.
2. Očistite vanjsku površinu mekom vlažnom krpom.

POZOR:

- Prije popravaka provjerite je li napajanje isključeno na glavnom osiguraču ili upravljačkoj ploči.
- Ne uranjajte ventilator u vodu.
- Nikada ne koristite abrazivna ili kemijska sredstva za čišćenje.
- Povremeno očistite ventilator. Koristite samo krpu ili četku. Metalni premazi završeni su lakom kako bi se spriječilo potamnjenje.
- Ne dopustite da se dijelovi unutar proizvoda namoče (posebno na električnoj ploči), to može biti vrlo opasno i oštetiti ventilator.
- Dok se proizvod ne koristi, provjerite je li isključen iz napajanja. Da biste ga pohranili, spremite ga u originalnu kutiju i čuvajte na svježem i suhom mjestu do ponovne uporabe.
- U slučaju kvara ili sumnje o kvaru ne pokušavajte samostalno popraviti ventilator kako biste izbjegli opasnost od požara ili strujnog udara.

5. NAJČEŠĆI PROBLEMI: VENTILATOR SE NE POKREĆE

1. Provjerite sve osigurače prekidače napajanja.
 2. Isključite električnu energiju i provjerite sve žice napajanja.
-

VENTILATOR JE BUČAN

1. Uvijek ostavite nekoliko dana "pauze" za bilo koji novi ventilator pri srednjoj ili velikoj brzini. Pokušajte dijagnosticirati točnu lokaciju buke slušajući pažljivo s nekoliko strana (lopatice, motor, svjetlosni komplet itd.) Buka ventilatora može dolaziti iz svjetlosnog kompleta.
2. Provjerite jesu li svi vijci u sklopu ventilatora i svjetlosni kit dobro zaviti. Ako ne, isključite napajanje i pritegnite vijke. Pritegnite sve vijke barem jednom godišnje jer se tijekom vremena mogu polako otpustiti i prouzročiti šum.
3. Provjerite je li svjetlosni komplet dobro pričvršćen za ventilator, te jesu li svi vijci za staklo pritegnuti samo ručno. Nemojte koristiti kliješta ili odvijač za zatezanje.
4. Provjerite je li nosač dobro pričvršćen na razvodnu kutiju.
5. Provjerite da li žice na kućištu prekidača ili panela ne zveckaju jedna o drugu ili udaraju o zid kućišta. Po potrebi ih omotajte električnom trakom.
6. Pazite da panel ne dodiruje strop.
7. Uvjerite se da su vijci koji pričvršćuju držače lopatica na motor čvrsto stegnuti i da su korišteni predviđeni podlošci za tu svrhu.

VENTILATOR NE PROIZVODI PUNO ZRAKA

1. Ventilator može raditi u suprotnom smjeru, tako da je zrak usmjeren prema gore.
2. U sobi se mogu nalaziti predmeti koji ometaju protok zraka.
3. Ventilator može biti premalen za veličinu prostorije.

NJIHANJE VENTILATORA

NAPOMENA: Mala količina titranja smatra se prihvatljivom i ne treba je smatrati nedostatkom.

1. Provjerite je li nosač pričvršćen na strop, bez ikakvog pomicanja. Po potrebi pritegnite vijke.
 2. Provjerite jesu li svi vijci koji drže lopatice dobro pričvršćene. Rasvjetni komplet i vijci za staklo moraju biti dobro pričvršćeni.
-

INSTRUÇÕES DE SEGURANÇA

- Verifique que a tensão da fonte de alimentação está de acordo com o indicado na placa de características do aparelho.
- Verifique com regularidade o cabo de alimentação para danos visíveis. Se o cabo estiver danificado, ele deverá ser substituído por um serviço de suporte técnico autorizado para evitar qualquer tipo de risco.

ATENÇÃO: Não use o aparelho se o cabo, a ficha ou a carcaça estiverem danificados ou com mau funcionamento ou se o produto foi deixado cair ou foi danificado de alguma forma.

- O aparelho não deve ser utilizado por crianças com menos de 8 anos de idade. Pode ser usado por crianças de 8 anos ou mais, desde que estejam sob supervisão permanente.
- Este aparelho não se destina ao uso por pessoas (incluindo crianças) com incapacidades físicas, sensoriais ou mentais ou com falta de experiência e conhecimento, a menos que estejam sob a supervisão ou instruídas sobre o uso do aparelho pela pessoa responsável pela sua segurança.

As crianças também devem estar monitoradas para garantir que não brinquem com o aparelho. É necessário um controlo estrito quando o aparelho for usado por crianças ou perto de crianças.

- Mantenha o aparelho e o cabo de alimentação fora do alcance de crianças com menos de 8 anos.
 - Não tente reparar o aparelho por si só. Entre em contato com um serviço de suporte técnico oficial para obter orientação.
 - A limpeza e manutenção devem ser realizadas de acordo com estas instruções de operação para garantir que o aparelho esteja a funcionar corretamente. Antes de limpar, desligue o aparelho e desconecte o cabo.
 - Não coloque o ventilador próximo a cortinas, cortinados ou objetos que possam ser sugados pelo ventilador.
 - A distância mínima entre as pás do ventilador e o piso deve ser de 2,3 m. A capacidade mínima de carga da caixa de saída na qual o ventilador está montado deve ser de 45 kg.
 - Não utilize o aparelho em espaços confinados com vapores explosivos ou tóxicos.
 - Este aparelho pode ser usado por crianças com 8 anos de idade ou mais e por pessoas com deficiências físicas, sensoriais ou intelectuais ou falta de experiência ou conhecimento, desde que supervisionadas ou instruídas sobre o uso seguro do aparelho e entender os riscos envolvidos. As crianças não devem poder brincar com o aparelho. A limpeza e manutenção do usuário não devem ser realizadas por crianças desacompanhadas.
 - Certifique-se de instalar um disjuntor em todos os pólos nos cabos de alimentação do ventilador de teto com uma distância mínima de 3 mm.
-

- Verifique que a posição de instalação evita o contato entre as aspas rotativas e qualquer objeto e que existe uma distância mínima de 150 mm (6 polegadas) entre as pontas das aspas e a parede ou o teto. Observe que quanto maior a distância, maior o fluxo de ar gerado pelo ventilador.
 - Desligue a energia antes de começar a instalar ou reparar o ventilador.
 - A fiação elétrica deve estar de conformidade com os regulamentos locais.
 - O ventilador deve estar adequadamente aterrado para evitar o risco de choque elétrico. Nunca instale o aparelho em locais molhados ou húmidos.
 - Tenha cuidado ao trabalhar perto das aspas rotativas.
 - Este aparelho deve ser instalado de acordo com os regulamentos nacionais para instalação elétrica.
 - Antes de remover o protector, verifique que o ventilador está desconectado da rede elétrica.
 - Se detectar vibrações não habituais, desligue o ventilador de teto imediatamente e entre em contato com o fabricante, seu representante de serviço ou uma pessoa devidamente qualificada.
 - A substituição de peças do sistema de suspensão de segurança deve ser realizada pelo fabricante, seu representante de serviço ou uma pessoa devidamente qualificada.
 - A montagem do sistema de suspensão deve ser realizada pelo fabricante, seu representante de serviço ou uma pessoa devidamente qualificada.
 - Para garantir a segurança dos seus filhos, mantenha os materiais de embalagem (sacos plásticos, caixas, poliestireno etc.) fora do alcance deles.
- AVISO: Desconecte o disjuntor principal durante a instalação ou manutenção. É aconselhável desconectar o disjuntor antes do ventilador (o disjuntor e o interruptor do ventilador devem ser desligados).
- Não use ao ar livre. O produto deve ser instalado num local seco, onde não haja exposição a água ou humidade.
 - Não conecte o motor do ventilador a um dimmer elétrico. Isso pode causar mau funcionamento do motor e danos.
 - Não é recomendável que ventiladores de teto e aparelhos a gás funcionem na mesma sala ao mesmo tempo.
 - Antes de alterar o sentido de rotação da aspa, desligue o ventilador e aguarde até que ele pare. Isso evita danos ao motor do ventilador e ao controlador.
 - Não insira objetos entre as aspas do ventilador enquanto estiver a girar. Fazer isso pode danificá-los, perturbar o equilíbrio do ventilador e causar vibrações.
 - Após concluir a instalação do ventilador, certifique-se de que todos os retentores da base e das aspas do ventilador estejam firmemente fixados e apertados para evitar problemas.
-

- Com o tempo e devido ao movimento natural do ventilador, algumas conexões podem soltar-se. Verifique as conexões de suporte, os suportes e as fixações das aspas duas vezes por ano para garantir que eles estejam bem presos. Se solto, aperte-os.
- O uso de eletrodomésticos requer conformidade com algumas regras básicas, como:
 - Não toque no aparelho com as mãos ou os pés molhados.
 - O aparelho nunca deve ser exposto a intempéries (chuva, sol, etc.).
 - O aparelho não deve ser utilizado perto de líquidos ou gases potencialmente explosivos ou inflamáveis.
- Este produto é apenas para uso doméstico e não para uso industrial ou externo.
- Mantenha as baterias fora do alcance de crianças e animais, pois elas podem causar ferimentos se ingeridas. Se ingerido, procure assistência médica imediatamente.
- Se notar algum sinal visível de dano, quebra ou deterioração, evite o contato direto entre as baterias e a pele, olhos ou mucosas. Se as baterias expostas entrarem em contato com os olhos, lave imediatamente com água em abundância. Procure imediatamente assistência médica.
- Antes de iniciar a instalação, desconecte a fonte de alimentação.
- A fonte de luz desta iluminação não é intercambiável; quando atingir o fim de sua vida útil, toda a luminária deve ser substituída.
- A instalação deve ser realizada apenas por um electricista certificado.

[PT] INTRODUÇÃO E GARANTIA

Agradecemos que escolheu e adquiriu o produto da V-TAC. A V-TAC irá servir-lhe da melhor maneira possível. Por favor, leia atentamente estas instruções antes da instalação e mantenha este manual para referência no futuro. Se tiver outras dúvidas, entre em contacto com o nosso revendedor ou comerciante local de quem adquiriu o produto. Eles são formados e estão prontos para lhe serem úteis da melhor maneira possível. A garantia é válida por um período de 2 anos a partir da data de compra. A garantia não se aplica a danos causados devido a uma instalação incorrecta ou desgaste involuntário. A empresa não dá nenhuma garantia por danos de qualquer superfície devido à inadequada remoção e instalação do produto. Os produtos são apropriados para exploração durante 10-12 horas por dia. A exploração do produto durante 24 horas leva à invalidação da garantia. Este produto tem uma garantia apenas para defeitos de fabricação.

PEÇAS E COMPONENTES [FIG 1]

1. Suporte de montagem
2. Barra de suporte e esfera de suspensão
3. Painel
4. Carcaça do motor do ventilador
5. Iluminação
6. Abajur de vidro
7. Aspas
8. Conjunto de parafusos, peças de montagem do suporte (fios, porcas, arruelas de borracha) e fixações

1. ANTES DE USAR

Desembale cuidadosamente o ventilador de teto, remova todas as peças e componentes e coloque-os num pano ou outra superfície macia para evitar danificar. Não coloque a carcaça do motor num lado para evitar danificá-lo. Antes de iniciar a instalação, verifique se todas as peças estão disponíveis.

2. MONTAGEM DO PRODUTO

ATENÇÃO! Todas as operações de instalação elétrica devem ser executadas após desligar a alimentação, ao retirar os fusíveis ou desconectá-lo do interruptor automático para evitar o risco de choque elétrico.

ETAPAS DE MONTAGEM:

2.1. INSTALAÇÃO DO SUPORTE DE MONTAGEM

- O suporte da suspensão deve ser parafusado numa superfície sólida e plana. A estrutura na qual está instalada deve suportar um peso estático dez vezes o peso do ventilador. Ao instalar o ventilador de teto num a viga de madeira, os dois parafusos autorroscantes incluídos na entrega devem ser suficientes para fornecer suporte ao ventilador de teto. As arruelas incluídas são montadas na seguinte ordem: cabeça do parafuso> arruela circular> arruela elástica> suporte de montagem> teto [FIG 3].
- Aparafuse o suporte de montagem no teto e verifique se todas as conexões estão bem apertadas para evitar que o ventilador caia. Solte os dois parafusos do painel no suporte de montagem [FIG 3].

NOTA: Os parafusos autorroscantes são adequados apenas para tetos de madeira. Ao instalar o ventilador de teto em tetos ou vigas de concreto, faça furos com uma broca e use parafusos de retenção ou expansão (não incluídos na entrega).

Ferramentas e materiais necessários (não incluídos) [FIG 2]

9. Controlo remoto
10. Chave de fenda
11. Chave de fenda plana
12. Alicate ou chave
13. Escada móvel
14. Alicates de cortar de fios/conductor
15. Fita isolante (banda isolada)

2.2. INSTALAÇÃO DA BARRA DE SUPORTE E A ESFERA DE SUSPENSÃO

- Solte o parafuso da esfera de suporte da barra de suporte e solte a esfera de suspensão. Remova o perno de retenção do interior da barra de suporte e remova a esfera de suspensão da barra [FIG 4].
- Remova o contrapino e o pino de retenção da barra de suporte. Se preferir usar uma barra de suporte mais longa, instale a esfera de suspensão nela e mova o condutor de aterramento para ela. Passe as tomadas de alimentação da parte superior do motor por toda a barra até que saiam do outro lado [FIG 4].
- Coloque a barra de suporte na abertura da carcaça do motor e gire-a para alinhar as aberturas de ambos os lados com as aberturas da barra de suporte [FIG 5].
- Passe o suporte em forma de U através das aberturas para que ele passe pela barra do suporte, ao tomar cuidado para não danificar os fios. Passe o contrapino do pino de retenção e fixe-o bem [FIG 5].
- Aperte todos os parafusos no torque especificado. Isso minimiza o risco de queda da barra e do ventilador [FIG 5].
- Se os parafusos não estiverem bem apertados, poderão ocorrer vibrações no motor. Isso pode ser perigoso [FIG 6].
- Após concluir as etapas indicadas acima, instale a esfera de suspensão na barra de suporte, coloque o perno de retenção na barra de suporte e levante a esfera. Em seguida, aperte todos os parafusos com firmeza para garantir que todos os elementos estejam bem presos [FIG 6].

2.3. INSTALAÇÃO DO VENTILADOR NO SUPORTE DE MONTAGEM E MONTAGEM DAS ASPAS

- Levante o ventilador ao suporte de montagem, coloque a esfera de suspensão no suporte de montagem através da abertura e coloque-o com cuidado [FIG 7].
- Gire a esfera e alinhe a orelha do suporte de montagem com a fenda da esfera de suspensão [FIG 7].
- Uma vez alinhado, o ventilador assume automaticamente a sua posição correta. Impede que a barra e o ventilador girem durante a operação [FIG 7].

2.4. CONTROLO REMOTO E INSTRUÇÕES DE FIAÇÃO

- Insira o receptor através do suporte de suspensão e conecte os fios ao cumprir com os códigos de cores [FIG 8].
- Conecte os conectores de botão da ventoinha ao controlo remoto, como mostrado abaixo:

DIAGRAMA DA FIAÇÃO [FIG 9]

2.5. MONTAGEM DAS ASPAS

- Remova os três parafusos e as luzes LED da iluminação [FIG 10].
 - Insira as aspas pelas fendas laterais da carcaça do motor e alinhe-as com 3 orifícios [FIG 11].
 - Fixe as aspas com 3 parafusos e aperte firmemente os três parafusos das aspas [FIG 11].
-

- Não aperte demasiado os parafusos, pois isso pode danificar as aspas. Repita este procedimento para todas as aspas [FIG 11].

NOTA: Se instalar mais de um ventilador, tome cuidado para não substituir as aspas e os parafusos, pois cada modelo é equipado com materiais e peças específicos.

2.6. INSTALAÇÃO DA LUZ LED E O ABAJUR DE VIDRO

- Conecte os condutores da luz LED aos do motor do ventilador. Alinhe as aberturas dos parafusos do suporte da lâmpada com os do motor e prenda as peças usando os parafusos fornecidos [FIG 2].
 - Aperte as luzes LED com os parafusos que retirou da luz [FIG 13].
 - Instale cuidadosamente o abajur de vidro no corpo principal e gire no sentido dos ponteiros do relógio para travá-lo.
- ATENÇÃO: Não aperte demasiado os parafusos ao instalar o abajur de vidro [FIG 14].

3. FUNCIONAMENTO

O interruptor do sentido na carcaça do ventilador regula o fluxo de ar:

- Modo de inverno: deslize o interruptor para cima para que as aspas possam circular o ar quente ao redor do teto.
- Modo de verão: deslize o interruptor para baixo para que as aspas possam gerar uma brisa e melhorar a circulação de ar.

ATENÇÃO: Antes de usar o interruptor de direção, desligue o ventilador e espere que ele pare de girar para evitar possíveis ferimentos e danos ao motor. Altere o sentido ao mover o interruptor para cima ou para baixo com o ventilador desligado.

Controlo remoto

Use o controlo remoto para ligar e desligar o ventilador e alterar as velocidades [FIG 15].

- LIGAR / DESLIGAR a luz
- Velocidade do ventilador
- H - velocidade máxima
- M - velocidade média
- L - velocidade mais baixa
- Parar o ventilador

- Temporizador:
- 1H - desligamento automático do ventilador após 1 hora
- 2H - desligamento automático do ventilador após 2 horas
- 4H - desligamento automático do ventilador após 4 horas
- 8H - desligamento automático do ventilador após 8 horas

SUBSTITUIR AS BATERIAS

1. Para substituir as baterias do controlo remoto, pressione a tampa do compartimento e deslize-a no sentido da seta.
2. O controlo remoto requer 1 bateria A23 de 12V.
3. Coloque novamente a tampa do compartimento da bateria.

ATENÇÃO

- Verifique sempre se a tampa do compartimento de baterias está bem fechada.
- Nunca deixe o controlo remoto sob luz solar direta.
- Não tente recarregar as baterias descarregadas, aquecendo-as ou usando um carregador de baterias. As baterias recarregáveis estão sempre marcadas como tal.
- Não descarte as baterias no fogo, pois isso pode causar uma explosão.

4. LIMPEZA E MANUTENÇÃO

1. Sempre desconecte o ventilador e espere que ele pare antes de limpar.
2. Limpe a parte externa com um pano macio e húmido.

ATENÇÃO

- Antes de iniciar a reparação, verifique se a energia está desligada do fusível principal ou do interruptor automático.
- Não mergulhe o ventilador em água.
- Nunca use esponjas de metal, produtos de limpeza abrasivos ou produtos químicos.
- Limpe o ventilador periodicamente. Use apenas um pano ou escova. As superfícies metálicas são cobertas com verniz para evitar o escurecimento/a perda de brilho.
- Não molhe a parte interna do produto (especialmente a placa de circuito), pois isso pode ser muito perigoso e causar danos ao ventilador.
- Quando não estiver usando o produto, desconecte-o da fonte de alimentação. Para armazenamento, coloque-o na sua caixa original e guarde-o num local seco e ventilado até o uso posterior.
- Em caso de mau funcionamento ou se você tiver alguma dúvida, não tente reparar o ventilador por si mesmo para evitar o risco de incêndio ou choque elétrico.

5. SOLUÇÃO DE PROBLEMAS

O VENTILADOR NÃO COMEÇA A FUNCIONAR

1. Verifique todos os fusíveis ou interruptores automáticos.
2. Desligue a energia e verifique todas as conexões dos cabos.

A BATERIA FUNCIONA RUIDOSAMENTE

1. Deixe sempre alguns dias para “desenvolver” o novo ventilador em velocidade média ou alta. Tente diagnosticar a localização exata do ruído ao ouvir atentamente de vários lados (aspas, motor, bloco de luz, etc.). O ruído do ventilador pode vir do bloco de luz.
2. Certifique-se de que todos os parafusos no bloco do ventilador e no bloco de luz estejam devidamente aparafusados e apertados. Caso contrário, desligue a energia e aperte os parafusos. Aperte os parafusos pelo menos uma vez por ano, pois eles podem ficar soltas lentamente ao longo do tempo e produzir um ruído estridente.
3. Verifique que o bloco de luz esteja firmemente fixado ao ventilador e que todos os parafusos da lâmpada de vidro sejam apertados apenas manualmente. Não os aperte com alicates ou chave de fenda.
4. Verifique que o suporte de montagem está firmemente instalado ao lado da caixa de terminais.
5. Verifique que as porcas dos condutores no compartimento dos interruptores ou no painel não batam um no outro ou na parede do compartimento. Se necessário, envolva-os com fita isolante.
6. Verifique que o painel não toca no teto.
7. Verifique que os parafusos que prendam os suportes das aspas ao motor estão apertados e se os arruela de bloqueio estão a ser usados.

O VENTILADOR NÃO GERA GRANDE FLUXO DE AR

1. O ventilador pode funcionar no sentido contrário e o ar pode ser direcionado para cima.
2. A sala pode conter objetos que obstruem o fluxo de ar.
3. O ventilador pode ser muito pequeno para o tamanho da sala.

VIBRAÇÃO DO VENTILADOR

Nota: Vibrações menores são consideradas aceitáveis e não devem ser consideradas um defeito.

1. Verifique que o suporte de montagem está firmemente preso ao teto e não se move. Se for necessário, aperte os parafusos.
 2. Verifique que todos os parafusos que prendam as aspas ao suporte da aspa e o suporte da aspa ao motor estão apertados. Verifique que os parafusos no bloco de luz e do abajur de vidro estão apertados.
-

INSTRUCCIONES DE SEGURIDAD

- Asegúrese de que el voltaje de la fuente de alimentación esté de acuerdo con la placa de características del aparato.
- Revise el cable de alimentación regularmente para detectar daños visibles. Si el cable está dañado, debe ser reemplazado por un servicio de asistencia técnica autorizado para evitar cualquier tipo de peligro.

¡ADVERTENCIA! No utilice el aparato si su cable, enchufe o carcasa están dañados o funcionan mal o si el producto ha sido dejado caer o ha sido dañado de alguna manera.

- El aparato no está destinado a ser utilizado por niños menores de 8 años. Puede ser utilizado por niños de 8 años de edad o mayores siempre que estén bajo supervisión permanente.
- Este electrodoméstico no está diseñado para ser utilizado por personas (incluidos niños) con discapacidades físicas, sensoriales o mentales o falta de experiencia y conocimiento, a menos que sean supervisadas o instruidas sobre el uso del electrodoméstico por la persona responsable de su seguridad.

Los niños también deben ser supervisados para asegurarse de que no jueguen con el aparato. Se requiere un control estricto cuando el aparato es utilizado por niños o cerca de ellos.

- Mantenga el aparato y su cable de alimentación fuera del alcance de los niños menores de 8 años.
- No intente reparar el aparato usted mismo. Póngase en contacto con un servicio oficial de soporte técnico para obtener asesoramiento.
- La limpieza y el mantenimiento deben realizarse de acuerdo con estas instrucciones de funcionamiento para garantizar que el aparato funcione correctamente. Antes de limpiar, desenchufe el aparato y desconecte el cable.
- No coloque el ventilador cerca de cortinas, cortinados u objetos que puedan ser succionados por el ventilador.
- La distancia mínima entre las aspas del ventilador y el piso debe ser de 2.3 m. La capacidad de carga mínima de la caja de salida en la que está montado el ventilador debe ser de 45 kg.
- No utilice el aparato en espacios reducidos con vapores explosivos o tóxicos.
- Este electrodoméstico puede ser utilizado por niños mayores de 8 años y personas con discapacidades físicas, sensoriales o mentales o falta de experiencia y conocimiento si son supervisados o instruidos sobre el uso seguro del electrodoméstico y entienden los peligros involucrados. Los niños no deben jugar con el aparato. La limpieza y el mantenimiento por parte del usuario no deben ser realizados por niños desatendidos.
- Asegúrese de instalar un seccionador en todos los polos en los cables de alimentación del ventilador de techo con una distancia mínima entre los polos de 3 mm.
- Asegúrese de que la posición de montaje evita el contacto entre las aspas giratorias y cualquier objeto y que hay una distancia mínima de 150 mm (6") desde las puntas de las aspas hasta la pared o el techo. Tenga en cuenta que cuanto mayor es la distancia, mayor es el flujo de aire generado por el ventilador.

- Apague la alimentación antes de empezar a instalar o reparar el ventilador.
- El cableado eléctrico debe cumplir con los reglamentos locales.
- El ventilador debe estar correctamente conectado a tierra para evitar el riesgo de descarga eléctrica. Nunca instale el aparato en un lugar mojado o húmedo.
- Tenga cuidado al trabajar cerca de las aspas giratorias.
- Este electrodoméstico debe instalarse de acuerdo con los reglamentos nacionales para la instalación eléctrica.
- Antes de quitar el fusible, asegúrese de que el ventilador esté desconectado de la red eléctrica.
- Si nota vibraciones no habituales, apague el ventilador de techo de inmediato y póngase en contacto con el fabricante, su representante de servicio o una persona debidamente certificada.
- El reemplazo de partes del sistema de suspensión segura debe ser realizado por el fabricante, su representante de servicio o una persona debidamente calificada.
- El montaje del sistema de suspensión debe ser realizado por el fabricante, su representante de servicio o una persona debidamente calificada.
- Para garantizar la seguridad de sus hijos, mantenga los materiales de embalaje (bolsas de plástico, cajas, poliestireno, etc.) fuera de su alcance.

ADVERTENCIA: Desconecte el interruptor principal durante la instalación o el mantenimiento. Es aconsejable desconectar el enchufe del interruptor automático antes del ventilador (tanto el interruptor de circuito como el interruptor del ventilador deben estar apagados).

- No utilice el aparato al aire libre. El producto debe instalarse en un lugar seco donde no sea expuesto al agua o la humedad.
 - No conecte el motor del ventilador a un atenuador de luz eléctrico. Esto puede causar un mal funcionamiento del motor y daños.
 - No se recomienda que los ventiladores de techo y los aparatos de gas funcionen en la misma habitación al mismo tiempo.
 - Apague el ventilador y espere a que se detenga antes de alterar la dirección de rotación de las aspas. Así se evitará el daño al motor del ventilador y al controlador.
 - No coloque objetos entre las aspas del ventilador mientras gire. Hacerlo puede dañarlos, interrumpir el equilibrio del ventilador y hacer que se caiga.
 - Después de terminar el montaje del ventilador, asegúrese de que todos las fijaciones estén bien aseguradas para evitar que la unidad vibre o se caiga.
-

- Con el tiempo y debido al movimiento natural del ventilador, algunas conexiones pueden aflojarse. Revise las conexiones de soporte, los soportes y las fijaciones de las aspas dos veces al año para asegurarse de que estén bien sujetos. Si se afloja, apriételos.
- El uso de dispositivos requiere el cumplimiento de algunas reglas básicas, como:
 - No toque el aparato con las manos o pies mojados.
 - El aparato nunca debe exponerse a la intemperie (lluvia, sol, etc.).
 - El aparato no debe usarse cerca de líquidos o gases potencialmente explosivos o inflamables.
- Este producto es solo para uso doméstico y no para uso industrial o externo.
- Mantenga las baterías fuera del alcance de niños y animales, ya que pueden causar lesiones si se ingieren. En caso de ingestión, busque atención médica de inmediato.
- Si observa signos visibles de daño, rotura o deterioro, evite el contacto directo entre las baterías y la piel, los ojos o las membranas mucosas. Si las baterías expuestas entran en contacto con los ojos, enjuague inmediatamente con abundante agua. Busque atención médica de inmediato.
- Antes de empezar la instalación, desconecte la fuente de alimentación.
- La fuente de luz de esta iluminación no es intercambiable; Cuando llega al final de su vida útil, se debe reemplazar toda la iluminación.

La instalación solo debe ser realizada por un electricista certificado.

[ES] INTRODUCCIÓN Y GARANTÍA

Le agradecemos que ha elegido y adquirido la V-TAC. V-TAC le servirá del mejor modo posible. Pedimos que antes de comenzar la instalación lea atentamente las presentes instrucciones y las guarde en un lugar adecuado para consultas próximas. En caso de dudas o preguntas, póngase, por favor, en contacto con el representante o suministrador más cercano de quien ha comprado el producto. Él será debidamente instruido y dispuesto para atenderle de la mejor manera posible. La garantía tendrá una duración de 2 años, contados a partir de la fecha de la compra. La garantía no será aplicable a daños ocasionados por instalación incorrecta o gasto inhabitual. La empresa no otorgará garantía para daños de superficies de cualquier tipo generados por su eliminación e instalación incorrectas. Los productos tendrán explotación adecuada durante unas 10-12 horas diarias. La explotación de 24 horas diarias llevará a la anulación de la garantía. La garantía cubrirá solo defectos de producción de fábrica.

PIEZAS Y COMPONENTES [FIG 1]

1. Soporte de instalación
2. Barra de instalación y esfera de suspensión
3. Panel
4. Carcasa del motor del ventilador
5. Iluminación
6. Pantalla de vidrio
7. Aspas
8. Conjunto de tornillos, piezas de montaje del soporte (cables, tuercas, arandelas) y fijaciones

1. ANTES DE USAR

Desembale cuidadosamente el ventilador de techo, retire todas las piezas y componentes y colóquelos sobre un paño u otra superficie suave para evitar dañar. No coloque la carcasa del motor en un lado para evitar dañarlo. Antes de empezar la instalación, verifique que todas las piezas estén disponibles.

2. Montar el producto

¡Advertencia! Todas las operaciones de instalación eléctrica deben realizarse después de que se haya desconectado la alimentación quitando los fusibles o desconectándolo del interruptor eléctrico para evitar el riesgo de descarga eléctrica.

PASOS DE MONTAJE:

2.1. INSTALACIÓN DE LA CONSOLA DE INSTALACIÓN

- El soporte de suspensión se debe atornillar a una superficie sólida y plana. La estructura en la que está montado debe soportar un peso estático diez veces mayor que el del ventilador. Al instalar el ventilador de techo en una viga de madera, los dos tornillos autorroscantes incluidos en la entrega deben ser suficientes para proporcionar soporte al ventilador de techo. Las arandelas incluidas se montan en el siguiente orden: cabeza de tornillo> arandela circular> arandela de resorte> soporte de montaje> techo [FIG 3].
- Atornille el soporte de montaje al techo y asegúrese de que todas las conexiones estén bien apretadas para evitar que el ventilador se caiga. Afloje los dos tornillos del panel en el soporte de montaje [FIG 3].

NOTA: Los tornillos autorroscantes solo son adecuados para techos de madera. Al instalar el ventilador de techo en techos o vigas de concreto, taladre agujeros con una broca y use tornillos de retención o de expansión (no incluidos).

Herramientas y materiales necesarios (no incluidos) [FIG 2]

9. Control remoto
10. Destornillador
11. Destornillador plano
12. Alicates ajustables o llave
13. Escalera móvil
14. Alicates de corte de alambre/ conductor
15. Cinta aislante

2.2. INSTALACIÓN DE LA BARRA DE INSTALACIÓN Y ESFERA DE SUSPENSIÓN

- Desenrosque el tornillo en la esfera de suspensión de la barra de soporte, luego afloje la esfera de suspensión. Retire el corchete de bloqueo del interior de la barra de soporte y retire la esfera de suspensión de la barra [FIG 4].
- Retire el pasador de horquilla y el pasador de retención de la barra de instalación. Si prefiere usar una barra de instalación más larga, instale la esfera de suspensión y mueva en ella el conductor de conexión a tierra. Pase las tomas de corriente desde la parte superior del motor por toda la barra hasta que salgan por el otro lado [FIG 4].
- Coloque la barra de instalación en la abertura de la carcasa del motor y gírela para alinear las aberturas en ambos lados con las aberturas en la barra de instalación [FIG 5].
- Deslice el pasador de retención a través de las aberturas para que pase a través de la barra de instalación, teniendo cuidado de no dañar los cables. Pase el pasador de retención a través del pasador de horquilla y asegúrela bien [FIG 5].
- Apriete todos los tornillos al par especificado. Esto minimizará el riesgo de que la barra y el ventilador se caigan [FIG 5].
- Si los tornillos no están bien apretados, pueden producirse vibraciones en el motor. Esto puede ser peligroso [FIG 6].
- Después de completar los pasos anteriores, instale la esfera de suspensión en la barra de instalación, coloque el corchete de bloqueo en la barra de instalación y levante la esfera. Luego, apriete todos los tornillos bien para asegurarse de que todos los elementos estén sujetos de forma segura [FIG 6].

2.3. MONTAJE DEL VENTILADOR DEL SOPORTE DE INSTALACIÓN Y COLOCACIÓN DE LAS ASPAS

- Eleve el ventilador al soporte de instalación, coloque la esfera de suspensión en el soporte de instalación a través de la abertura y colóquela con cuidado [FIG 7].
- Gire la esfera y alinee la oreja del soporte de instalación con la ranura de la esfera de suspensión [FIG 7].
- Una vez alineado, el ventilador asume automáticamente su posición correcta. Evita que la barra y el ventilador giren durante la operación [FIG 7].

2.4. CONTROL REMOTO E INSTRUCCIONES DE CABLEADO

- Coloque el receptor a través del soporte de suspensión y conecte los cables siguiendo los códigos de color [FIG 8].
- Conecte los conectores de botón del ventilador al control remoto como se muestra a continuación:

DIAGRAMA DE CABLEADO [FIG 9]

2.5. MONTAR LAS ASPAS

- Retire los tres tornillos y las luces LED de la luz [FIG 10].

- Coloque las aspas a través de las ranuras laterales de la carcasa del motor y alinéelas con 3 agujeros [FIG 11].
- Asegure las aspas con 3 tornillos y apriete firmemente las tres aspas [FIG 11].
- No apriete los tornillos ya que esto puede dañar las aspas. Repita este procedimiento para todas las aspas [FIG 11].

NOTA: Si instala más de un ventilador, tenga cuidado de no reemplazar las aspas y los tornillos, ya que cada modelo está equipado con materiales y piezas específicos.

2.6. INSTALACIÓN DE LUZ LED Y LA PANTALLA DE VIDRIO

- Conecte los cables de la luz LED a los del motor del ventilador. Alinee los orificios del portalámparas para tornillos con los del motor y asegure las piezas con los tornillos suministrados [FIG 12].
- Apriete las luces LED con los tornillos que ha retirado de la luz [FIG 13].
- Instale con cuidado la pantalla de vidrio en la carcasa principal y gírela en el sentido de las agujas del reloj para bloquearla [FIG 14].

¡ADVERTENCIA! No apriete demasiado los tornillos al instalar la pantalla de vidrio.

3. FUNCIONAMIENTO

El interruptor de la dirección de la carcasa del ventilador regula el flujo de aire:

- Modo de invierno: deslice el interruptor hacia arriba para que las aspas puedan circular aire caliente alrededor del techo.
- Modo de verano: deslice el interruptor hacia abajo para que las aspas puedan generar brisa y mejorar la circulación del aire.

¡ADVERTENCIA! Antes de usar el interruptor de dirección, apague el ventilador y espere a que deje de girar para evitar posibles lesiones y daños al motor. Cambie de dirección moviendo el interruptor hacia arriba o hacia abajo con el ventilador apagado.

CONTROL REMOTO

Use el control remoto para encender y apagar el ventilador y cambiar las velocidades [FIG 15].

- ENCENDER/APAGAR la luz
- Velocidad del ventilador
- H - velocidad máxima
- M - velocidad promedio
- L - velocidad más baja
- Parar el ventilador
- Temporizador
- 1 h - apagado automático del ventilador después de 1 hora
- 2 h - apagado automático del ventilador después de 2 hora
- 4 h - apagado automático del ventilador después de 4 horas
- 1 h - apagado automático del ventilador después de 8 horas

¡ADVERTENCIA!

- Compruebe siempre que la tapa del compartimento de la batería esté bien cerrada.
- Nunca deje el control remoto a la luz directa del sol.
- No intente recargar las baterías descargadas calentándolas o usando un cargador de baterías. Las baterías recargables siempre están marcadas como tales.
- No tire las baterías al fuego, ya que esto puede causar una explosión.

4. LIMPIEZA Y MANTENIMIENTO

1. Siempre desconecte el ventilador y espere a que se detenga antes de limpiarlo.
2. Limpie el exterior con un paño suave y húmedo.

¡ADVERTENCIA!

- Antes de empezar la reparación, asegúrese de que el fusible de red o el interruptor automático estén apagados.
- No sumerja el ventilador en agua.
- Nunca use esponjas metálicas, limpiadores abrasivos o productos químicos.
- Limpie el ventilador periódicamente. Use solo un paño o cepillo. Las superficies metálicas están cubiertas con barniz para evitar el oscurecimiento / pérdida de brillo.
- No moje el interior del producto (especialmente la placa de circuito impreso) ya que esto puede ser muy peligroso y causar daños al ventilador.
- Cuando no use el producto, desenchúfelo de la fuente de alimentación. Para el almacenamiento, colóquelo en su caja original y guárdelo en un lugar seco y ventilado hasta su uso posterior.
- En caso de mal funcionamiento o si tiene alguna duda, no intente reparar el ventilador usted mismo para evitar el riesgo de incendio o descarga eléctrica.

5. SOLUCIÓN DE PROBLEMAS Y RESOLUCIÓN DE PROBLEMAS

El ventilador no se pone a funcionar

1. Verifique todos los fusibles o interruptores automáticos.
2. Apague la alimentación y verifique todas las conexiones de cable.

EL VENTILADOR FUNCIONA RUIDOSAMENTE

1. Siempre deje unos días para "desarrollar" el nuevo ventilador a velocidades promedias o altas. Intente diagnosticar la ubicación exacta del ruido escuchando atentamente de varios lados (aspas, motor, bloque de iluminación, etc.). El ruido del ventilador puede provenir de la unidad de luz.
2. Asegúrese de que todos los tornillos del conjunto del ventilador y el bloque de la luz estén atornillados y apretados correctamente. De lo contrario, apague la alimentación y apriete los tornillos. Apriete los tornillos al menos una vez al año, ya que pueden aflojarse lentamente con el tiempo y producir un ruido sordo.
3. Asegúrese de que la unidad de la luz esté fijada de forma segura al ventilador y que todos los tornillos de la pantalla de vidrio estén apretados solamente a mano. No los apriete con alicates o un destornillador.
4. Asegúrese de que el soporte de montaje esté firmemente sujeto a la caja de conexiones.
5. Asegúrese de que las tuercas del cable en la caja o panel del interruptor no se golpeen entre sí o con la pared de la carcasa. Si es necesario, envuélvalos con cinta aislante.
6. Asegúrese de que el panel no toque el techo.
7. Asegúrese de que los tornillos que sujetan los soportes de las aspas al motor estén apretados y que se usen las arandelas de bloqueo.

EL VENTILADOR NO GENERA GRAN FLUJO DE AIRE

1. El ventilador puede funcionar en la dirección opuesta y el aire puede estar dirigido hacia arriba.
2. La habitación puede contener objetos que obstruyan el flujo de aire.
3. El ventilador puede ser demasiado pequeño para el tamaño de la habitación.

VIBRACIÓN DEL VENTILADOR

NOTA: La vibración menor se considera aceptable y no debe considerarse un defecto.

1. Asegúrese de que el soporte de instalación esté bien sujeto al techo y que no se mueva en absoluto. Si es necesario, apriete los tornillos.
 2. Asegúrese de que todos los tornillos que sujetan las aspas al soporte de las aspas y el soporte de las aspas al motor estén apretados. Asegúrese de que los tornillos del bloque de la iluminación y la pantalla de vidrio estén apretados.
-

BIZTONSÁGI UTASÍTÁSOK

- Ellenőrizze, hogy a hálózati feszültség megegyezik-e a készülék adattábláján feltüntetett feszültséggel.
- Rendszeresen ellenőrizze a tápkábelt, hogy nincs-e látható sérülés. Ha a kábel sérült, akkor bármilyen veszély elkerülése érdekében a hivatalos műszaki támogatási szolgálatnak ki kell cserélnie.

FIGYELEM: Ne használja a készüléket, ha a vezetéke, a csatlakozója vagy a ház sérült, vagy miután hibásan működött, vagy bármilyen módon leesett vagy megsérült.

- A készüléket nem szánják 8 év alatti gyermekek számára. 8 éven felüli gyermekek használhatják, amennyiben folyamatos felügyelet alatt állnak.
- Ezt a készüléket nem szabad csökkent fizikai, érzékszervi vagy mentális képességekkel rendelkező vagy tapasztalatlan, vagy ismeretlen személyek számára használni, kivéve, ha a felelős személy felügyeletet vagy utasításokat kapott a készülék biztonságos használatához, biztonságuk érdekében, és megértsék a kapcsolódó veszélyeket.
- Ellenőrizze a kisgyermeket, győződjön meg arról, hogy nem játszanak a készülékkel. Gondos felügyeletre van szükség, ha a készüléket gyermekek használják, vagy annak közelében vannak.
- Tartsa a készüléket és vezetékét 8 év alatti gyermekek számára elzárva.
- Ne próbálja meg saját maga javítani a készüléket. Kérjen tanácsot a hivatalos műszaki támogatási szolgálattól.
- A tisztítást és a karbantartást a használati útmutató szerint kell elvégezni, hogy megbizonyosodjon arról, hogy a készülék megfelelő módon működik-e. Tisztítás előtt kapcsolja ki és húzza ki a konnektorból.
- Ügyeljen arra, hogy a ventilátort ne tegye függönyök, függöny vagy más tárgyak közelébe, amelyeket a ventilátor be tud szívni.
- A ventilátorlapátok és a padló közötti minimális távolságnak 2,3 m-nek kell lennie. A kimeneti doboz minimális teherbírási képessége, amelyből a ventilátort felfüggesztették, 45 kg lehet.
- Ne használja a készüléket zárt helyen, robbanásveszélyes vagy mérgező gőzökkel.
- Ezt a készüléket 8 éves vagy annál idősebb gyermekek használhatják, valamint csökkent fizikai, érzékszervi vagy mentális képességekkel rendelkező, illetve tapasztalat és ismeretekkel nem rendelkező személyek, ha felügyelet alatt vannak vagy utasításokat kapnak a készülék biztonságos használatához, és megértik a készüléket. az érintett veszélyeket. A gyermekek nem játszhatnak a készülékkel. Gyermekek nem végezhetnek tisztítást és karbantartást felügyelet nélkül.
- Ügyeljen arra, hogy az több pólusú leválasztó kapcsolót legalább 3 mm távolságra helyezze el a mennyezeti ventilátor tápvezetékében.

- Ügyeljen arra, hogy a telepítési hely ne engedje, hogy a forgó ventilátorlapátok érintkezésbe kerüljenek bármilyen tárgyakkal, és hogy a penge hegyétől a falig vagy a mennyezetig legalább 150 mm (6") távolság legyen. Felhívjuk figyelmét, hogy minél nagyobb ez a távolság, annál több légáramot generál a ventilátor.
 - A ventilátor felszerelése vagy javítása előtt kapcsolja ki az áramellátást.
 - Az elektromos kábelezésnek meg kell felelnie a helyi előírásoknak.
 - A ventilátort megfelelően földelni kell az áramütés veszélyének elkerülése érdekében. Soha ne szerelje a ventilátort vizes vagy nedves helyiségbe. Vigyázzon, ha a forgó pengék közelében dolgozik.
 - Ezt a készüléket a nemzeti villamos szerelési előírásoknak megfelelően kell felszerelni.
 - A védőburkolat eltávolítása előtt ellenőrizze, hogy a ventilátor ki van-e kapcsolva a hálózatról.
 - Ha szokatlan rezgő mozgást észlel, azonnal hagyja abba a mennyezeti ventilátort, és vegye fel a kapcsolatot a gyártóval, a szervizzel vagy a megfelelő képzettséggel rendelkező személyekkel.
 - A biztonsági futómű-rendszer alkatrészeinek cseréjét a gyártó, a szervizképviselő vagy a megfelelő képesítéssel rendelkező személyek végezhetik el.
 - A felfüggesztés rendszerének felszerelését a gyártó, a szervizképviselő vagy a megfelelő képesítéssel rendelkező személy végezheti.
 - A gyermekek biztonsága érdekében minden csomagolást (műanyag zacskók, dobozok, polisztirol, stb.) tartson távol tőlük.
- FONTOS:** Telepítés vagy karbantartás közben kapcsolja ki a főkapcsolót. Javasoljuk, hogy a ventilátor előtt kapcsolja ki az automatikus kapcsolót (a hálózati és a ventilátor kapcsolót ki kell kapcsolni).
- Ne használja a készüléket szabadban. A terméket száraz helyre kell telepíteni, ahol nincs kitéve víznek vagy nedvességnek.
 - Ne csatlakoztassa a ventilátor motort egy tompító kapcsolóhoz. Ez hibás működést vagy a motor károsodását okozhatja.
 - Nem ajánlott, hogy a mennyezeti ventilátorok és a gázkészülékek ugyanabban a helyiségben egyszerre működjenek.
 - Mielőtt megváltoztatná a pengék forgásirányát, teljesen állítsa le a ventilátort. A ventilátort teljesen ki kell kapcsolni és le kell állítani, mielőtt megfordítja a ventilátor irányát. Ez megakadályozza a ventilátor motorját és a vezérlőt a sérülésein.
 - Ne helyezzen semmilyen tárgyat a ventilátorlapátokba, amíg azok forognak. Ez megrongálja a pengéket és megzavarja a ventilátor egyensúlyát, ami az egység ingadozását okozza.
 - A ventilátor teljes felszerelése után minden probléma elkerülése érdekében ellenőrizze, hogy az összes alap- és ventilátorlap-rögzítés rögzítve van-e.

- Néhány csatlakozás meglazulhat a ventilátor természetes mozgása miatt. Ellenőrizze a tartócsatlakozásokat, a tartóelemeket, és évente kétszer rögzítse a pengéket, és ellenőrizze, hogy szilárdak-e. Ha laza, húzza meg.
- Az elektromos készülékek használatához néhány alapvető szabályt kell figyelembe venni, például:
 - Ne érintse meg a készüléket nedves kezekkel vagy lábakkal
 - Soha ne tegye ki a készüléket légköri hatásoknak (eső, nap, stb.).
 - Ne használja a készüléket robbanásveszélyes vagy gyúlékony folyadékok vagy gázok közelében.
- Ezt a terméket CSAK háztartási használatra szánják, nem pedig kereskedelmi vagy kültéri használatra.
- Az elemeket tartsa távol gyermekektől és állatoktól, mivel lenyelés esetén károkat okozhatnak. Lenyelés esetén azonnal forduljon orvosához.
- Ha bármilyen látható sérülés, lyuk vagy romlás jele észlelhető, kerülje az elemek és a bőr, a szem vagy a nyálkahártya közvetlen érintkezését. Ha az elemek szivárognak, és szembe kerülnek, azonnal mossuk le bőséges vízzel. Orvosi segítséget azonnal keressen.
- A telepítés megkezdése előtt feltétlenül kapcsolja ki az áramellátást.
- Ennek a lámpatestnek a fényforrása nem cserélhető ki, amikor a fényforrás eléri az élettartamát, az egész lámpatestet ki kell cserélni.
- A beszerelést csak engedéllyel rendelkező villanszerelő végezheti.

[HU] BEVEZETÉS ÉS GARANCIA

Köszönjük, hogy választotta és megvásárolta a V-TAC terméket. V-TAC nyújtja Önnek a legjobb szolgáltatást. Kérjük, a szerelés előtt figyelmesen olvassa el ezeket az utasításokat és óvja ezt a kézikönyvet későbbi használatra. Ha további kérdései vannak, kérjük, forduljon forgalmazójához vagy helyi eladójához, akitől megvásárolta a terméket. Ők képzetek és készek a legjobb szolgálatra. A jótállás a vásárlás napjától számítva 2 évig érvényes. A garancia nem vonatkozik a helytelen szerelés vagy az abnormális kopás okozta károkra. A cég nem vállal semmilyen garanciát a felület károsodásáért, a termék helytelen eltávolításáért és szereléséért. A termékek 10-12 órás napi üzemeltetésre alkalmasak. A termék napi 24 órás felhasználása érvényteleníti a garanciát. Ez a termék garanciája csak a gyártási hibákra vonatkozik.

ALKATRÉSZEK ÉS KOMPONENSEK [1. ábra]

1. Tartó szerkezet
2. Tartó rúd és függő labda
3. Panel

4. Ventilátor motorház
5. Lámpatest
6. Üveg búra
7. Ventilátor lapát
8. Csavarkészlet, szerelőkonzol-hardver (huzal, anyák, gumi alátétek) és rögzítő elemek

Szükséges szerszámok és anyagok (nem tartozék) [2. ábra]

9. Távirányító
10. Csavarhúzó
11. Lapos késű csavarhúzó
12. Állítható fogó vagy csavarkulcs
13. Fokos létra
14. Drótvágó
15. Elektromos szalag

1. HASZNÁLAT ELŐTT

Óvatosan csomagolja ki a mennyezeti ventilátort, majd távolítsa el az összes alkatrészt és komponenszt, és a sérülések elkerülése érdekében fektessen egy ruhára vagy puha felületre. Ne fektesse a motorházat oldalára, mert a ház megsérülhet. A telepítés megkezdése előtt ellenőrizze, hogy minden alkatrész megtalálható-e benne.

2. TERMÉK ÖSSZESZERELÉS

FIGYELEM: Az elektromos áramütés veszélyének elkerülése érdekében minden elektromos feladatot csak a biztosítékok eltávolításával vagy a megszakító kikapcsolásával történő villamosenergia-leválasztás után szabad elvégezni.

ÖSSZESZERELÉSI LÉPÉSEK:

2.1. A SZERELŐKONZOL FELSZERELÉSE

- A tartókeretet rögzíteni kell egy szilárd, sima felületre. Az a szerkezet, amelyre szerelik, képesnek kell lennie ellenállni a ventilátor statikus súlya tízszeresének. A mennyezeti ventilátor fából készült gerenda felszerelése esetén a mellékelt 2 öncsavarnak elegendőnek kell lennie a mennyezeti ventilátor tartásához. A biztosított alátéteket a következő sorrendben kell elhelyezni: csavarfej > kerek alátét > rugós alátét > szerelőkeret > mennyezet [3. ábra].
- Csavarozza a rögzítő keretet a mennyezetre, és ellenőrizze, hogy az összes csatlakozás biztonságos-e, hogy a ventilátor ne essen le. Lazítsa meg a két baldachinos csavart a szerelőkeretből [3. ábra].

MEGJEGYZÉS: Az öncsavarok csak fa mennyezethez alkalmazhatók. Ha a mennyezeti ventilátort beton mennyezetre vagy gerendára szereli, fúróval fúrja ki a lyukakat és dugókat, vagy expanziós csavarokat használjon (nem tartozék).

2.2. AZ ALSÓ RÚD ÉS AKASZTÓGOLYÓ FELSZERELÉSE

- Csavarja le a csavart az alsó rúd akasztó golyóján, majd lazítsa meg az akasztógömböt. Távolítsa el a rögzítő csapot a lefelé mutató rúd belsejéből, és vegye le akasztógömböt a rúdról [4. ábra].
- Távolítsa el a rögzítő csapot és a hajtúcsipet az alsó rúdról. Ha inkább a hosszabb aljzatot használja, akkor helyezze rá az akasztó gömböt, és ügyeljen arra, hogy a földelő vezetéket egyikről a másikra mozgassa. Vezesse át az elektromos tápvezetékeket a motor tetejéből egészen a lefelé vezető rudakon keresztül, amíg ki nem lépnek a másik végükön [4. ábra].
- Helyezze be az alsó rudat a motorház nyílásába és forgassa el annak érdekében, hogy mindkét oldalán lévő lyukakat a lefelé mutató rúdhoz igazítsák [5. ábra].
- Vezesse át a rögzítő csapot a lyukakon úgy, hogy az áthaladjon a lefelé mutató rudakon is, vigyázzon, hogy ne sértse meg a vezetékeket. Vezesse át a hajtúcsipet a rögzítő csapon, hogy biztonságosan rögzüljön [5. ábra].
- Húzza meg az összes beállított csavart. Ez biztosítja a rúd és ventilátor leesését [5. ábra].
- Ha a csavarokat nincs megfelelően meghúzva, akkor a motor rezeghet. Ez veszélyes lehet [6. ábra].
- Amint a fenti lépések befejeződtek, helyezze be akasztógömböt a lefelé mutató rúdra, helyezze be az ütközőtűt az alsó rúdba, és emelje fel az akasztógömböt. Ezután, szorosan húzza meg az összes csavart, hogy minden elem teljesen és biztonságosan rögzüljön [6. ábra].

2.3. A VENTILÁTOR AKASZTÁSA, A TARTÓKONZOLRA ÉS A PENGÉK RÖGZÍTÉSE

- Emelje fel a ventilátort a tartókonzolra, helyezze be akasztógömböt a szerelőkeretbe a nyíláson keresztül, és óvatosan hagyja pihenni [7. ábra].
- Forgassa el a labdát, és ellenőrizze, hogy a szerelőkonzolban található fül egybe van-e állítva a függő golyó nyílásával [7. ábra].
- Ha igazításra kerül, a ventilátor automatikusan a megfelelő helyzetben fog ülni. Ez megakadályozza a rúd és a ventilátor forgását, amikor az egység működik [7. ábra].

2.4. TÁVIRÁNYÍTÓ ÉS KÁBELEZÉSI ÚTMUTATÓ

- Helyezze a vevőt a függőkonzolon keresztül, és csatlakoztassa a vezetékeket a színkódok szerint [8. ábra].
- Csatlakoztassa a ventilátor nyomócsatlakozóit a távirányítóhoz az alábbiak szerint:

KAPCSOLÁSI RAJZ [9. ábra]

2.5. A PENGÉK ÖSSZESZERELÉSE

- Távolítsa el a 3 csavart és a LED-et a lámpából [10. ábra].
- Helyezze a pengéket a motorház oldalsó nyílásaiba, és igazítsa őket a 3 lyukhoz [11. ábra].

- Rögzítse a pengéket 3 penge csavarral és ellenőrizze, hogy a 3 penge csavarjai megfelelően vannak-e meghúzva [11. ábra].
 - Ne húzza túl a csavarokat, mert ez károsíthatja a pengéket. Ismételje meg ezt a folyamatot minden pengére [11. ábra].
- MEGJEGYZÉS: Ha egynél több ventilátort telepít, vigyázzon, ne keverje össze a pengéket és a csavarokat, mivel az egyes modelleket speciális anyagokkal és alkatrészekkel tervezték.

2.6. A LED FÉNY- ÉS ÜVEGÁRNYÉKOLÓ TELEPÍTÉSE

- Csatlakoztassa a LED-es lámpák vezetékét a ventilátor motor vezetékéhez. Igazítsa a lámpatartó csavarlyukait a motoron található furatokhoz, és a mellékelt csavarokkal rögzítse mindkét alkatrészt [12. ábra].
- A lámpatestről levett csavarokkal húzza meg a LED-et [13. ábra].
- Óvatosan helyezze be az üvegárnyékolást a főtestbe, és az óramutató járásával megegyező irányban forgassa el, hogy rögzítse [14. ábra].

FIGYELEM: Az üvegárnyékoló felszerelésekor ne húzza túl.

3. MŰVELET

A ventilátor testén lévő iránykapcsoló szabályozza a légáramot:

- Téli funkció: nyomja meg a FELFELÉ gombot, hogy a lapátok mozogtassák a meleg levegőt a mennyezet közelében.
- Nyári funkció: nyomja meg a LEFELÉ kapcsolót a pengékhez, hogy szellő legyen és javuljon a légáramlás.

FIGYELEM: Az iránykapcsoló használata előtt kapcsolja ki a ventilátort, és ellenőrizze, hogy a ventilátor leállt-e, hogy elkerülje a lehetséges sérüléseket és a motor károsodását. Az irány megváltoztatásához nyomja meg a kapcsolót felfelé vagy lefelé, amikor a ventilátor ki van kapcsolva.

TÁVIRÁNYÍTÓ

A távirányítóval kapcsolja be és ki a ventilátort, és változtassa meg a sebességet [15. ábra].

- VILÁGÍTÁS BE / KI
- A ventilátor sebessége
- H – legnagyobb sebesség
- M – közepes sebesség
- L – legkisebb sebesség

• A VENTILÁTOR LEÁLLÁSA

- Időzítő
- 1H-Ventilátor automatikus kikapcsolása 1 óra után
- 2H-Ventilátor automatikus kikapcsolása 2 óra után
- 4H-Ventilátor automatikus kikapcsolása 4 óra után
- 8H-Ventilátor automatikus kikapcsolása 8 óra után

ELEMEK CSERÉJE

1. A távirányító elemeinek cseréjéhez nyomja meg az elem fedelét és csúsztassa a nyíl irányába.
2. Ehhez a távirányítóhoz 1 x A23 12 V-os elem szükséges.
3. Helyezze vissza az elemtartó fedelét.

FIGYELEM:

- Mindig ellenőrizze, hogy az elemtartó rekesz megfelelően van-e zárva.
- Soha ne hagyja a távirányítót közvetlen napfénynek kitéve.
- Ne próbálja meg újratölteni a lemerült elemeket fűtéssel vagy akkumulátortöltővel. Az újratölthető elemek mindig jelölve vannak, hogy ilyenek.
- Ne dobja az elemeket tűzbe, mert robbanást okozhat.

4. TISZTÍTÁS ÉS KARBANTARTÁS

1. Tisztítás előtt mindig húzza ki a ventilátort a hálózatról és hagyja állni.
2. Tisztítsa meg a külső felületet puha, nedves ruhával.

FIGYELEM:

- A javítás megkezdése előtt ellenőrizze, hogy az áramellátás ki van-e kapcsolva a fő biztosítékon vagy az áramköri panelen.
- Ne merítse a ventilátort vízbe.
- Soha ne használjon súrolópadot, súrolószert vagy vegyi tisztítószereket.
- Rendszeresen tisztítsa meg a ventilátort. Csak ruhát vagy keféet használjon. A fémrétegek lakkozással vannak kiképezve, hogy elkerüljék a szennyeződést.
- Ne engedje, hogy a termékek belsejében lévő alkatrészek nedvesedjenek (különösen az áramkör), mert ez nagyon veszélyes lehet és károsíthatja a ventilátort.
- Amíg a terméket nem használja, ellenőrizze, hogy nincs-e csatlakoztatva az áramforráshoz. Tárolásához helyezze az eredeti dobozába, és tárolja szellőző és száraz helyen, amíg újra nem használja.

- Hiba vagy kétség esetén ne próbálja meg saját maga megjavítani a ventilátort, hogy elkerülje a tűz vagy az áramütés veszélyét.

5. HIBAEHÁRÍTÁS A VENTILÁTOR NEM INDUL E

1. Ellenőrizze az összes biztosítékot vagy megszakítót.
2. Kapcsolja ki az áramellátást és ellenőrizze az összes vezetékcsatlakozást.

A VENTILÁTOR ZAJOSNAK HANGZIK

1. Minden új közepes és nagy sebességű ventilátor esetén mindig hagyjon néhány napos behatolási időt. Próbáljon meg diagnosztizálni a zaj pontos helyét oly módon, hogy figyelmesen hallgassa több oldalról (pengék, motor, világítókészlet, stb.). A ventilátor zaja a világító készletből származhat.
2. Ellenőrizze, hogy a ventilátor szerelvény és a világítókészlet összes csavarja szorosan és megfelelően van-e rögzítve. Ha nem, akkor kapcsolja ki a készüléket, és húzza meg a csavarokat. Évente legalább egyszer húzza meg ezeket a csavarokat, mert idővel lassan meglazulhatnak, és kattanási zajt okozhatnak.
3. Ellenőrizze, hogy a világítókészlet megfelelően van-e rögzítve a ventilátorhoz, és az összes üvegbura csavart csak kézzel van meghúzva. Ne húzza meg fogóval vagy csavarhúzóval.
4. Győződjön meg arról, hogy a szerelőkeret szorosan van felszerelve a csatlakozódobozhoz.
5. Győződjön meg arról, hogy a csatlakozóházban vagy a panelben lévő huzal-anyak nem ütköznek egymáshoz vagy a ház falához. Ha szükséges, tekerje le elektromos szalaggal.
6. Ügyeljen arra, hogy a panel ne érintse a mennyezetet.
7. Ellenőrizze, hogy a pengetartókat a motorhoz rögzítő csavarok szorosak-e, és az erre a célra biztosított rögzítő alátéteket használták-e.

A VENTILÁTOR NEM TERMEL NAGY LEVEGŐ ÁRAMLATOT

1. Lehetséges, hogy a ventilátor fordított irányban működik, tehát a levegő felfelé irányul.
2. A szoba tárgyakat tartalmazhat, amelyek akadályozzák a légáramlást.
3. A ventilátor túl kicsi lehet a szoba méretéhez.

A VENTILÁTOR LÖKTET, REZEG

MEGJEGYZÉS: Kis mennyiségű löktetés, rezgés elfogadhatónak tekinthető, és nem tekinthető hibának.

1. Ügyeljen arra, hogy a szerelőkeret szorosan a mennyezetre van rögzítve, semmilyen mozgás nélkül. Szükség esetén húzza meg a csavarokat.
2. Győződjön meg arról, hogy a csavarok, amelyek a pengéket a pengetartóhoz és a pengetartóhoz a motorhoz rögzítik, szorosak. Ellenőrizze, hogy a világítókészlet és az üvegbura csavarok szorosan vannak-e rögzítve.

ISTRUZIONI DI SICUREZZA

- Accertarsi che la tensione di alimentazione corrisponda a quella indicata sulla targhetta di identificazione dell'apparecchio.
- Controllare regolarmente il cavo di alimentazione per danni visibili. Se il cavo è danneggiato, deve essere sostituito dal servizio di supporto tecnico ufficiale, al fine di evitare qualsiasi tipo di pericolo.

AVVERTIMENTO: Non utilizzare l'apparecchio se il cavo, la spina o l'alloggiamento sono danneggiati, né dopo malfunzionamenti o cadute o qualsiasi tipo di danni causati.

- L'apparecchio non è destinato all'uso da parte di bambini di età inferiore ad 8 anni. Può essere utilizzato da bambini di età superiore ad 8 anni, purché siano supervisionate continuamente.
 - Questo apparecchio non è destinato all'uso da parte di persone con ridotte capacità fisiche, sensoriali o mentali o mancanti di esperienza e conoscenza, a meno che non siano supervisionate o istruite sull'uso dell'apparecchio in modo sicuro da parte di una persona responsabile della loro sicurezza e non comprendono i rischi connessi.
 - Supervisionare i bambini piccoli per assicurarsi che non giochino con l'apparecchio. È necessaria un'attenta supervisione quando l'apparecchio viene utilizzato da o vicino a bambini.
 - Tenere l'apparecchio e il suo cavo fuori dalla portata dei bambini di età inferiore ad 8 anni.
 - Non tentare di riparare l'apparecchio da soli. Contattare il servizio di supporto tecnico ufficiale per un consiglio.
 - La pulizia e la manutenzione devono essere eseguite secondo questo manuale di istruzioni per assicurarsi che l'apparecchio funzioni correttamente. Disattivare e scollegare l'apparecchio prima di pulirlo.
 - Accertarsi che il ventilatore non sia posizionata vicino a drappaggi, tende o altri oggetti che potrebbero essere aspirati nel ventilatore.
 - La distanza minima tra le alette del ventilatore e il pavimento dovrebbe essere di 2,3 m. La capacità di carico minima della scatola di uscita su cui è appeso il ventilatore deve essere di 45 kg.
 - Non utilizzare l'apparecchio in spazi ristretti con vapori esplosivi o tossici.
 - Questo apparecchio può essere utilizzato da bambini di età pari o superiore a 8 anni e da persone con ridotte capacità fisiche, sensoriali o mentali o mancanti di esperienza e conoscenza, a condizione che siano sorvegliati o istruiti sull'uso sicuro dell'apparecchio e comprendono i rischi connessi. I bambini non devono giocare con l'apparecchio. La pulizia e la manutenzione da parte dell'utente non devono essere eseguite da bambini senza supervisione.
 - Assicurarsi di installare un interruttore di disconnessione su tutti i poli con una distanza minima di 3 mm tra i poli nel cablaggio di alimentazione del ventilatore a soffitto.
-

- Accertarsi che il luogo di installazione non consenta alle alette rotanti del ventilatore di entrare in contatto con qualsiasi oggetto e che vi sia una distanza minima di 150 mm (6") dalle punte delle alette e la parete o il soffitto. Si noti che maggiore è questa distanza, maggiore sarà il flusso d'aria generata dal ventilatore.
 - Disattivare l'alimentazione prima di collegare o riparare il ventilatore.
 - I collegamenti elettrici devono essere conformi alle normative locali.
 - Il ventilatore deve essere dotato di una messa a terra corretta per evitare il rischio di scosse elettriche. Non installare mai il ventilatore in una stanza umida o bagnata. Fare attenzione quando si lavora vicino alle alette rotanti.
 - Questo apparecchio deve essere installato in conformità alle normative nazionali in materia di d'installazione elettrica.
 - Accertarsi che il ventilatore sia scollegato dalla rete di alimentazione prima di rimuovere la protezione.
 - Se si osservano movimenti oscillatori insoliti, interrompere immediatamente l'uso del ventilatore a soffitto e contattare il produttore, il suo agente di servizio o persone adeguatamente qualificate.
 - La sostituzione di parti del dispositivo del sistema di sospensione di sicurezza deve essere eseguita dal produttore, dal suo agente di servizio o da persone adeguatamente qualificate.
 - Il montaggio del sistema di sospensione deve essere eseguito dal produttore, dal suo agente di servizio o da una persona adeguatamente qualificata.
 - Per garantire la sicurezza dei bambini, tenere tutti gli imballaggi (sacchetti di plastica, scatole, polistirolo, ecc.) fuori dalla loro portata.
- IMPORTANTE:** Disattivare l'interruttore di alimentazione principale durante l'installazione o la manutenzione. Si consiglia di disinserire la spina dell'interruttore automatico prima del ventilatore (sia l'interruttore di alimentazione principale che quello del ventilatore non devono essere alimentati).
- Non utilizzare all'aperto. Il prodotto deve essere installato in un luogo asciutto, dove non sia esposto ad acqua o all'umidità.
 - Non collegare il motore del ventilatore ad un interruttore dimmer. Questo potrebbe causare malfunzionamenti o danni al motore.
 - Non è consigliabile che i ventilatori a soffitto e gli apparecchi a gas funzionino contemporaneamente nella stessa stanza.
 - Il ventilatore deve essere completamente disattivato e arrestato prima di invertire la direzione di rotazione delle alette. Ciò eviterà che il motore del ventilatore e il controller vengano danneggiati.
 - Non inserire nessun oggetto tra le alette del ventilatore durante il funzionamento. Questo danneggerà le alette e comprometterà l'equilibrio del ventilatore facendo oscillare l'unità.
-

- Dopo aver installato completamente il ventilatore, assicurarsi che tutti i fissaggi della base e della alette del ventilatore siano fissati e serrati per evitare problemi.
- Alcuni collegamenti potrebbero allentarsi a causa del movimento naturale del ventilatore. Controllare le staffe dei collegamenti di supporto e i dispositivi di fissaggi delle alette due volte l'anno per assicurarsi che rimangano fissati. Se sono allentati, stringerli.
- L'utilizzo di apparecchi elettrici richiede il rispetto di alcune regole di base, quali:
 - Non toccare l'apparecchio con mani o piedi bagnati;
 - Non esporre mai l'apparecchio a condizioni atmosferiche (pioggia, sole, ecc.);
 - Non utilizzare l'apparecchio vicino a liquidi o gas potenzialmente esplosivi o infiammabili.
- Questo prodotto è SOLTANTO per uso domestico e non per uso industriale/commerciale o esterno.
- Tenere le batterie fuori dalla portata di bambini e animali, in quanto potrebbero causare lesioni se ingerite. In caso di ingestione, contattare immediatamente un medico.
- Se si notano segni visibili di danni, rotture o deterioramento, evitare il contatto diretto tra le batterie e la pelle, gli occhi o le mucose. Se le batterie che perdono liquido entrano in contatto con gli occhi, sciacquare immediatamente con abbondante acqua. Consultare immediatamente un medico.
- Assicurarsi di disattivare l'alimentazione prima di iniziare l'installazione.
- La sorgente luminosa di questo apparecchio di illuminazione non è sostituibile, quando la sorgente luminosa raggiunge la fine della sua vita utile l'intero apparecchio di illuminazione deve essere sostituito.
- L'installazione deve essere eseguita esclusivamente da un elettricista certificato.

[IT] INTRODUZIONE E GARANZIA

Grazie per aver scelto e acquistato il prodotto della V-TAC. La V-TAC Le servirà nel miglior modo possibile. Si prega di leggere attentamente queste istruzioni prima di iniziare l'installazione e di conservare questo manuale a portata di mano per riferimenti futuri. In caso di qualunque altra domanda si prega di contattare il nostro rivenditore o il distributore locale da chi è stato acquistato il prodotto. Loro sono addestrati e pronti a servirla nel miglior modo possibile. La garanzia è valida per 2 anni dalla data d'acquisto. La garanzia non si applica ai danni provocati dall'installazione errata o dall'usura anomala. L'azienda non fornisce alcuna garanzia per danni a qualsiasi superficie a causa della rimozione e dell'installazione errata del prodotto. I prodotti sono adatti per 10-12 ore di funzionamento quotidiano. L'utilizzo del prodotto per 24 ore al giorno annulla la garanzia. La garanzia di questo prodotto è valida soltanto per difetti di fabbricazione.

PARTI E COMPONENTI [FIG 1]

1. Staffa di montaggio
2. Barra portante e sfera di sospensione
3. Pannello
4. Alloggiamento del motore del ventilatore
5. Apparecchio di illuminazione
6. Paralume in vetro
7. Alette
8. Kit di viti, parti di montaggio della staffa (filo, dadi, rondelle di gomma) ed elementi di fissaggio

1. PRIMA DELL'USO

Disimballare con cura il ventilatore a soffitto, quindi rimuovere tutte le parti e i componenti e posizionarli su un panno o sull'altra superficie morbida per evitare di danneggiarli. Non posizionare l'alloggiamento del motore su un lato per evitare di danneggiarlo. Prima di iniziare l'installazione, verificare che tutte le parti siano disponibili.

2. ASSEMBLAGGIO DEL PRODOTTO

AVVERTIMENTO: Tutte le operazioni di installazione elettrica devono essere eseguite dopo lo scollegamento dell'alimentazione rimuovendo i fusibili o disattivando l'interruttore per evitare il rischio di scosse elettriche.

PASSI DELL'ASSEMBLAGGIO:

2.1. INSTALLAZIONE DELLA STAFFA DI MONTAGGIO

- La staffa di sospensione deve essere avvitata su una superficie piana e stabile. La struttura su cui è installata deve essere in grado di supportare un peso statico dieci volte superiore a quello del ventilatore. In caso di installazione del ventilatore a soffitto su una trave di legno, le due viti autofilettanti fornite dovrebbero essere sufficienti per supportare il peso del ventilatore a soffitto. Le rondelle fornite devono essere posizionate nel seguente ordine: testa della vite> rondella rotonda> rondella elastica> staffa di montaggio> soffitto [FIG 3].
- Avvitare la staffa di montaggio al soffitto e assicurarsi che tutti i collegamenti siano serrati saldamente per evitare la caduta del ventilatore. Allentare le due viti del pannello dalla staffa di montaggio [FIG 3].

NOTA: Le viti autofilettanti sono adatte soltanto per soffitti in legno. In caso di installazione del ventilatore a soffitto su soffitti o travi in cemento, utilizzare un trapano per realizzare fori e viti di fissaggio o di espansione (non incluse).

Strumenti e materiali richiesti (non inclusi) [FIG 2]

9. Controllo a distanza (Telecomando)
10. Cacciavite
11. Cacciavite piatto
12. Pinza o chiave regolabile
13. Scala a libretto
14. Pinza per taglio di fili/cavi
15. Nastro isolante

2.2. INSTALLAZIONE DELLA BARRA PORTANTE E DELLA SFERA DI SOSPENSIONE

- Svitare la vite sulla sfera di sospensione della barra portante, quindi allentare la sfera di sospensione. Rimuovere il perno di bloccaggio dalla parte interna della barra portante e rimuovere la sfera di sospensione dalla barra [FIG 4].
- Rimuovere il perno di collegamento con linguetta e la staffa ad U dalla barra portante. Se si preferisce utilizzare una barra portante più lunga, installare la sfera di sospensione su di essa e assicurarsi di spostare il cavo di messa a terra dall'una barra all'altra. Far passare i cavi di alimentazione elettrica dalla parte superiore del motore attraverso la barra portante fino a quando non escono dall'altra estremità [FIG 4].
- Inserire la barra portante nel foro dell'alloggiamento del motore e ruotarla per allineare i fori su entrambi i lati con i fori sulla barra portante [FIG 5].
- Passare la staffa ad U attraverso i fori in modo che passi anche attraverso la barra portante, facendo attenzione a non danneggiare i cavi. Passare la staffa ad U attraverso il perno di collegamento con linguetta e fissata saldamente.
- Serrare tutte le viti alla coppia specificata. Questo ridurrà al minimo il rischio di caduta della barra e del ventilatore.
- Se le viti non sono serrate correttamente, il motore potrebbe oscillare. Questo potrebbe essere pericoloso [FIG 6].
- Una volta terminati tutti i passi precedenti, installare la sfera di sospensione sulla barra portante, inserire il perno di bloccaggio nella barra portante e sollevare la sfera di sospensione. Quindi, serrare saldamente tutte le viti in modo che tutti gli elementi siano completamente e saldamente fissati [FIG 6].

2.3. SOSPENSIONE DEL VENTILATORE ALLA STAFFA DI MONTAGGIO E MONTAGGIO DELLE ALETTE

- Sollevare il ventilatore fino alla staffa di montaggio, inserire la sfera di sospensione nella staffa di montaggio attraverso il foro e lasciarla posizionarsi con cura [FIG 7].
- Ruotare la sfera e assicurarsi che la linguetta situata nella staffa di montaggio sia allineata con lo slot della sfera di sospensione [FIG 7].
- Una volta allineato, il ventilatore si posizionerà automaticamente nella posizione corretta. Questo impedirà la rotazione della barra e del ventilatore durante il funzionamento [FIG 7].

2.4. COMMANDO A DISTANZA (TELECOMANDO) ED ISTRUZIONI DI CABLAGGIO

- Inserire il ricevitore attraverso la staffa di sospensione e collegare i fili seguendo i codici di colore [FIG 8].
- Collegare i connettori a pulsante dal ventilatore al telecomando come indicato di seguito:

SCHEMA ELETTRICO [FIG 9].

2.5. MONTAGGIO DELLE ALETTE

- Rimuovere le tre viti e il LED dall'apparecchio di illuminazione [FIG 10].
- Inserire le alette attraverso le fessure laterali dell'alloggiamento del motore e allinearle con i tre fori [FIG 11].

- Fissare le alette con tre viti per aletta e assicurarsi che le tre viti per aletta siano serrate correttamente [FIG 11].
- Non serrare eccessivamente le viti per evitare di danneggiare le alette. Ripetere questo processo per tutte le alette [FIG 11].

NOTA: Se si installa più di un ventilatore, fare attenzione a non sostituire le alette e le viti poiché ogni modello è progettato con materiali e parti specifici.

2.6. INSTALLAZIONE DELL'APPARECCHIO DI ILLUMINAZIONE A LED E DEL PARALUME IN VETRO

- Collegare i fili dell'apparecchio di illuminazione a LED ai fili del motore del ventilatore. Allineare i fori delle viti del portalampada con quelli del motore e fissare entrambe le parti con l'aiuto delle viti fornite [FIG 12].
- Con le viti rimosse dell'apparecchio di illuminazione serrare il LED [FIG 13].
- Installare con cura il paralume in vetro sul corpo principale e ruotarlo in senso orario per bloccarlo [FIG 14].

AVVERTIMENTO: Non serrare eccessivamente le viti durante l'installazione del paralume in vetro.

3. FUNZIONAMENTO

L'interruttore di direzione sul corpo del ventilatore controlla il flusso d'aria:

- Modalità invernale: spostare l'interruttore verso L'ALTO in modo che le alette possano far circolare l'aria calda vicino al soffitto.
- Modalità estiva: spostare l'interruttore verso il BASSO in modo che le alette possano generare una brezza e migliorare la circolazione dell'aria.

AVVERTIMENTO: Prima di utilizzare l'interruttore di direzione, disattivare il ventilatore e assicurarsi che abbia smesso di ruotare per evitare potenziali lesioni e danni al motore. Cambiare direzione spostando l'interruttore verso l'alto o verso il basso quando il ventilatore è spento.

COMMANDO A DISTANZA (TELECOMANDO)

Utilizzare il telecomando per accendere e spegnere il ventilatore e per modificare la velocità [FIG 15].

- ATTIVAZIONE/DISATTIVAZIONE DEL APPARECCHIO DI ILLUMINAZIONE
 - Velocità del ventilatore
 - H - Velocità massima
 - M - Velocità media
 - L - Velocità minima
 - DISATTIVAZIONE DEL VENTILATORE
-

- Timer ...
- 1H – disattivazione automatica del ventilatore dopo 1 ora
- 2H – disattivazione automatica del ventilatore dopo 2 ore
- 4H – disattivazione automatica del ventilatore dopo 4 ore
- 8H – disattivazione automatica del ventilatore dopo 8 ore

AVVERTIMENTO:

- Accertarsi sempre che il coperchio del vano batterie sia chiuso correttamente.
- Non lasciare mai il telecomando alla luce diretta del sole.
- Non tentare di ricaricare le batterie scariche riscaldandole o con un caricabatterie. Le batterie ricaricabili sono sempre specificate come tali.
- Non gettare le batterie nel fuoco, potrebbero causare un'esplosione.

4. PULIZIA E MANUTENZIONE

1. Scollegare sempre il ventilatore dall'alimentazione e lasciarla arrestare prima di pulirla.
2. Pulire la superficie esterna con un panno morbido inumidito.

AVVERTIMENTO:

- Accertarsi che l'alimentazione sia disattivata dal fusibile principale o dall'interruttore automatico prima di tentare qualsiasi riparazione.
- Non immergere il ventilatore in acqua.
- Non utilizzare mai spugne abrasive, detersivi abrasivi o prodotti chimici.
- Pulire periodicamente il ventilatore. Utilizzare soltanto un panno o una spazzola. Le superfici metalliche sono coperte di vernice per prevenire l'appannamento.
- Non bagnare le parti interne del prodotto (specialmente il circuito stampato) in quanto ciò potrebbe essere molto pericoloso e danneggiare il ventilatore.
- Quando non si utilizza il prodotto, scollegarlo dall'alimentazione. Per la conservazione, riporlo nella sua scatola originale e conservarlo in un luogo fresco e asciutto fino ad ulteriore utilizzo.
- In caso di malfunzionamento o in caso di dubbi, non tentare di riparare da soli il ventilatore per evitare il rischio di incendi o di scosse elettriche.

5. RISOLUZIONE DEI PROBLEMI

IL VENTILATORE NON FUNZIONA

1. Controllare tutti i fusibili o gli interruttori automatici.
 2. Disattivare l'alimentazione e controllare tutti i collegamenti dei cavi.
-

IL VENTILATORE EMETTE RUMORI

1. Attendi sempre qualche giorno di “rodaggio” per ogni nuovo ventilatore a media o ad alta velocità. Provare a diagnosticare la posizione esatta del rumore ascoltando attentamente da diversi lati (alette, motore, kit di illuminazione, ecc.). Il rumore del ventilatore può provenire dal kit di illuminazione.
2. Accertarsi che tutte le viti del gruppo ventilatore e del kit di illuminazione siano serrate correttamente. In caso contrario, disattivare l'alimentazione e serrare le viti. Serrare le viti almeno una volta all'anno perché potrebbero allentarsi lentamente nel tempo e causare il rumore.
3. Accertarsi che il kit di illuminazione sia fissato saldamente al ventilatore e che tutte le viti del paralume in vetro siano serrate soltanto a mano. Non serrarli con una pinza o un cacciavite.
4. Assicurarsi che la staffa di montaggio sia installata correttamente alla scatola di giunzione.
5. Accertarsi che i dadi dei conduttori nella custodia dell'interruttore o nel pannello dell'interruttore non si scontrino l'uno con l'altro o con la parete della custodia. Avvolgere con nastro isolante se necessario.
6. Assicurarsi che il pannello non tocchi il soffitto.
7. Assicurarsi che le viti che fissano gli elementi di fissaggio delle alette al motore siano ben serrate e che siano state utilizzate le rondelle di bloccaggio fornite a tale scopo.

IL VENTILATORE NON GENERA GRANDE FLUSSO D'ARIA

1. Il ventilatore può funzionare nella direzione opposta, quindi l'aria può essere diretta verso l'alto.
2. La stanza può contenere oggetti che ostruiscono il flusso d'aria.
3. Il ventilatore potrebbe essere troppo piccolo per le dimensioni della stanza.

IL VENTILATORE OSCILLA

NOTA: Una piccola quantità di oscillazione è considerata accettabile e non deve essere considerata un difetto.

1. Accertarsi che la staffa di montaggio sia fissata saldamente al soffitto senza alcun movimento. Serrare le viti se necessario.
 2. Accertarsi che tutte le viti che fissano le alette al supporto delle alette e il supporto delle alette al motore siano serrate. Accertarsi che le viti del kit di illuminazione e le viti del paralume in vetro siano serrati.
-

ΟΔΗΓΙΕΣ ΑΣΦΑΛΕΙΑΣ

- Βεβαιωθείτε ότι η τάση τροφοδοσίας είναι σύμφωνη με αυτή στην πινακίδα τύπου της συσκευής.
- Ελέγχετε τακτικά το καλώδιο τροφοδοσίας για τυχόν ορατές βλάβες. Εάν το καλώδιο έχει υποστεί ζημιά, πρέπει να αντικατασταθεί από εξουσιοδοτημένη υπηρεσία τεχνικής υποστήριξης για να αποφευχθεί τυχόν κίνδυνος.

ΠΡΟΕΙΔΟΠΟΙΗΣΗ: Μην χρησιμοποιείτε τη συσκευή εάν το καλώδιο, το βύσμα ή το σώμα είναι κατεστραμμένο ή δεν λειτουργεί σωστά ή εάν το προϊόν έχει πέσει ή καταστραφεί με οποιονδήποτε τρόπο.

- Η συσκευή δεν προορίζεται για παιδιά κάτω των 8 ετών. Μπορεί να χρησιμοποιείται από παιδιά ηλικίας 8 ετών και άνω, εφόσον βρίσκονται υπό μόνιμη επίβλεψη.
- Η συσκευή αυτή δεν προορίζεται για χρήση από άτομα με σωματικές, αισθητηριακές ή διανοητικές αναπηρίες ή έλλειψη εμπειρίας ή γνώσης, εκτός εάν επιβλέπονται ή έχουν λάβει οδηγίες για την ασφαλή χρήση της συσκευής από τον υπεύθυνο για την ασφάλειά τους και δεν κατανοούν τους σχετικούς κινδύνους.
- Τα μικρά παιδιά πρέπει να επιβλέπονται για να εξασφαλιστεί ότι δεν παίζουν με τη συσκευή. Απαιτείται αυστηρός έλεγχος όταν η συσκευή χρησιμοποιείται από παιδιά ή κοντά σε αυτά.
- Κρατήστε τη συσκευή και το καλώδιο τροφοδοσίας του μακριά από παιδιά κάτω των 8 ετών.
- Μην επιχειρήσετε να επισκευάσετε μόνοι σας τη συσκευή. Επικοινωνήστε με επίσημη υπηρεσία τεχνικής υποστήριξης για συμβουλές.
- Ο καθαρισμός και η συντήρηση πρέπει να πραγματοποιούνται σύμφωνα με τις παρούσες οδηγίες λειτουργίας για να εξασφαλιστεί η σωστή λειτουργία της συσκευής. Πριν τον καθαρισμό, απενεργοποιείτε τη συσκευή και αποσυνδέετε το καλώδιο.
- Μην τοποθετείτε τον ανεμιστήρα κοντά σε καλύμματα, κουρτίνες ή αντικείμενα που μπορούν να αναρροφούν στον ανεμιστήρα.
- Η ελάχιστη απόσταση μεταξύ των λεπίδων του ανεμιστήρα και του δαπέδου πρέπει να είναι 2,3 μ. Η ελάχιστη φέρουσα ικανότητα του κιβωτίου εξόδου στην οποία είναι τοποθετημένος ο ανεμιστήρας πρέπει να είναι 45 kg.
- Μη χρησιμοποιείτε τη συσκευή σε κλειστούς χώρους με εκρηκτικές ή τοξικές αναθυμιάσεις.
- Αυτή η συσκευή μπορεί να χρησιμοποιηθεί από παιδιά ηλικίας 8 ετών και άνω και από άτομα με σωματικές, αισθητηριακές ή διανοητικές αναπηρίες ή έλλειψη εμπειρίας ή γνώσης, υπό τον όρο ότι επιβλέπονται ή έχουν δοθεί οδηγίες για την ασφαλή χρήση της συσκευής και κατανοούν τους σχετικούς κινδύνους. Δεν πρέπει να επιτρέπεται στα παιδιά να παίζουν με τη συσκευή. Ο καθαρισμός και η συντήρηση από την πλευρά του χρήστη δεν πρέπει να πραγματοποιούνται από παιδιά χωρίς παρακολούθηση.

- Βεβαιωθείτε ότι έχετε εγκαταστήσει αποζεύκτη σε όλους τους πόλους των καλωδίων τροφοδοσίας του ανεμιστήρα οροφής με απόσταση τουλάχιστον 3 mm.
 - Βεβαιωθείτε ότι η θέση εγκατάστασης εμποδίζει την επαφή μεταξύ των περιστρεφόμενων λεπίδων και οποιουδήποτε αντικειμένου και ότι υπάρχει ελάχιστη απόσταση 150 mm (6 ") από τα άκρα των λεπίδων μέχρι τον τοίχο ή την οροφή. Σημειώστε ότι όσο μεγαλύτερη είναι η απόσταση, τόσο μεγαλύτερη είναι η ροή αέρα που παράγεται από τον ανεμιστήρα.
 - Απενεργοποιήστε την τροφοδοσία ρεύματος πριν σύνδεση ή επισκευή του ανεμιστήρα.
 - Η ηλεκτρική καλωδίωση πρέπει να συμμορφώνεται με τους τοπικούς κανονισμούς.
 - Ο ανεμιστήρας πρέπει να είναι κατάλληλα γειωμένος για να αποφευχθεί ο κίνδυνος ηλεκτροπληξίας. Μην τοποθετείτε ποτέ τη συσκευή σε βρεγμένο ή υγρό χώρο. Προσέχετε όταν εργάζεστε κοντά στις περιστρεφόμενες λεπίδες.
 - Αυτή η συσκευή πρέπει να εγκατασταθεί σύμφωνα με τους εθνικούς κανονισμούς ηλεκτρικής εγκατάστασης.
 - Πριν αφαιρέσετε την ασφάλεια, βεβαιωθείτε ότι ο ανεμιστήρας είναι αποσυνδεδεμένος από το ηλεκτρικό δίκτυο.
 - Εάν παρατηρήσετε ασυνήθιστους κραδασμούς, απενεργοποιήστε αμέσως τον ανεμιστήρα οροφής και επικοινωνήστε με τον κατασκευαστή, τον αντιπρόσωπο υπεύθυνο για την επισκευή του ή με ένα εξειδικευμένο άτομο.
 - Η αντικατάσταση εξαρτημάτων του συστήματος ασφαλούς ανάρτησης πρέπει να πραγματοποιείται από τον κατασκευαστή, τον αντιπρόσωπο υπεύθυνο για την επισκευή του ή από άτομο με κατάλληλη εξειδίκευση.
 - Η εγκατάσταση του συστήματος ανάρτησης πρέπει να πραγματοποιείται από τον κατασκευαστή, τον αντιπρόσωπο υπεύθυνο για την επισκευή του ή από άτομο με κατάλληλη εξειδίκευση.
 - Για να εξασφαλίσετε την ασφάλεια των παιδιών σας, φυλάξτε τα υλικά συσκευασίας (πλαστικές σακούλες, κουτιά, πολυστυρένιο κ.λπ.) μακριά από αυτά.
- ΣΗΜΑΝΤΙΚΟ:** Απενεργοποιήστε τον κύριο διακόπτη λειτουργίας κατά τη διάρκεια της εγκατάστασης ή της συντήρησης. Συνιστάται να αποσυνδέσετε το βύσμα του αυτόματου διακόπτη πριν αυτό του ανεμιστήρα (τόσο ο διακόπτης παροχής ρεύματος όσο και ο διακόπτης ανεμιστήρα πρέπει να απενεργοποιηθούν).
- Μην χρησιμοποιείτε σε εξωτερικούς χώρους. Το προϊόν πρέπει να τοποθετηθεί σε ξηρό μέρος όπου δεν θα εκτίθεται σε νερό ή υγρασία.
 - Μην συνδέετε τον κινητήρα του ανεμιστήρα σε διακόπτη με ντίμερ. Αυτό μπορεί να προκαλέσει δυσλειτουργία και ζημιές στον κινητήρα.
 - Δεν συνιστάται οι ανεμιστήρες οροφής και οι συσκευές αερίου να λειτουργούν ταυτόχρονα στο ίδιο δωμάτιο.
 - Πριν αλλάξετε την κατεύθυνση περιστροφής των λεπίδων, απενεργοποιήστε τον ανεμιστήρα και περιμένετε να σταματήσει. Αυτό αποτρέπει τη ζημιά του κινητήρα του ανεμιστήρα και του ελεγκτή.
 - Μην τοποθετείτε αντικείμενα μεταξύ των λεπίδων του ανεμιστήρα ενώ περιστρέφεται. Αυτό μπορεί να τις βλάψει, να διακόψει την ισορροπία του ανεμιστήρα και να προκαλέσει κραδασμούς.

- Αφού ολοκληρώσετε την εγκατάσταση του ανεμιστήρα, βεβαιωθείτε ότι όλους τους σφιγκτήρες στη βάση και οι λεπίδες του ανεμιστήρα είναι σταθερά στερεωμένα και σφιγμένα για να αποφευχθούν τυχόν προβλήματα.
- Λόγω της φυσικής κίνησης του ανεμιστήρα, ορισμένες συνδέσεις ενδέχεται να χαλαρώσουν. Ελέγχετε τις βασικές συνδέσεις, τις κονσόλες και τους σφιγκτήρες των λεπίδων δύο φορές το χρόνο για να βεβαιωθείτε ότι είναι ασφαλισμένοι. Εάν έχουν χαλαρώσει, σφίξτε τα.
- Η χρήση ηλεκτρικών συσκευών απαιτεί τη συμμόρφωση με ορισμένους βασικούς κανόνες, όπως:
 - Μην αγγίζετε τη συσκευή με βρεγμένα χέρια ή πόδια.
 - Η συσκευή δεν πρέπει ποτέ να εκτίθεται σε καιρικές συνθήκες (βροχή, ήλιο, κλπ.).
 - Η συσκευή δεν πρέπει να χρησιμοποιείται κοντά σε δυνητικά εκρηκτικά ή εύφλεκτα υγρά ή αέρια.
- Το προϊόν αυτό προορίζεται μόνο για οικιακή χρήση και όχι για βιομηχανική ή εξωτερική χρήση.
- Φυλάσσετε τις μπαταρίες μακριά από παιδιά και ζώα, επειδή ενδέχεται να προκαλέσουν τραυματισμό σε περίπτωση κατάποσης. Σε περίπτωση κατάποσης ζητήστε αμέσως ιατρική συμβουλή.
- Εάν παρατηρήσετε ορατά σημεία βλάβης, θραύσης ή φθοράς, αποφύγετε την άμεση επαφή μεταξύ των μπαταριών και του δέρματος, των ματιών ή των βλεννώδων μεμβράνων. Εάν οι εκτεθειμένες μπαταρίες έρχονται σε επαφή με τα μάτια, ξεπλύνετε αμέσως με άφθονο νερό. Ζητήστε αμέσως ιατρική βοήθεια.
- Απενεργοποιήστε την παροχή ρεύματος πριν ξεκινήσετε την εγκατάσταση.
- Η φωτεινή πηγή αυτού του φωτιστικού δεν είναι εναλλάξιμη. Όταν φτάσει στο τέλος της διάρκειας ζωής του, πρέπει να αντικατασταθεί ολόκληρο το φωτιστικό σώμα.
- Η εγκατάσταση πρέπει να εκτελείται μόνο από πιστοποιημένο ηλεκτρολόγο.

[EL] ΕΙΣΑΓΩΓΗ - ΕΓΓΥΗΣΗ

Σας ευχαριστούμε για το ότι επιλέξατε και αγοράσατε το προϊόν της Bi-TAK(V-TAC). Η Bi-TAK (V-TAC) θα σας εξυπηρετήσει με τον καλύτερο δυνατό τρόπο. Παρακαλούμε να διαβάσετε προσεκτικά τις οδηγίες μας προτού τοποθετήσετε και διατηρήσετε τις οδηγίες για τη μετέπειτα ενημέρωσή σας. Αν έχετε άλλα ερωτήματα και απορίες, παρακαλούμε να έλθετε σε επαφή με τον προμηθευτή μας ή με τον εγχώριο έμπορο από τον οποίο αγοράσατε το προϊόν. Αυτοί εκπαιδεύτηκαν κατάλληλα και είναι πρόθυμοι να σας εξυπηρετήσουν με τον καλύτερο τρόπο. Η εγγύηση ισχύει για περίοδο 2 ετών από την ημερομηνία της αγοράς. Η εγγύηση δεν εφαρμόζεται σε περίπτωση που προκληθούν ζημιές εξαιτίας λάθος τοποθέτησης ή ασυνήθιστης φθοράς. Η εταιρεία δεν παρέχει εγγύηση για ζημιές σε οποιαδήποτε επιφάνεια εξαιτίας τις λάθος απομάκρυνσης ή τοποθέτησης του προϊόντος. Τα προϊόντα είναι κατάλληλα για χρήση 10-12 ωρών την ημέρα. Η χρήση του προϊόντος επί 24 ώρες έχει ως αποτέλεσμα την ακύρωση της εγγύησης. Η εγγύηση του προϊόντος αφορά μόνο τα ελαττώματα της παραγωγής.

ΜΕΡΗ ΚΑΙ ΕΞΑΡΤΗΜΑΤΑ [Εικόνα 1]

1. Κονσόλα εγκατάστασης
2. Ράβδος και σφαίρα ανάρτησης
3. Πάνελ
4. Σώμα του κινητήρα του ανεμιστήρα
5. Φωτιστικό σώμα
6. Γυάλινο αμπαζούρ
7. Λεπίδες
8. Σετ βιδών, εξαρτήματα εγκατάστασης για την κονσόλα (καλώδιο, παξιμάδια, ροδέλες καουτσούκ) και σφιγκτήρες

Απαραίτητα εργαλεία και υλικά (δεν περιλαμβάνονται)
[Εικόνα 2]

9. Τηλεχειριστήριο
10. Κατσαβίδι
11. Επίπεδο κατσαβίδι
12. Ρυθμιζόμενη πένσα ή κλειδί
13. Κινούμενη σκάλα
14. Πένσες κοπής σύρματος / καλωδίου
15. Ηλεκτρική ταινία (μονωτική ταινία)

1. ΠΡΙΝ ΧΡΗΣΗ

Αποσυσκευάστε προσεκτικά τον ανεμιστήρα οροφής, αφαιρέστε όλα τα μέρη και τα εξαρτήματα και τοποθετήστε τα σε ένα πανί ή άλλη μαλακή επιφάνεια για να αποφύγετε την καταστροφή τους. Μην τοποθετείτε το σώμα του κινητήρα στη μία πλευρά για να αποφύγετε την καταστροφή του. Πριν ξεκινήσετε την εγκατάσταση, βεβαιωθείτε ότι είναι διαθέσιμα όλα τα εξαρτήματα.

2. ΣΥΝΑΡΜΟΛΟΓΗΣΗ ΤΟΥ ΠΡΟΪΟΝΤΟΣ

ΠΡΟΕΙΔΟΠΟΙΗΣΗ: Όλες οι εργασίες σε σχέση με την ηλεκτρική εγκατάσταση πρέπει να εκτελούνται μετά την απενεργοποίηση της τροφοδοσίας μέσω αφαίρεσης τις ασφάλειες ή αποσύνδεση από το διακόπτη ασφάλειας για να αποφευχθεί ο κίνδυνος ηλεκτροπληξίας.

ΒΗΜΑΤΑ ΣΥΝΑΡΜΟΛΟΓΗΣΗΣ:

2.1. ΣΥΝΑΡΜΟΛΟΓΗΣΗ ΤΗΣ ΚΟΝΣΟΛΑΣ ΕΓΚΑΤΑΣΤΑΣΗΣ

- Η κονσόλα ανάρτησης πρέπει να βιδωθεί σε μια σταθερή, επίπεδη επιφάνεια. Η δομή στην οποία είναι τοποθετημένη πρέπει να αντέχει ένα στατικό βάρος δέκα φορές μεγαλύτερο από αυτό του ανεμιστήρα. Κατά την εγκατάσταση του ανεμιστήρα οροφής σε μια ξύλινη δοκό, οι δύο βίδες αυτοεπιπεδώματος που περιλαμβάνονται στην παράδοση πρέπει να είναι επαρκείς ώστε να παρέχουν στήριξη στον ανεμιστήρα οροφής. Οι παρεχόμενες ροδέλες τοποθετούνται με την ακόλουθη σειρά: κεφαλή βίδας> στρόγγυλη ροδέλα> ροδέλα ελατηρίου> κονσόλα εγκατάστασης> οροφή [Εικόνα 3].
- Βιδώστε την κονσόλα εγκατάστασης στην οροφή και βεβαιωθείτε ότι όλες οι συνδέσεις είναι καλά σφιγμένες για να μην πέσει ο ανεμιστήρας. Χαλαρώστε τις δύο βίδες στο πάνελ από την κονσόλα εγκατάστασης [Εικόνα 3].

ΣΗΜΕΙΩΣΗ: Οι βίδες αυτοεπιπεδώματος είναι κατάλληλοι μόνο για ξύλινες οροφές. Κατά την εγκατάσταση του ανεμιστήρα οροφής σε οροφές ή δοκούς από σκυρόδεμα, τρυπήστε τρύπες με ένα τρυπάνι και χρησιμοποιήστε βίδες συγκράτησης ή διαστολής (δεν περιλαμβάνονται στην παράδοση).

2.2. ΣΥΝΑΡΜΟΛΟΓΗΣΗ ΤΗΣ ΦΕΡΟΥΣΑΣ ΡΑΒΔΟΥ ΚΑΙ ΤΗΣ ΣΦΑΙΡΑΣ ΑΝΑΡΤΗΣΗΣ

- Ξεβιδώστε τη βίδα στη σφαίρα ανάρτησης της ράβδου και στη συνέχεια χαλαρώστε τη σφαίρα ανάρτησης. Αφαιρέστε την πινέζα ασφάλισης από το εσωτερικό της ράβδου και αφαιρέστε τη σφαίρα ανάρτησης από τη ράβδο [Εικόνα 4].
- Αφαιρέστε την πινέζα σύνδεσης με τον πείρο και το U-κλιπ από τη ράβδο. Αν προτιμάτε να χρησιμοποιήσετε μια μεγαλύτερη ράβδο, τοποθετήστε σε αυτήν τη σφαίρα ανάρτησης και μετακινήστε το καλώδιο γείωσης πάνω σε αυτήν. Περάστε τους ακροδέκτες από την πάνω μέρος του κινητήρα σε όλο το μήκος της ράβδου μέχρι να βγουν από την άλλη πλευρά της [Εικόνα 4].
- Τοποθετήστε τη ράβδο στο άνοιγμα του σώματος του κινητήρα και περιστρέψτε το για να ευθυγραμμίσετε τα ανοίγματα και στις δύο πλευρές με τα ανοίγματα στη ράβδο [Εικόνα 5].
- Περάστε το U-κλιπ μέσα στα ανοίγματα έτσι ώστε αυτό να περάσει μέσα από τη ράβδο, φροντίζοντας να μην βλάψετε τα καλώδια. Περάστε το U-κλιπ μέσα από την πινέζα σύνδεσης με πείρο και ασφαλίστε το καλά [Εικόνα 5].
- Σφίξτε όλες τις βίδες με την καθορισμένη ροπή στρέψης. Αυτό ελαχιστοποιεί τον κίνδυνο πτώσης της ράβδου και του ανεμιστήρα [Εικόνα 5].
- Εάν οι βίδες δεν είναι καλά σφιγμένες, μπορεί να παρουσιαστούν κραδασμοί στον κινητήρα. Αυτό μπορεί να είναι επικίνδυνο [Εικόνα 6].
- Αφού ολοκληρώσετε τα παραπάνω βήματα, τοποθετήστε τη σφαίρα ανάρτησης στη ράβδο, τοποθετήστε την πινέζα ασφάλισης στη ράβδο και ανασηκώστε τη σφαίρα. Μετά σφίξτε όλες τις βίδες καλά για να βεβαιωθείτε ότι όλα τα στοιχεία είναι πλήρως και σταθερά στερεωμένα [Εικόνα 6].

2.3. ΑΝΑΡΤΗΣΗ ΤΟΥ ΑΝΕΜΙΣΤΗΡΑ ΣΤΗΝ ΚΟΝΣΟΛΑ ΕΓΚΑΤΑΣΤΑΣΗΣ ΚΑΙ ΣΥΝΔΕΣΗ ΤΩΝ ΛΕΠΙΔΩΝ

- Σηκώστε τον ανεμιστήρα στην κονσόλα εγκατάστασης, τοποθετήστε τη σφαίρα ανάρτησης στην κονσόλα εγκατάστασης μέσω του ανοίγματος και τοποθετήστε την προσεκτικά.
- Περιστρέψτε τη σφαίρα και ευθυγραμμίστε το αυτί του κλιπ εγκατάστασης με το άνοιγμα της σφαίρας ανάρτησης.
- Μόλις ευθυγραμμιστεί, ο ανεμιστήρας αποκτά αυτόματα τη σωστή θέση του. Αυτό αποτρέπει την περιστροφή της ράβδου και του ανεμιστήρα κατά τη λειτουργία

2.4. ΤΗΛΕΧΕΙΡΙΣΤΗΡΙΟ ΚΑΙ ΟΔΗΓΙΕΣ ΚΑΛΩΔΙΩΣΗΣ

- Τοποθετήστε τον δέκτη μέσω της κονσόλας ανάρτησης και συνδέστε τα καλώδια ακολουθώντας τους κωδικούς χρώματος [Εικόνα 8].
- Συνδέστε τους συνδετήρες από τον ανεμιστήρα στο τηλεχειριστήριο όπως φαίνεται παρακάτω:

ΗΛΕΚΤΡΙΚΟ ΔΙΑΓΡΑΜΜΑ [Εικόνα 9]

2.5. ΣΥΝΑΡΜΟΛΟΓΗΣΗ ΤΩΝ ΛΕΠΙΔΩΝ

- Αφαιρέστε τις τρεις βίδες και τις λυχνίες LED από το φωτιστικό [Εικόνα 10].

- Τοποθετήστε τις λεπίδες μέσα από πλευρικά ανοίγματα του σώματος του κινητήρα και ευθυγραμμίστε τις με τα 3 ανοίγματα [Εικόνα 11].
- Ασφαλίστε τις λεπίδες με 3 βίδες και σφίξτε καλά τις τρεις λεπίδες [Εικόνα 11].
- Μη σφίγγετε τις βίδες πάρα πολύ, επειδή μπορεί να προκληθεί βλάβη στις λεπίδες. Επαναλάβετε αυτή τη διαδικασία για όλες τις λεπίδες [Εικόνα 11].

ΣΗΜΕΙΩΣΗ: Εάν εγκαταστήσετε περισσότερους από έναν ανεμιστήρες, προσέξτε να μην αντικαταστήσετε τις λεπίδες και τις βίδες, επειδή κάθε μοντέλο είναι εξοπλισμένο με ειδικά υλικά και εξαρτήματα.

2.6. ΣΥΝΑΡΜΟΛΟΓΗΣΗ ΤΗΣ ΛΥΧΝΙΑΣ LED ΚΑΙ ΤΟΥ ΓΥΑΛΙΝΟΥ ΑΜΠΑΖΟΥΡ

- Συνδέστε τα καλώδια της λυχνίας LED με αυτά του κινητήρα του ανεμιστήρα. Ευθυγραμμίστε τα ανοίγματα των βιδών της υποδοχής με τις υποδοχές του κινητήρα και συνδέστε τα εξαρτήματα με τη βοήθεια των βιδών που περιλαμβάνονται στην παράδοση [Εικόνα 12].
- Σφίξτε τις λυχνίες LED με τις βίδες που αφαιρέσατε από το φωτιστικό [Εικόνα 13].
- Τοποθετήστε προσεκτικά το γυάλινο αμπαζούρ του κύριου σώματος και γυρίστε το δεξιόστροφα για να το ασφαλίσετε [Εικόνα 14].

ΠΡΟΕΙΔΟΠΟΙΗΣΗ: Μην σφίξτε τις βίδες πάρα πολύ κατά την εγκατάσταση του γυάλινου αμπαζούρ.

3. ΛΕΙΤΟΥΡΓΙΑ

Ο διακόπτης για την κατεύθυνση του σώματος του ανεμιστήρα ρυθμίζει τη ροή του αέρα:

- Χειμερινή λειτουργία: τοποθετήστε το διακόπτη προς τα επάνω ώστε οι λεπίδες να μπορούν να κυκλοφορούν θερμό αέρα γύρω από την οροφή.
- Λειτουργία πτήσης: τοποθετήστε το διακόπτη προς τα κάτω έτσι ώστε οι λεπίδες να μπορούν να δημιουργούν αεράκι και να βελτιώνουν την κυκλοφορία του αέρα.

ΡΟΕΙΔΟΠΟΙΗΣΗ: Πριν χρησιμοποιήσετε τον διακόπτη κατεύθυνσης, απενεργοποιήστε τον ανεμιστήρα και περιμένετε να σταματήσει να περιστρέφεται για να αποφευχθεί ενδεχόμενο τραυματισμό και ζημιά στον κινητήρα. Αλλάξτε την κατεύθυνση τοποθετώντας το διακόπτη προς τα πάνω ή προς τα κάτω με τον ανεμιστήρα απενεργοποιημένο.

ΤΗΛΕΧΕΙΡΙΣΤΗΡΙΟ

Χρησιμοποιήστε το τηλεχειριστήριο για ενεργοποίηση και απενεργοποίηση του ανεμιστήρα και για αλλαγή των ταχυτήτων [Εικόνα 15].

• ΕΝΕΡΓΟΠΟΙΗΣΗ/ΑΠΕΝΕΡΓΟΠΟΙΗΣΗ

του φωτιστικού

- Ταχύτητα του ανεμιστήρα
- H – μέγιστη ταχύτητα
- M – μεσαία ταχύτητα
- L – ελάχιστη ταχύτητα

- Απενεργοποίηση του ανεμιστήρα
- Χρονοδιακόπτης
- 1H- αυτόματη απενεργοποίηση του ανεμιστήρα μετά από 1 ώρα
- 2H- αυτόματη απενεργοποίηση του ανεμιστήρα μετά από 2 ώρες
- 4H- αυτόματη απενεργοποίηση του ανεμιστήρα μετά από 4 ώρες
- 8H- αυτόματη απενεργοποίηση του ανεμιστήρα μετά από 8 ώρες

ΑΝΤΙΚΑΤΑΣΤΑΣΗ ΤΩΝ ΜΠΑΤΑΡΙΩΝ

1. Για να αντικαταστήσετε τις μπαταρίες του τηλεχειριστηρίου, πιάστε το κάλυμμα της θήκης μπαταριών και σύρετέ το προς την κατεύθυνση του δείκτη.
2. Για το τηλεχειριστήριο απαιτείται μπαταρία A23 12V.
3. Επανατοποθετήστε το κάλυμμα της θήκης μπαταριών.

ΠΡΟΕΙΔΟΠΟΙΗΣΗ:

- Ελέγχετε πάντα εάν το κάλυμμα της θήκης μπαταριών είναι ασφαλές.
- Ποτέ μην αφήνετε το τηλεχειριστήριο σε άμεσο ηλιακό φως.
- Μην προσπαθήσετε να επαναφορτίσετε τις αποφορτισμένες μπαταρίες με τη θέρμανσή τους ή χρησιμοποιώντας φορτιστή μπαταρίας. Οι επαναφορτιζόμενες μπαταρίες χαρακτηρίζονται πάντοτε ως τέτοιες.
- Μην απορρίπτετε τις μπαταρίες σε φωτιά, επειδή αυτό μπορεί να προκαλέσει έκρηξη.

4. ΚΑΘΑΡΙΣΜΟΣ ΚΑΙ ΤΕΧΝΙΚΗ ΣΥΝΤΗΡΗΣΗ

1. Πάντα αποσυνδέετε τον ανεμιστήρα από την τροφοδοσία ρεύματος και περιμένετε να σταματήσει πριν τον καθαρισμό.
2. Καθαρίστε την εξωτερική επιφάνεια με μαλακό υγρό πανί.

ΠΡΟΕΙΔΟΠΟΙΗΣΗ:

- Πριν ξεκινήσετε την επισκευή, βεβαιωθείτε ότι έχετε αποσυνδέσει την ασφάλεια από το δίκτυο ή τον αυτόματο διακόπτη.
- Μη βυθίζετε τον ανεμιστήρα σε νερό.
- Ποτέ μην χρησιμοποιείτε μεταλλικά σφουγγάρια, λειαντικά καθαριστικά ή χημικά.
- Καθαρίζετε περιοδικά τον ανεμιστήρα. Χρησιμοποιήστε μόνο πανί ή βούρτσα. Οι μεταλλικές επιφάνειες είναι καλυμμένες με βερνίκι για να αποφευχθεί η σκουρόχρωση / η απώλεια της λάμψης.
- Μην βρέξετε τα εσωτερικά μέρη του προϊόντος (ειδικά την πλακέτα τυπωμένου κυκλώματος), επειδή αυτό μπορεί να είναι πολύ επικίνδυνο και μπορεί να προκαλέσει βλάβη στον ανεμιστήρα.
- Όταν δεν χρησιμοποιείτε το προϊόν, αποσυνδέστε το από την τροφοδοσία ρεύματος. Για αποθήκευση, τοποθετήστε το στο αρχικό κιβώτιό του και αποθηκεύστε το σε ξηρό και αεριζόμενο μέρος μέχρι να χρησιμοποιηθεί περαιτέρω.
- Όταν αποθηκεύετε το προϊόν, τοποθετήστε το στο αρχικό κιβώτιό του και αποθηκεύστε το σε ξηρό και αεριζόμενο μέρος μέχρι να χρησιμοποιηθεί περαιτέρω.
- Σε περίπτωση δυσλειτουργίας ή σε περίπτωση αμφιβολιών, μην επιχειρήσετε να επισκευάσετε τον ανεμιστήρα μόνοι σας για να αποφύγετε τον κίνδυνο πυρκαγιάς ή ηλεκτροπληξίας.

5. ΕΥΡΕΣΗ ΚΑΙ ΑΝΤΙΜΕΤΩΠΙΣΗ ΔΥΣΛΕΙΤΟΥΡΓΙΩΝ

Ο ΑΝΕΜΙΣΤΗΡΑΣ ΔΕΝ ΕΝΕΡΓΟΠΟΙΕΙΤΑΙ

1. Ελέγξτε όλες τις ασφάλειες ή τους αυτόματους διακόπτες κυκλώματος.
2. Απενεργοποιήστε την τροφοδοσία ρεύματος και ελέγξτε όλες τις καλωδιακές συνδέσεις.

Ο ΑΝΕΜΙΣΤΗΡΑΣ ΛΕΙΤΟΥΡΓΕΙ ΘΟΡΥΒΩΔΕΣ

1. Αφήστε πάντα μερικές μέρες για "ανάπτυξη" του νέου ανεμιστήρα σε μεσαίες ή υψηλές ταχύτητες. Προσπαθήστε να διαγνώσετε την ακριβή θέση του θορύβου ακούγοντας προσεκτικά από πολλές πλευρές (λεπίδες, κινητήρα, μπλοκ φωτιστικού, κλπ.). Ο θόρυβος του ανεμιστήρα μπορεί να προέρχεται από το μπλοκ του φωτιστικού.
2. Βεβαιωθείτε ότι όλες οι βίδες του μπλοκ του ανεμιστήρα και του μπλοκ του φωτιστικού έχουν βιδωθεί και σφιχτεί σωστά. Εάν όχι, απενεργοποιήστε την τροφοδοσία ρεύματος και σφίξτε τις βίδες. Σφίξτε τις βίδες τουλάχιστον μια φορά το χρόνο, επειδή μπορούν να χαλαρώνουν αργά με την πάροδο του χρόνου και να δημιουργούν θόρυβο.
3. Βεβαιωθείτε ότι το μπλοκ του φωτιστικού είναι σταθερά στερεωμένο στον ανεμιστήρα και ότι όλες οι βίδες του γυάλινου αμπαζούρ έχουν σφιχθεί μόνο με το χέρι. Μην τα σφίγγετε με πένσες ή κατσαβίδι.
4. Βεβαιωθείτε ότι η κονσόλα εγκατάστασης είναι σταθερά στερεωμένη στο κουτί διακλάδωσης.
5. Βεβαιωθείτε ότι τα παξιμάδια των καλωδίων στο σώμα του διακόπτη ή του πάνελ δεν συγκρούονται μεταξύ τους ή μέσα στο τοίχωμα του σώματος. Εάν είναι απαραίτητο, τυλίξτε τα με μονωτική ταινία.
6. Βεβαιωθείτε ότι το πάνελ δεν αγγίζει την οροφή.
7. Βεβαιωθείτε ότι οι βίδες που στερεώνουν τους συγκρατητήρες των λεπίδων στον κινητήρα είναι σφιγμένες και ότι χρησιμοποιούνται οι προβλεπόμενοι ροδέλες ασφάλισης.

Ο ΑΝΕΜΙΣΤΗΡΑΣ ΔΕΝ ΔΗΜΙΟΥΡΓΕΙ ΜΕΓΑΛΗ ΡΟΗ ΑΕΡΑ

1. Ο ανεμιστήρας μπορεί να λειτουργεί στην αντίθετη κατεύθυνση και ο αέρας μπορεί να κατευθυνθεί προς τα πάνω.
2. Ο χώρος μπορεί να περιέχει αντικείμενα που παρεμποδίζουν τη ροή του αέρα.
3. Ο ανεμιστήρας μπορεί να είναι πολύ μικρός για το μέγεθος του δωματίου.

ΚΡΑΔΑΣΜΟΣ ΤΟΥ ΑΝΕΜΙΣΤΗΡΑ

ΣΗΜΕΙΩΣΗ: Οι μικροί κραδασμοί θεωρούνται αποδεκτοί και δεν πρέπει να θεωρούνται ελάττωμα.

1. Βεβαιωθείτε ότι η κονσόλα εγκατάστασης είναι σταθερά ασφαλισμένη στην οροφή και δεν κινείται καθόλου. Εάν είναι απαραίτητο, σφίξτε τις βίδες.
2. Βεβαιωθείτε ότι έχουν σφιχτεί όλες οι βίδες που συγκρατούν τις λεπίδες στο στήριγμα της λεπίδας και το στήριγμα της λεπίδας προς τον κινητήρα. Βεβαιωθείτε ότι έχουν σφιχτεί οι βίδες στο μπλοκ του φωτιστικού και στη γυάλινο αμπαζούρ.

INSTRUKCJE BEZPIECZEŃSTWA

- Upewnij się, że napięcie zasilania odpowiada wartości podanej na tabliczce znamionowej Twojego urządzenia.
- Sprawdzaj regularnie przewód zasilający pod kątem widocznych uszkodzeń. Jeśli kabel jest uszkodzony, musi on zostać wymieniony przez autoryzowany serwis pomocy technicznej, aby uniknąć wszelkiego rodzaju zagrożeń.

OSTRZEŻENIE: Nie używaj urządzenia, jeśli jego przewód, wtyczka lub obudowa są uszkodzone lub działają nieprawidłowo, tak samo jeśli produkt został upuszczony lub w jakikolwiek sposób uszkodzony.

- Urządzenie nie jest przeznaczone do użytku przez dzieci w wieku poniżej 8 lat. Mogą z niego korzystać dzieci w wieku 8 lat lub starsze, o ile są pod stałym nadzorem.
- To urządzenie może być używane przez osoby niepełnosprawne fizycznie, sensorycznie lub umysłowo lub przez osoby bez doświadczenia lub wiedzy - pod warunkiem, że są one nadzorowane lub poinstruowane w zakresie bezpiecznego użytkowania urządzenia i są w stanie zrozumieć związane z tym ryzyko.
- Małe dzieci powinny być nadzorowane, aby nie bawiły się urządzeniem. Wymagana jest ścisła kontrola, gdy urządzenie jest używane przez lub w pobliżu dzieci.
- Trzymaj urządzenie i przewód zasilający w miejscu niedostępnym dla dzieci w wieku poniżej 8 lat.
- Nie próbuj samodzielnie naprawiać urządzenia. Skontaktuj się z oficjalnym centrum serwisowym pomocy technicznej w celu uzyskania porady.
- Czyszczenie i konserwacja urządzenia muszą być wykonywane zgodnie z niniejszą instrukcją obsługi, aby zapewnić prawidłowe działanie urządzenia. Przed czyszczeniem wyłącz urządzenie i odłącz kabel od sieci elektrycznej.
- Nie umieszczaj wentylatora w pobliżu firanek, zasłon lub przedmiotów, które mogą zostać wciągnięte do wentylatora.
- Minimalna odległość między łopatkami wentylatora a podłogą powinna wynosić 2,3 m. Minimalna nośność skrzynki wylotowej, na której zamontowany jest wentylator, musi wynosić 45 kg.
- Nie używaj urządzenia w zamkniętych przestrzeniach z wybuchowymi lub toksycznymi oparami.
- To urządzenie może być używane przez dzieci w wieku 8 lat i starsze oraz przez osoby niepełnosprawne fizycznie, sensorycznie lub umysłowo lub przez osoby bez doświadczenia lub wiedzy - pod warunkiem, że są one nadzorowane lub poinstruowane w zakresie bezpiecznego użytkowania urządzenia i są w stanie zrozumieć związane z tym ryzyko. Dzieci nie powinny mieć możliwości zabawy z urządzeniem. Czyszczenie i konserwacja przez użytkownika nie powinny być wykonywane przez dzieci bez opieki.
- Należy zamontować odłącznik na wszystkich biegunach kabli zasilających wentylatora sufitowego, z odległością między biegunami, co najmniej, 3 mm.

- Upewnij się, że pozycja montażowa nie pozwala na kontakt między obracającymi się łopatkami a jakimikolwiek przedmiotami oraz że odległość między końcami łopatek a ścianą lub sufitem wynosi co najmniej 150 mm (6"). Należy pamiętać, że im większa jest odległość, tym większy przepływ powietrza generowany zostanie przez wentylator.
 - Wyłącz zasilanie przed podłączeniem lub naprawą wentylatora.
 - Okablowanie elektryczne musi być zgodne z lokalnymi przepisami.
 - Wentylator musi być odpowiednio uziemiony, aby uniknąć ryzyka porażenia prądem. Nigdy nie montuj urządzenia w mokrym lub wilgotnym miejscu. Zachowaj ostrożność podczas pracy w pobliżu obracających się łopatek.
 - To urządzenie musi być zamontowane zgodnie z krajowymi przepisami dotyczącymi montażu urządzeń elektrycznych.
 - Przed wyjęciem bezpiecznika upewnij się, że wentylator jest odłączony od zasilania.
 - W przypadku zauważenia nietypowych wibracji należy natychmiast wyłączyć wentylator sufitowy i skontaktować się z producentem, przedstawicielem centrum serwisowego lub odpowiednio wykwalifikowaną osobą.
 - Wymiana części systemu bezpiecznego zawieszenia musi być przeprowadzona przez producenta, jego przedstawiciela serwisowego lub odpowiednio wykwalifikowaną osobę.
 - Montaż systemu bezpiecznego zawieszenia musi być przeprowadzona przez producenta, jego przedstawiciela serwisowego lub wykwalifikowaną osobę.
 - Aby zapewnić bezpieczeństwo dzieci, przechowuj materiały opakowaniowe (torby plastikowe, pudełka, styropian itp.) poza ich zasięgiem.
- WAŻNE: Wyłącz główny wyłącznik zasilania podczas montażu lub konserwacji urządzenia. Zaleca się odłączenie wyłącznika automatycznego przed zamontowaniem lub konserwacją wentylatora (zarówno wyłącznik główny, jak i wyłącznik wentylatora muszą być wyłączone).
- Nie używaj na zewnątrz. Produkt powinien być zamontowany w suchym miejscu, w którym nie będzie narażony na działanie wody lub wilgoci.
 - Nie podłączaj silnika wentylatora do ściemniacza. Może to spowodować nieprawidłowe działanie i uszkodzenie silnika.
 - Nie zaleca się, aby wentylatory sufitowe i urządzenia gazowe pracowały w tym samym pomieszczeniu w tym samym czasie.
 - Przed obróceniem kierunku obracania się łopatek wyłącz wentylator i poczekaj, aż się zatrzyma. Zapobiega to uszkodzeniu silnika wentylatora i sterownika.
 - Nie wkładaj żadnych przedmiotów między łopatkami wentylatora podczas ich obracania. Może to ich uszkodzić, zakłócić równowagę wentylatora i powodować wibracje.
 - Po zakończeniu montażu wentylatora upewnij się, że wszystkie elementy mocujące podstawy oraz łopatki wentylatora są bezpiecznie zamocowane i dokręcone, aby zapobiec problemom.

- Z czasem i ze względu na naturalny ruch wentylatora niektóre połączenia mogą się poluzować. Sprawdzaj tuleje, wsporniki i elementy mocujące łopatek dwa razy w roku, aby upewnić się, że są one bezpiecznie zamocowane. W razie poluzowania dokręć je.
- Korzystanie z urządzeń elektrycznych wymaga przestrzegania kilku podstawowych zasad, takich jak:
 - Nie dotykaj urządzenia mokrymi rękami lub nogami.
 - Urządzenie nigdy nie powinno być narażone na działanie warunków atmosferycznych (deszcz, promienie słoneczne itp.).
 - Urządzenia nie wolno używać w pobliżu potencjalnie wybuchowych lub łatwopalnych cieczy lub gazów.
- Ten produkt jest przeznaczony wyłącznie do użytku domowego, a nie do użytku przemysłowego lub zewnętrznego.
- Baterie należy przechowywać poza zasięgiem dzieci i zwierząt, ponieważ mogą spowodować obrażenia w przypadku połknięcia. W razie połknięcia baterii niezwłocznie zasięgnij porady lekarza.
- Jeśli zauważysz jakiegokolwiek widoczne oznaki uszkodzenia, pęknięcia lub pogorszenia, unikaj bezpośredniego kontaktu między bateriami a skórą, oczami lub błonami śluzowymi. Jeśli odsłonięte baterie wejdą w kontakt z oczami, natychmiast przemyj je dużą ilością wody. Natychmiast należy wezwać pomoc medyczną.
- Wyłącz zasilanie przed rozpoczęciem montażu.
- Źródło światła oprawy oświetleniowej nie jest wymienne; po osiągnięciu końca jego okresu użytkowania należy wymienić całą oprawę świetlniową.
- Montaż może wykonać wyłącznie wykwalifikowany elektryk.

[PL] WSTĘP I GWARANCJAD

Dziękujemy za wybór i zakup produktu V-TAC. V-TAC będzie Ci służył najlepiej. Proszę przeczytać tę instrukcję uważnie przed przystąpieniem do zainstalowania i zachować ją do użytku w przyszłości. Jeśli masz jakieś pytania, proszę skontaktować się z naszym Przedstawicielem lub z dystrybutorem, od którego kupiłeś produkt. Oni są przeszkoleni i gotowi udzielić Ci pomocy. Gwarancja ważna jest 2 lata od zakupu. Gwarancja nie obejmuje uszkodzeń wynikających z niewłaściwego zainstalowania lub nadzwyczajnego zużycia. Spółka nie ponosi odpowiedzialności za ewentualne szkody spowodowane na powierzchniach podczas instalacji lub deinstalacji. Łączny czas świecenia opraw w ciągu doby nie może przekroczyć 10-12 godzin, 24-godzinna eksploatacja produktu prowadzi do unieważnienia gwarancji. Gwarancja obejmuje jedynie wady powstałe z przyczyn tkwiących w produkcie.

CZĘŚCI I KOMPONENTY [rysunek 1]

1. Wspornik montażowy
2. Pręt nośny kula zawieszenia
3. Panel
4. Obudowa silnika wentylatora
5. Oprawa oświetleniowa
6. Szklany klosz
7. Łopatkki
8. Zestaw śrub, elementów mocujących wspornik (przewody, nakrętki, podkładki gumowe) i ustalacze

1. PRZED PIERWSZYM UŻYCIEM

Ostrożnie rozpakuj wentylator sufitowy, wyjmij wszystkie części i komponenty i umieść je na tkaninie lub innej miękkiej powierzchni, aby uniknąć ich uszkodzenia. Nie umieszczaj obudowy silnika na bok, aby uniknąć jej uszkodzenia. Przed rozpoczęciem montażu sprawdź, czy wszystkie części są obecne.

2. MONTAŻ PRODUKTU

OSTRZEŻENIE: Wszystkie operacje na okablowaniu elektrycznym należy wykonać po wyłączeniu zasilania poprzez usunięcie bezpieczników lub wyłączenie automatycznego wyłącznika, aby uniknąć ryzyka porażenia prądem.

KROKI PROCESU MONTAŻU WENTYLATORA:

2.1. MONTAŻ WSPORNIKA MONTAŻOWEGO

- Wspornik zawieszenia należy przykręcić do solidnej, równej powierzchni. Konstrukcja, na której zostanie on zamontowany, musi wytrzymać ciężar statyczny dziesięć razy większy niż sam wentylator. Podczas montowania wentylatora sufitowego na belce drewnianej dwa wkręty samogwintujące zawarte w dostawie powinny wystarczyć do zapewnienia podparcia wentylatora sufitowego. Dołączone podkładki należy zamontować w następującej kolejności: łeb śruby > podkładka okrągła > podkładka sprężysta > wspornik montażowy > sufit [rysunek 3].
- Przykręć wspornik montażowy do sufitu i upewnij się, że wszystkie połączenia są mocno dokręcone, aby zapobiec spadnięciu wentylatora. Poluzuj dwie śruby panelu na wsporniku montażowym [rysunek 4].

Wymagane narzędzia i materiały (brak w zestawie)
[rysunek 2]

9. Pilot zdalnego sterowania
10. Wkrętak
11. Płaski śrubokręt
12. Regulowane szczypce płaskie lub klucz mutrowy
13. Ruchoma drabina
14. Szczypce płaskie do cięcia drutu / przewodów
15. Taśma elektryczna (taśma izolacyjna)

UWAGA: Wkręty samogwintujące nadają się tylko do sufitów drewnianych. Podczas montowania wentylatora sufitowego na betonowych sufitach lub belkach, wywierć otwory wiertłem i użyj wkrętów mocujących lub rozprężnych (brak w zestawie).

2.2. MONTAŻ PRĘTA NOŚNEGO I KULI ZAWIESZAJĄCEJ

- Odkręć wkręt na kuli zawieszającej pręta nośnego, a następnie poluzuj kulę zawieszenia. Wyjmij sworzeń zabezpieczający z wnętrza pręta wsporczego i usuń kulę zawieszenia z drążka [rysunek 5].
- Wyjmij z pręta nośnego sworzeń łączący z zawleczką i klamrą w kształcie litery U. Jeśli wolisz użyć dłuższego pręta nośnego, zamontuj na nim kulę zawieszenia i przesunij do niej przewód uziemiający. Poprowadź przewody zasilania od góry silnika przez cały pręt nośny, aż wyjdą po drugiej jego stronie [rysunek 5].
- Włóż pręt nośny do otworu w obudowie silnika i obróć go w taki sposób, aby wyrównać otwory po obu jego stronach z otworami na pręcie nośnym [rysunek 6].
- Wsuń klamrę w kształcie litery U przez otwory w taki sposób, aby przeszła ona przez pręt nośny, uważając przy tym, aby nie uszkodzić przewodów. Przełóż klamrę w kształcie litery U przez sworzeń łączący z zawleczką i zabezpiecz ją jak najpewniej [rysunek 6].
- Dokręć wszystkie wkręty z zastrzeżeniem określonego przez producenta momentu obrotowego. Minimalizuje to ryzyko upadku pręta i wentylatora [rysunek 6].
- Jeśli wkręty nie zostaną dobrze dokręcone, może to doprowadzić do występowania wibracji silnika. To może być niebezpieczne [rysunek 7].
- Po wykonaniu powyższych kroków zamontuj kulę zawieszenia na pręcie nośnym, włóż sworzeń blokujący do pręta nośnego i podnieś kulę do góry. Następnie mocno dokręć wszystkie wkręty, aby upewnić się, że wszystkie elementy są w pełni i pewnie zamocowane [rysunek 7].

2.3. MONTAŻ WENTYLATORA NA WSPORNIKU MONTAŻOWYM I PRZYMOCOWANIE ŁOPATEK

- Podnieś wentylator do wspornika montażowego, połóż kulę zawieszenia do wspornika montażowego przez otwór i ostrożnie umieść ją [rysunek 7].
- Obróć kulę zawieszenia i dopasuj ucho klamry montażowej do szczeliny na kuli zawieszenia [rysunek 7].
- Po wyrównaniu tych ostatnich wentylator automatycznie przyjmuje prawidłowe położenie. Zapobiega się w ten sposób obracaniu się pręta i wentylatora podczas pracy [rysunek 7].

2.4. FUNKCJE ZDALNEGO STEROWANIA I INSTRUKCJE DOTYCZĄCE OKABLOWANIA WENTYLATORA

- Włóż odbiornik przez wspornik zawieszenia i podłącz przewody zgodnie z kodami kolorów [rysunek 8].
- Podłącz złącza przycisków wentylatora do pilota, jak pokazano poniżej:

SCHEMAT OKABLOWANIA [rysunek 9]

2.5. MONTAŻ ŁOPATEK

- Wykręć trzy wkręty i diody LED z oprawy oświetleniowej [rysunek 10].
- Włóż łopatkę przez boczne otwory w obudowie silnika i wyrównaj je z 3 otworami [rysunek 11].
- Zabezpiecz łopatkę 3 wkrętami i mocno dokręć wszystkie trzy wkręty na każdej z łopatek [rysunek 11].
- Nie dokręcaj wkrętów zbyt mocno, ponieważ może to uszkodzić łopatkę. Powtórz tę procedurę dla wszystkich łopatek [rysunek 11].

UWAGA: W przypadku zamontowania więcej niż jednego wentylatora należy uważać, aby nie wymieniać łopatek i wkrętów, różnych urządzeń, ponieważ każdy model jest wyposażony w odpowiednie wyłącznie dla niego materiały i części.

2.6. MONTAŻ OŚWIETLENIA LED I SZKLANEGO KLOSZA

- Podłącz przewody oprawy oświetleniowej LED do przewodów silnika wentylatora. Dopasuj otwory na wkręty w gnieździe do otworów na silniku i zabezpiecz części za pomocą dostarczonych w zestawie wkrętów [rysunek 12].
- Dokręć diody LED wkrętami wykręconymi uprzednio z oprawy oświetleniowej [rysunek 13].
- Ostrożnie zamontuj szklany klosz na głównym korpusie i obróć go zgodnie z kierunkiem wskazówek zegara, aby klosz zablokować [rysunek 14].

OSTRZEŻENIE: Nie dokręcaj wkrętów zbyt mocno podczas montażu szklanego klosza.

3. FUNKCJONOWANIE

Przełącznik kierunku obracania się na obudowie wentylatora reguluje przepływ powietrza:

- Tryb zimowy: przesunąć przełącznik w górę, aby łopatkę mogły rozprowadzać ciepłe powietrze wokół siebie pod sufitem.
- Tryb letni: Przesunąć przełącznik w dół, aby łopatkę mogły wytworzyć wietrzyk i poprawić cyrkulację powietrza.

OSTRZEŻENIE: Przed użyciem przełącznika kierunku obracania należy wyłączyć wentylator i poczekać, aż łopatkę zaprzestaną się kręcić, aby uniknąć potencjalnych obrażeń oraz uszkodzenia silnika. Zmień kierunek, przesuując przełącznik w górę lub w dół przy wyłączonym wentylatorze.

STEROWANIE ZDALNE

Użyj pilota do włączania i wyłączania wentylatora oraz do zmiany prędkości [rysunek 15].

- WŁĄCZANIE / WYŁĄCZANIE oprawy oświetleniowej
- Prędkość wentylatora
- H – najwyższa prędkość
- M – średnia prędkość
- L – najniższa prędkość
- Zatrzymanie wentylatora
- Czasomierz
- 1H - automatyczne wyłączenie wentylatora po 1 godzinie
- 2H - automatyczne wyłączenie wentylatora po 2 godzinach
- 4H - automatyczne wyłączenie wentylatora po 4 godzinach
- 8H - automatyczne wyłączenie wentylatora po 8 godzinach

WYMIANA BATERII

1. Aby wymienić baterie w pilocie zdalnego sterowania, naciśnij pokrywę gniazdka do baterii i przesunij ją w kierunku wskazywanym strzałką.
2. Do zdalnego sterowania wymagana jest 1 bateria typu A23, 12V.
3. Załóż ponownie pokrywę gniazdka do baterii.

OSTRZEŻENIE:

- Zawsze sprawdzaj, czy pokrywa gniazdka do baterii jest dobrze zamknięta.
- Nigdy nie narażaj pilota na działanie bezpośredniego światła słonecznego.
- Nie próbuj ładować rozładowanych baterii sposobem nagrzewania tych ani przy użyciu ładowarki do akumulatorów. Akumulatorki są zawsze oznaczone jako takie.
- Nie wrzucaj baterii do ognia, ponieważ może to spowodować wybuch.

4. CZYSZCZENIE I KONSERWACJA

1. Zawsze przed tym, jak rozpocząć czyszczenie urządzenia, odłączaj wentylator od zasilania i czekaj, aż łopatki zatrzymają się całkowicie.
2. Czyść zewnętrzną powierzchnię wentylatora miękką wilgotną ściereczką.

OSTRZEŻENIE:

- Przed rozpoczęciem naprawy upewnij się, że zasilanie sieciowe jest wyłączone za pomocą głównego bezpiecznika automatycznego albo wyłącznika automatycznego.
- Nie zanurzaj wentylatora w wodzie.
- Nigdy nie używaj do czyszczenia wentylatorametalowych gąbek, ściernych środków czyszczących ani chemikaliów.
- Okresowo czyść wentylator. Używaj tylko szmatki lub pędzla. Powierzchnie metalowe pokryte są lakierem, aby zapobiec przyciemnieniu / utracie połysku.
- Nie należy dopuszczać nawilżenia wnętrza produktu (zwłaszcza płytki drukowanej), ponieważ może to być bardzo niebezpieczne i spowodować uszkodzenie wentylatora.
- Gdy nie używasz produktu, odłącz go od źródła zasilania. Do przechowywania umieść go w oryginalnym pudełku i przechowuj w suchym i przewiewnym miejscu aż do następnego użycia go.

- W przypadku awarii lub wątpliwości na temat powstania takiej, nie próbuj samodzielnie naprawiać wentylatora, aby uniknąć ryzyka pożaru i porażenia prądem.

5. WYKRYWANIE I ROZWIĄZYWANIE PROBLEMÓW WENTYLATOR NIE DZIAŁA

1. Sprawdź wszystkie bezpieczniki topikowe i wyłączniki automatyczne.
2. Wyłącz zasilanie i sprawdź wszystkie połączenia kablowe.

WENTYLATOR DZIAŁA HAŁAŚLIWIE

1. Zawsze zostawiaj kilka dni na „dotrzenie” nowego wentylatora przy średnich lub wysokich prędkościach. Spróbuj zdiagnozować dokładną lokalizację hałasu, słuchając uważnie z kilku stron (łopatki, silnik, oprawa oświetleniowa bloku itp.). Hałas wentylatora może pochodzić z bloku oprawy oświetleniowej.
2. Upewnij się, że wszystkie wkręty zespołu wentylatora i bloku oprawy oświetleniowej są odpowiednio dokręcone i przymocowane. Jeśli okaże się, że nie są, wyłącz zasilanie i dokręć wkręty. Dokręć śruby co najmniej raz w roku, ponieważ mogą one powoli poluzować się z czasem i z tego powodu wytwarzać dudnienie.
3. Upewnij się, że blok oprawy oświetleniowej jest bezpiecznie przymocowany do wentylatora i że wszystkie wkręty szklanego klosza są dokręcane wyłącznie ręcznie. Nie dokręcaj tych ostatnich szczypcami płaskimi ani śrubokrętem.
4. Upewnij się, że wspornik montażowy jest mocno przymocowany do skrzynki przyłączeniowej.
5. Upewnij się, że nakrętki przewodów w obudowie przełączników oraz panelu nie dotykają ze sobą ani ze ścianą obudowy. W razie potrzeby owiń je taśmą izolacyjną.
6. Upewnij się, że panel nie dotyka sufitu.
7. Upewnij się, że wkręty mocujące utrwalające łopatki do silnika są dokręcone oraz że zastosowano przewidziane do tego celu pierścienie osadcze sprężynujące.

WENTYLATOR NIE WYTWARZA DUŻEGO PRZEPŁYWU POWIETRZA

1. Wentylator może pracować w przeciwnym kierunku, z powodu czego powietrze może być skierowane do góry.
2. W pomieszczeniu mogą znajdować się przedmioty, które utrudniają przepływ powietrza.
3. Wentylator może być za mały dla wielkości pomieszczenia.

WYBRACJE WENTYLATORA

UWAGA: Drobne drgania uważa się za dopuszczalne i nie należy ich postrzegać jako wadę.

1. Upewnij się, że wspornik montażowy jest bezpiecznie przymocowany do sufitu i się w ogóle nie porusza. W razie potrzeby dokręć wkręty.
2. Upewnij się, że wszystkie wkręty mocujące łopatki do wspornika łopatek i wspornik łopatek do silnika są dokręcone do końca. Upewnij się, że wkręty na bloku oprawy oświetleniowej i klosza są odpowiednio dokręcone.

INSTRUCȚIUNI IMPORTANTE PRIVIND SIGURANȚA

- Asigurați-vă că tensiunea de alimentare respectă puterea de pe placa de identificare a aparatului.
- Verificați în mod regulat cablul de alimentare pentru eventuale avarii vizibile. Dacă cablul este deteriorat, acesta trebuie înlocuit de un serviciu de asistență tehnică autorizat pentru a evita orice tip de pericol.

AVERTIZARE! Nu folosiți aparatul dacă cablul, ștecherul sau carcasa acestuia sunt deteriorate sau funcționează defecuos sau dacă produsul a fost scăpat sau deteriorat în vreun fel.

- Aparatul nu este destinat să fie utilizat de copii cu vârsta sub 8 ani. Poate fi folosit de copii cu vârsta de 8 ani sau mai mari, atât timp cât sunt sub supraveghere permanentă.
 - Acest aparat nu este destinat utilizării de către persoane cu dizabilități fizice, senzoriale sau mentale sau lipsă de experiență sau cunoștințe decât dacă sunt supravegheate sau instruite cu privire la utilizarea în siguranță a aparatului de către persoana responsabilă pentru siguranța lor și dacă înțeleg pericolele implicate.
 - Supravegheați copiii mici pentru a vă asigura că nu se joacă cu aparatul. Supravegherea atentă este necesară atunci când aparatul este utilizat de către sau lângă copii.
 - Nu lăsați aparatul și cablul de alimentare a acestuia la îndemâna copiilor sub 8 ani.
 - Nu încercați să reparați singur aparatul. Contactați un serviciu oficial de asistență tehnică pentru sfaturi.
 - Curățarea și întreținerea trebuie efectuate în conformitate cu aceste instrucțiuni de utilizare pentru a vă asigura că aparatul funcționează corect. Opriți și deconectați aparatul înainte de a-l curăța.
 - Nu așezați ventilatorul lângă perdele sau obiecte care pot fi aspirate în ventilator.
 - Distanța minimă dintre palele ventilatorului și podea trebuie să fie de 2,3 m. Capacitatea minimă de transport a cutiei de ieșire pe care este montat ventilatorul trebuie să fie de 45 kg.
 - Nu folosiți aparatul în spații închise cu vapori explozivi sau toxici.
 - Acest aparat poate fi utilizat de copii cu vârsta peste 8 ani și mai mari și de persoane cu dizabilități fizice, senzoriale sau intelectuale sau lipsă de experiență sau cunoștințe, cu condiția ca acestea să fie supravegheate sau instruite cu privire la utilizarea în siguranță a aparatului și înțeleg pericolele implicate. Copiii trebuie supravegheați pentru a nu se juca cu aparatul. Curățarea și întreținerea nu trebuie făcute de copii fără supraveghere.
 - Asigurați-vă că instalați un deconector la toți poli de pe cablurile de alimentare ale ventilatorului de tavan cu o distanță minimă între poli de 3 mm.
 - Asigurați-vă că poziția de montare împiedică contactul dintre lamele rotative și orice obiect și că există o distanță
-

minimă de 150 mm (6") de la vârfurile paletelor până la perete sau tavan. Rețineți că, cu cât este mai mare distanța, cu atât fluxul de aer generat de ventilator este mai mare.

- Opriiți sursa de alimentare înainte de a conecta sau repara ventilatorul.
- Cablarea electrică trebuie să respecte reglementările locale.
- Ventilatorul trebuie să fie împământat corespunzător pentru a evita riscul de electrocutare. Nu instalați niciodată aparatul într-o încăpere cu apă sau umedă. Aveți grijă când lucrați lângă lamele rotative.
- Acest aparat trebuie instalat în conformitate cu reglementările naționale pentru instalarea electrică.
- Înainte de a scoate siguranța, asigurați-vă că ventilatorul este deconectat din rețeaua de alimentare electrică.
- Dacă observați vibrații neobișnuite, opriți imediat ventilatorul de tavan și contactați producătorul, reprezentantul serviciului sau o persoană calificată corespunzător.
- Înlocuirea pieselor sistemului de suspensie în siguranță trebuie efectuată de producător, agentul de service sau de persoane calificate corespunzător.
- Montarea sistemului de suspendare trebuie să fie efectuată de producător, reprezentantul său de servicii sau de o persoană calificată corespunzător.
- Pentru a asigura siguranța copiilor dvs., păstrați materialele de ambalare (pungi de plastic, cutii, polistiren etc.) la îndemâna lor.

IMPORTANT: Deconectați întrerupătorul principal în timpul instalării sau întreținerii. Este recomandabil să deconectați ștecherul întrerupătorului automat înainte de ventilator (atât întrerupătorul cât și întrerupătorul ventilatorului trebuie să fie opriți).

- Nu folosiți aparatul în aer liber. Produsul trebuie instalat într-un loc uscat unde nu va fi expus la apă sau umezeală.
 - Nu conectați motorul ventilatorului la un variator. Acest lucru poate da o performanță nesatisfăcătoare și cauza daune motorului.
 - Nu este recomandat ca ventilatoarele de tavan și aparatele emitoare de gaz să funcționeze în aceeași cameră, în același timp.
 - Ventilatorul trebuie să fie oprit și trebuie să se oprească complet rotirea paletelor înainte de inversarea sensului ventilatorului. Acest lucru va preveni orice deteriorare a motorului ventilatorului sau controller-ului.
 - Nu introduceți nimic în paletele ventilatorului în timp ce acestea se rotesc. Acest lucru va deteriora lamele și echilibrul ventilatorului și va face lustra să se miște.
-

- După instalarea ventilatorului asigurați-vă că toate dispozitivele de prindere a ventilatorului sunt fixate și strânse, pentru a preveni orice probleme.
- Datorită mișcării naturale a ventilatorului, unele conexiuni se pot slăbi. Verificați conexiunile de sprijin și șuruburile de două ori pe an pentru a vă asigura că rămân fixate. Trebuie să le străngeți dacă este cazul.
- Utilizarea aparatelor necesită respectarea unor reguli de bază, cum ar fi:
 - Nu atingeți aparatul cu mâinile sau picioarele ude.
 - Nu expuneți niciodată aparatul la intemperii atmosferice (ploaie, soare etc.).
 - Aparatul nu trebuie utilizat lângă lichide sau gaze potențial explozive sau inflamabile.
- Acest produs este destinat numai pentru uz casnic și nu pentru uz industrial sau extern.
- Nu lăsați bateriile la îndemâna copiilor și animalelor, deoarece acestea pot provoca răni în caz de înghițire. În caz de înghițire, consultați imediat medicul.
- Dacă observați semne vizibile de deteriorare, rupere sau, deteriorarea proprietăților, evitați contactul direct între baterii și piele, ochi sau mucoase. Dacă bateriile expuse vin în contact cu ochii, clătiți imediat cu multă apă. Căutați imediat asistență medicală.
- Înainte de a începe instalarea, opriți alimentarea electrică.
- Sursa de lumină a acestui corp de iluminat nu poate fi înlocuit; când ajunge la sfârșitul duratei de funcționare, întregul corp de iluminat trebuie înlocuit.
- Instalarea trebuie efectuată numai de un electrician certificat.

[RO] INTRODUCERE, GARANȚIA

Vă mulțumim că ați ales și v-ați cumpărat acest produs de V-TAC. V-TAC vă va fi de un mare folos, utilizându-l în modul cel mai potrivit posibil. Vă rugăm să citiți aceste instrucțiuni cu atenție, înainte să începeți instalarea, și păstrați-le pentru că s-ar putea să fie necesar să le recitiți. Dacă aveți și alte întrebări, luați legătură cu dealer-ul nostru sau cu comerciantul de la care v-ați achiziționat produsul. Aceștia sunt bine instruiți și întotdeauna sunt disponibili să vă servească în modul cel mai bun posibil. Garanția este valabilă pe un termen de 2 ani din data achiziționării produsului. Garanția însă nu se aplică cu privire la daunele cauzate de instalare incorectă sau care rezultă din uzură anormală de utilizare. Societatea nu acordă garanție pentru daune produse pe suprafețe, indiferent de tipul acestora, care se datorează îndepărtării sau montării incorecte a produsului. Aceste produse sunt potrivite pentru exploatare continuă timp de 10-12 ore pe zi. Exploatarea produsului timp de 24 de ore fără întrerupere, poate duce la pierderea garanției. Pentru acest produs, garanția se acordă numai pentru defecte de fabricație.

PIESE ȘI COMPONENTE [FIG 1]

1. Suport de montare
2. Bara de suspendare și capac
3. Panou
4. Carpul motorului ventilatorului
5. Corp de iluminat
6. Abajur din sticlă
7. Lame
8. Set de șuruburi, piese de fixare a suportului (fire, piulițe, șaibe de cauciuc) și elemente de fixare

1. ÎNAINTE DE UTILIZARE

Despachetați ventilatorul cu atenție, apoi scoateți toate piesele și componentele și așezați-le pe o suprafață moale sau pe o cârpă pentru a evita deteriorarea. Nu puneți carcasa motorului pe o parte - se poate deteriora. Înainte de a începe instalarea, verificați dacă toate piesele sunt incluse.

2. ASAMBLAREA PRODUSULUI

AVERTIZARE! Toate operațiunile de instalare electrice trebuie să fie efectuate după oprirea alimentării prin scoaterea siguranțelor sau deconectarea acestora de la întrerupătorul pentru a evita riscul de electrocutare.

ETAPE DE ASAMBLARE:

2.1. FIXAREA SUPORTULUI DE MONTARE

- Suportul de montare trebuie înșurubat la o suprafață solidă și plană. Structura pe care va fi montat trebuie să reziste la o greutate statică de zece ori mai mare decât a ventilatorului. La instalare a ventilatorului de tavan pe o grindă de lemn, cele două șuruburi autofiletante incluse în pachet ar trebui să fie suficiente pentru a oferi suport ventilatorului de tavan. Șaibe incluse se pun în următoarea ordine: cap șurub > șaibă rotundă > șaibă cu arc > suport de montare > tavan [FIG 3].

- Înșurubați suportul de montare la tavan și asigurați-vă că toate conexiunile sunt strânse în siguranță pentru a preveni căderea ventilatorului. Desfaceți cele două șuruburi de panou de pe suportul de montare [FIG 3].

NOTA: Șuruburile autofiletante sunt potrivite numai pentru tavanele din lemn. Când instalați ventilatorul de tavan pe tavane sau grinzi din beton, găuriți găuri cu un burghiu și folosiți șuruburi de fixare sau de expansiune (nu sunt incluse în pachet).

Instrumente și materiale necesare (nu sunt incluse) [FIG 2]

9. Telecomandă
10. Surubelniță
11. Șurubelniță plană
12. Clește sau cheie reglabilă
13. Scară mobilă
14. Clește de tăiere sârmă/fir
15. Banda electrică (bandă izolatoare)

2.2. INSTALAREA BAREI DE SUSPENDARE ȘI A CAPACULUI

- Desfaceți șurubul de pe capacul de pe bara de suspendare, apoi slăbiți capacul. Scoateți știftul de blocare din interiorul barei de suspendare și îndepărtați capacul de pe bara [FIG 4].
- Îndepărtați știftul de legătură cu știftul și agrafa U de pe bara de suspendare. Dacă preferați să folosiți o bară de suspendare mai lungă, montați capacul pe ea și mutați conductorul de împământare pe ea. Rulați ieșirile de alimentare prin partea superioară a motorului prin bara de suspendare până ies pe partea cealaltă [FIG 4].
- Introduceți bara de suspendare în deschiderea carcasei motorului și rotiți-o pentru a alinia deschiderile de pe ambele părți cu deschiderile de pe bara de suspendare [FIG 5].
- Glisați suportul în formă de U prin orificii, astfel încât suportul în formă de U să treacă prin bara de suspendare, având grijă să nu deterioreze firele. Înfășurați clema în U prin știftul de fixare, astfel încât să fie bine fixat [FIG 5].
- Strângeți toate șuruburile la cuplul specificat. Acest lucru reduce la minimum riscul de cădere a barei și a ventilatorului [FIG 5].
- Dacă șuruburile nu sunt strânse corespunzător, motorul ar putea oscila. Acest lucru poate fi periculos [FIG 6].
- După finalizarea etapelor de mai sus, montați capacul pe bara de suspendare, introduceți știftul de blocare în bara de suspendare și ridicați capacul. Strângeți apoi toate șuruburile pentru a vă asigura că toate elementele sunt fixate complet și sigur [FIG 6].

2.3. FIXAREA VENILATORULUI PE SUPORTUL DE MONTARE ȘI MONTAREA PALETELOR

- Ridicați ventilatorul pe suportul de montare, introduceți capacul de fixare pe suportului de montare prin deschidere și așezați-l ușor [FIG 7].
- Rotiți sfera și aliniați urechea suportului de montare cu fanta capacului de suspendare [FIG 7].
- Odată aliniat, ventilatorul ia automat poziția corectă. Aceasta împiedică rotirea barei și ventilatorului în timpul funcționării [FIG 7].

2.4. TELECOMANDA ȘI INSTRUCȚINI DE CABLARE

- Introduceți receptorul prin suportul de suspensie și conectați firele urmând codurile de culoare [FIG 8].
- Conectați conectorii butonului de la ventilator la telecomandă, așa cum se arată mai jos:

SCHEMA ELECTRICĂ [FIG 9]

2.5. ASAMBLAREA LAMELOR

- Scoateți cele trei șuruburi și leduri de pe iluminator [FIG 10].
- Introduceți lamele prin fante laterale ale carcasei motorului și aliniați-le cu 3 găuri [FIG 11].

- Fixați lamele cu 3 șuruburi și strângeți bine cele trei șuruburi ale lamelor [FIG 11].
- Nu strângeți prea tare șuruburile, deoarece acest lucru poate deteriora lamele. Repetați această procedură pentru toate lamele [FIG 11].

NOTA: Dacă instalați mai mult de un ventilator, aveți grijă să nu înlocuiți lamele și șuruburile, deoarece fiecare model este echipat cu materiale și piese specifice.

2.6. INSTALAREA CORPULUI LED DE ILUMINAT ȘI A ABAJURULUI DE STICLĂ

- Conectați firele iluminatorului LED la cele ale motorului ventilatorului. Aliniați orificiile șuruburilor din priză cu cele ale motorului și atașați piesele cu ajutorul șuruburilor furnizate [FIG 12].
- Strângeți LED-urile cu șuruburile pe care le-ați scos din corpul de iluminat [FIG 13].
- Montați cu atenție abajurul de sticlă pe corpul principal și rotiți-l în sens orar pentru a-l bloca [FIG 14].

AVERTIZARE! Nu strângeți tare șuruburile atunci când instalați abajurul de sticlă.

3. OPERARE

Comutatorul de direcție de pe corpul ventilatorului reglează fluxul de aer:

- Mod de iarnă: În timpul iernii acest comutator trebuie inversat pentru a împinge aerul curat în sus.
- Mod de vară: În timpul verii acest comutator trebuie să fie în jos pentru a împinge aerul curat în jos

AVERTIZARE! Înainte de a utiliza comutatorul de direcție, opriți ventilatorul și așteptați ca acesta să nu se mai rotească, pentru a evita potențialele răni și deteriorarea motorului. Schimbați direcția mutând comutatorul în sus sau în jos cu ventilatorul oprit.

TELECOMANDĂ

Utilizați telecomanda pentru a porni și opri ventilatorul și pentru a schimba viteza [FIG 15].

- PORNIRE/OPRIRE corp de iluminat
 - Viteza ventilatorului
 - H - viteză maximă
 - M - viteză medie
 - L - viteză cea mai mică
 - Oprirea ventilatorului
-

- Timer ...
- 1H - oprire automată a ventilatorului după 1 oră
- 2H - oprire automată a ventilatorului după 2 ore
- 4H - oprire automată a ventilatorului după 4 ore
- 8H - oprire automată a ventilatorului după 8 ore

ÎNLOCUIREA BATERIILOR

1. Pentru a înlocui bateriile telecomenzii, apăsați capacul compartimentului bateriei și glisați-l în direcția săgeții.
2. Telecomanda necesită 1 baterie A23 12V.
3. Puneți din nou capacul compartimentului bateriei.

AVERTIZARE!

- Asigurați-vă întotdeauna capacul compartimentului bateriei este închis corect.
- Nu lăsați niciodată telecomanda direct expusă luminii solare.
- Nu încercați să reîncărcați bateriile descărcate încălzindu-le sau folosind un încărcător de baterii. Bateriile reîncărcabile sunt întotdeauna marcate ca atare.
- Nu aruncați bateriile în foc, deoarece acest lucru poate provoca explozie.

4. CURĂȚARE ȘI ÎNTREȚINERE

1. Deconectați întotdeauna ventilatorul de la sursa de alimentare și lăsați-l să se oprească înainte de a-l curăța.
2. Curățați suprafața exterioară cu o cârpă moale umedă.

AVERTIZARE!

- Asigurați-vă că alimentarea este oprită la siguranța principală sau panoul circuitului înainte de a încerca orice reparații.
- Nu scufundați ventilatorul în apă.
- Nu folosiți niciodată bureți metalici, produse de curățat abrazive sau substanțe chimice.
- Curățați ventilatorul periodic. Folosiți doar o cârpă sau perie. Suprafețele metalice sunt acoperite cu lac pentru a preveni întunecarea/pierderea luciului.
- Nu permiteți ca produsele din interiorul pieselor să se ude (mai ales placa de circuit), acest lucru ar putea fi foarte periculos și deteriorează ventilatorul.
- Când nu folosiți produsul, deconectați-l de la sursa de alimentare. Pentru a-l păstra, așezați-l în cutia originală și păstrați-l într-un loc ventilat și uscat până la utilizarea ulterioară.
- În cazul unei defecțiuni sau dacă aveți îndoieli, nu încercați să reparați singur ventilatorul pentru a evita riscul de incendiu sau electrocutare.

5. DEPISTAREA DEFECTIUNILOR ȘI DEPANARE

VENTILATORUL NU PORNEȘTE

1. Verificați toate siguranțele sau întreruptoarele.
2. Opriiți alimentarea și verificați toate conexiunile de cablu.

APARATUL FUNCȚIONEAZĂ ZGOMOTOS

1. Lăsați întotdeauna câteva zile pentru „dezvoltarea” noului ventilator la viteză medie sau mare. Încercați să diagnosticați locația exactă a zgomotului ascultând cu atenție din mai multe părți (lame, motor, bloc de iluminat etc.). Zgomotul la ventilator poate provine de la unitatea de iluminat.
2. Asigurați-vă că toate șuruburile blocului ventilatorului și a blocului de iluminat sunt înșurubate și strânse corespunzător. Dacă nu, opriiți alimentarea și strângeți șuruburile. Strângeți șuruburile cel puțin o dată pe an, deoarece se pot desface încet în timp și pot produce zgomot.
3. Asigurați-vă că blocul corpului de iluminat este bine fixat pe ventilator și că toate șuruburile lămpii de sticlă sunt strânse doar cu mână. Nu le strângeți cu un clește sau o șurubelniță.
4. Asigurați-vă că suportul de montare este bine fixat pe cutia de joncțiune.
5. Asigurați-vă că piulițele cablului din carcasa comutatorului sau panoul nu se lovesc reciproc sau în peretele carcasei. Dacă este necesar, înfășurați-le cu bandă izolatoare.
6. Asigurați-vă că panoul nu atinge tavanul.
7. Asigurați-vă că șuruburile care fixează elementele de fixare a lamei la motor sunt strânse și că sunt utilizate inelele de blocare.

VENTILATORUL NU GENEREAZĂ UN FLUX MARE DE AER

1. Este posibil ca ventilatorul să funcționeze invers, deci aerul este îndreptat în sus.
2. Camera poate conține obiecte care obstrucționează fluxul de aer.
3. Este posibil că ventilatorul este prea mic pentru dimensiunea camerei.

VENTILATORUL VIBREAZĂ

NOTA: Vibrațiile minore sunt considerate acceptabile și nu ar trebui considerate un defect.

1. Asigurați-vă că suportul de montare este bine fixat la tavan și nu se mișcă deloc. Dacă este necesar, strângeți șuruburile.
 2. Asigurați-vă că toate șuruburile care fixează lamele la suportul lamelor și suportul lamelor la motor sunt strânse. Asigurați-vă că șuruburile blocului de iluminat și abajurul de sticlă sunt strânse.
-

BEZPEČNOSTNÍ UPOZORNĚNÍ

- Ujistěte se, že napájecí napětí odpovídá jmenovitému výkonu na typovém štítku spotřebiče.
- Pravidelně kontrolujte přívodní kabel, zda není viditelně poškozen. Dojde-li k poškození napájecího kabelu, musí být ihned vyměněn autorizovaným servisem, aby nedošlo k jakémukoli druhu nebezpečí.

VAROVÁNÍ: Nepoužívejte spotřebič, pokud je poškozen jeho kabel, zástrčka nebo kryt, ani poté, co nefungoval správně, nebo spadl a byl jakýmkoli způsobem poškozen.

- Spotřebič není určen k použití dětmi mladšími 8 let. Může být používán dětmi ve věku 8 let nebo staršími, pokud jsou pod trvalým dohledem.
- Tento spotřebič není určen k použití osobami s fyzickým, smyslovým či duševním postižením nebo bez patřičných zkušeností a znalostí, ledaže by osoba odpovědná za jejich bezpečnost byla pod dohledem nebo poučením o používání spotřebiče a pokud rozumějí rizikům, která s používáním spotřebiče souvisejí.
- Malé děti by měly být pod dohledem, aby se zajistilo, že si se zařízením nebudou hrát. Je-li spotřebič používán dětmi nebo v jejich blízkosti, je nutná přísná kontrola.
- Uchovávejte spotřebič a jeho napájecí kabel mimo dosah dětí mladších 8 let.
- Nepokoušejte se opravovat spotřebič sami. Požádejte o radu oficiální technickou podporu. Požádejte o radu autorizovanou technickou podporu.
- Čištění a údržba musí být prováděna v souladu s tímto návodem k obsluze, aby byla zajištěna správná funkce spotřebiče. Před čištěním odpojte spotřebič a vytáhněte přívodní kabel.
- Ujistěte se, že ventilátor není umístěn v blízkosti závěsů, záclon nebo jiných předmětů, které by mohly být do ventilátoru vtaženy.
- Minimální vzdálenost mezi lopatkami ventilátoru a podlahou by měla být 2,3 m. Minimální nosnost výstupní krabice, na které je ventilátor namontován, musí být 45 kg.
- Nepoužívejte spotřebič ve stísněných prostorách s výbušnými nebo toxickými výpary.
- Děti starší 8 let a osoby s fyzickým, smyslovým či duševním postižením nebo bez patřičných zkušeností a znalostí mohou tento spotřebič používat pouze pod dohledem nebo tehdy, pokud obdržely informace o bezpečném použití spotřebiče a pokud rozumějí rizikům, která s používáním spotřebiče souvisejí. Nedovolte dětem, aby si se spotřebičem hrály. Nedovolte dětem, aby bez dohledu prováděly čištění a běžnou údržbu spotřebiče.

- Nezapomeňte nainstalovat odpojovač na všechny póly na napájecích kabelech stropního ventilátoru s minimální vzdáleností pólu 3 mm.
- Ujistěte se, že montážní poloha neumožňuje kontakt mezi rotujícími lopatkami a jakýmkoli předmětem a že je minimální vzdálenost 150 mm (6 ") od špiček lopatek ke stěně nebo stropu. Všimněte si, že čím větší je vzdálenost, tím větší je průtok vzduchu generovaný ventilátorem.
- Před připojením nebo opravou ventilátoru vypněte napájení.
- Elektrické zapojení musí odpovídat místním předpisům.
- Aby nedošlo k úrazu elektrickým proudem, musí být ventilátor řádně uzemněn. Nikdy nemontujte ventilátor do vlhké nebo mokré místnosti. Při práci v blízkosti rotujících lopatek buďte opatrní.
- Tento spotřebič musí být nainstalován v souladu se státními předpisy pro elektrickou instalaci.
- Pokud si všimnete neobvyklých vibrací, okamžitě vypněte stropní ventilátor a kontaktujte výrobce, jeho servisního zástupce nebo příslušně kvalifikovanou osobu.
- Výměna částí systému odpružení musí být provedena výrobcem, jeho servisním zástupcem nebo vhodně kvalifikovanou osobou.
- Montáž systému odpružení musí být provedena výrobcem, jeho servisním zástupcem nebo vhodně kvalifikovanou osobou.
- Pro zajištění bezpečnosti dětí uchovávejte obaly (plastové sáčky, krabice, polystyren atd.) mimo jejich dosah.

DŮLEŽITÉ: Během instalace nebo údržby vypněte hlavní vypínač. Doporučujeme odpojit jistič před ventilátorem (jistič i spínač ventilátoru musí být vypnuty).

- Nepoužívejte venku. Výrobek by měl být instalován na suchém místě, kde nebude vystaven vodě nebo vlhkosti.
- Nepřipojujte motor ventilátoru k vypínači stmívače. Může to způsobit poruchu a poškození motoru.
- Nedoporučuje se, aby stropní ventilátory a plynové spotřebiče pracovaly ve stejné místnosti současně.
- Před změnou směru lopatek vypněte ventilátor a vyčkejte, až se zastaví. Tím se zabrání poškození motoru ventilátoru a kontroleru.
- Během otáčení nevkládejte mezi lopatky ventilátoru žádné předměty. To by je mohlo poškodit, narušit rovnováhu ventilátoru a způsobit vibrace.

- Po dokončení instalace ventilátoru se ujistěte, že všechny držáky základny a lopatky ventilátoru jsou bezpečně upevněny a utaženy, aby se předešlo problémům.
- V důsledku přirozeného pohybu ventilátoru se mohou některá spojení uvolnit. Dvakrát ročně zkontrolujte pouzdra, podpěry a držáky lopatek, zda jsou bezpečně upevněny. Pokud jsou povolené, dotáhněte je.
- Používání spotřebičů vyžaduje dodržování některých základních pravidel, například:
 - Nedotýkejte se spotřebiče mokřýma rukama nebo nohama.
 - Spotřebič nesmí být nikdy vystaven povětrnostním vlivům (déšť, slunce atd.).
 - Spotřebič nesmí být používán v blízkosti výbušných nebo hořlavých kapalin nebo plynů.
- Tento produkt je určen pouze pro domácí použití a ne pro průmyslové nebo externí použití.
- Baterie uchovávejte mimo dosah dětí a zvířat, mohly by při požití způsobit zranění. Při požití okamžitě vyhledejte lékařskou pomoc
- Pokud si všimnete jakýchkoli viditelných známek poškození, děr nebo zhoršení vyvarujte se přímého kontaktu mezi bateriemi a pokožkou, očima nebo sliznicemi. Pokud baterie vytékají a dostanou se do kontaktu s očima, okamžitě je vypláchněte velkým množstvím vody. Ihned vyhledejte lékařskou pomoc.
- Před zahájením instalace vypněte napájení.
- Světelný zdroj tohoto svítidla nelze vyměnit, jakmile světelný zdroj dosáhne svého konce životnosti, mělo by se vyměnit celé svítidlo.
- Instalaci smí provádět pouze kvalifikovaný elektrikář.

[CZ] ÚVOD A ZÁRUKA

Děkujeme, že jste si vybrali a koupili výrobek firmy V-TEK (V-TAC). V-TEK (V-TAC) vám nabízí ty nejlepší výrobky. Před zahájením instalace si prosím pečlivě přečtěte tyto pokyny a uschovejte si tento návod pro budoucí použití. Pokud máte další dotazy, obraťte se na našeho prodejce nebo místního obchodního zástupce, od kterého jste výrobek zakoupili. Oni jsou vyškoleni a jsou vám k dispozici pro všechny vaše potřeby. Záruka je platná po dobu 2 let od data zakoupení. Záruka se nevztahuje na škody způsobené nesprávnou instalací nebo atypickým opotřebením. Společnost neposkytuje záruku na poškození na jakémkoli povrchu kvůli neodbornému odstranění a instalaci výrobku. Výrobky jsou vhodné pro 10-12 hodin každodenní využití. Používání výrobku během 24 hodin denně ruší platnost záruky. Výrobek má záruku pouze pro výrobní vady.

DÍLY A SOUČÁSTKY [Obr 1]

1. Montážní držák
2. Opěrná tyč a zavěsná koule
3. Panel
4. Tělo ventilátoru
5. Svítidlo
6. Skleněné stínidlo
7. Lopatky
8. Sada šroubů, montážních dílů držáku (vodič, matice, gumové podložky) a pouzdra

Potřebné nářadí a materiály (nejsou součástí dodávky) [Obr 1]

9. Dálkové ovládání
10. Šroubovák
11. Plochý šroubovák
12. Nastavitelné kleště nebo klíč
13. Pohyblivý žebřík
14. Kleště na stříhání vodiču / drátu
15. Elektroizolační páska

1. PŘED POUŽITÍM

Opatrně rozbalte stropní ventilátor, odstraňte všechny části a součásti a položte je na hadřík nebo jiný měkký povrch, aby nedošlo k jejich poškození. Neumisťujte kryt motoru na jednu stranu, aby nedošlo k jeho poškození. Před zahájením instalace zkontrolujte, zda jsou k dispozici všechny součásti.

2. MONTÁŽ VÝROBKU

VAROVÁNÍ: Všechny elektroinstalační operace musí být provedeny po vypnutí napájení odstraněním pojistek nebo vypnutím jističe, aby nedošlo k úrazu elektrickým proudem.

MONTÁŽNÍ KROKY:

2.1. INSTALACE MONTÁŽNÍHO DRŽÁKU

- Montážní držák musí být přišroubován k pevnému rovnému povrchu. Konstrukce, na kterou je nainstalován, musí odolat statickou hmotnost desetkrát vyšší než je hmotnost ventilátoru. V případě instalace stropního ventilátoru do trámu by měly stačit 2 samořezné šrouby které jsou součástí dodávky, dostatečné pro zajištění podpory stropního ventilátoru. Přiložené podložky musí být umístěny v následujícím pořadí: hlava šroubu> kulatá podložka> pružná podložka> montážní držák> strop [Obr 3].

- Přišroubovejte montážní držák ke stropu a ujistěte se, že všechna připojení jsou pevně dotažena, aby nedošlo k pádu ventilátoru. Povolte dva šrouby na montážním držáku [Obr 3].

POZNÁMKA: Samořezné šrouby jsou vhodné pouze pro dřevěné stropy. Při instalaci stropního ventilátoru na betonové stropy nebo trámy vyvrtejte otvory vrtákem a použijte upevňovací nebo rozpínací šrouby (nejsou součástí dodávky).

2.2. INSTALACE OPĚRNÉ TYČE A ZÁVĚSNÉ KOULE

- Odšroubujte šroub na závěsné kouli opěrné tyče a uvolněte závěsnou kouli. Odstraňte zarážkový kolík z opěrné tyče a odstraňte závěsnou kouli z tyče [Obr 4].
- Odstraňte spojovací kolík a U-sponou z opěrné tyče. Pokud dáváte přednost použití delší nosné tyče, namontujte na ni závěsnou kouli a na ni přesuňte uzemňovací vodič. Napájecí vývody spouštějte z horní části motoru po celé tyči, dokud nevystoupí na druhou stranu [Obr 4].
- Vložte nosnou tyč do otvoru v krytu motoru a otočte ji tak, aby byly otvory na obou stranách zarovnaný s otvory na nosné tyči [Obr 5].
- Posuňte U-sponu skrz otvory tak, aby držák ve tvaru písmene U prošel nosnou tyčí, přičemž dbejte na to, aby nedošlo k poškození vodičů. U-sponu protáhněte spojovacím kolíkem a zajistěte jej [Obr 5].
- Utáhněte všechny šrouby při předepsaném utahovacím momentu. Tím se minimalizuje riziko pádu tyče a ventilátoru [Obr 5].
- Pokud nejsou šrouby pevně utaženy, může dojít k vibracím motoru. To může být nebezpečné [Obr 6].
- Po dokončení výše uvedených kroků namontujte závěsnou kouli na nosnou tyč, vložte pojistný kolík do nosné tyče a zvedněte kouli. Poté pevně utáhněte všechny šrouby, abyste se ujistili, že všechny prvky jsou plně a bezpečně upevněny [Obr 6].

2.3. ZÁVĚŠENÍ VENTILÁTORU K MONTÁŽNÍMU DRŽÁKU A PŘIPOJENÍ LOPATEK

- Zvedněte ventilátor až k montážnímu držáku, zasuněte závěsnou kouli do montážního držáku skrz otvor a opatrně ji položte [Obr 7].
- Otočte kouli a ujistěte se, že je ucho montážního držáku zarovnané se štěrbinou zavěšené koule [Obr 7].
- Po vyrovnání zaujme ventilátor automaticky svou správnou polohu. Tím se zabrání otáčení tyče a ventilátoru během provozu [Obr 7].

2.4. DÁLKOVÉ OVLÁDÁNÍ A NÁVOD NA PŘIPOJENÍ

- Umístěte přijímač přes závěsný držák a připojte vodiče podle jejich barevných kódů [Obr 8].
- Připojte tlačné konektory z ventilátoru k dálkovému ovládní, jak je uvedeno níže:

ELEKTRICKÉ SCHÉMA [Obr 9]

2.5. MONTÁŽ LOPATEK

- Vyjměte 3 šrouby a LED diodů ze svítidla [Obr 10].
- Vložte lopatky skrz boční štěrbinu krytu motoru a vyrovnejte je se 3 otvory [Obr 11].
- Zajistěte lopatky pomocí 3 šroubů a řádně je dotáhněte [Obr 11].

- Šrouby příliš neutahujte, protože by mohlo dojít k poškození lopatek. Tento postup opakujte pro všechny lopatky [Obr 11].

POZNÁMKA: Pokud instalujete více než jeden ventilátor, buďte opatrní, abyste nevyměnili lopatky a šrouby, protože je každý model navržen se specifickými materiály a součástmi.

2.6. INSTALACE LED SVÍTIDLA A SKLENĚNÉHO STÍNIDLA

- Připojte vodiče LED svítidla k vodičům motoru ventilátoru. Vyrovnajte otvory pro šrouby objímky s otvory na motoru a připojte části pomocí dodaných šroubů [Obr 12].
 - Odšroubované šrouby upevňující lampu utáhněte LED [Obr 13].
 - Opatrně nainstalujte skleněný stín do hlavního těla a otočením ve směru hodinových ručiček jej zajistěte [Obr 14].
- VAROVÁNÍ:** Při instalaci skleněného stínidla neutahujte příliš šrouby.

3. FUNKCE

Přepínač směru ventilátoru reguluje průtok vzduchu:

- Zimní režim: stiskem přepínače NAHORU se lopatky pohybují teplým vzduchem poblíž stropu.
- Letní režim: stisknutím spínače DOLŮ vytvoříte vítr a zlepšíte cirkulaci vzduchu.

VAROVÁNÍ: Před použitím směrového spínače vypněte ventilátor a počkejte, až se zastaví, aby nedošlo k úrazu a poškození motoru. Změňte směr pohybem spínače nahoru nebo dolů za vypnutý ventilátor.

DÁLKOVÉ OVLÁDÁNÍ

Pomocí dálkového ovladače zapněte a vypněte ventilátor a změňte rychlost [Obr 15].

- ZAPNUTÍ / VYPNUTÍ svítidla
- Rychlost ventilátoru
- H - nejvyšší rychlost
- M – střední rychlost
- L - nejnižší rychlost
- Zastavení ventilátoru

- Časovač ...
- 1H automatické vypnutí ventilátoru po 1 hodině
- 2H automatické vypnutí ventilátoru po 2 hodinách
- 4H automatické vypnutí ventilátoru po 4 hodinách
- 8H automatické vypnutí ventilátoru po 8 hodinách

VYMĚNA BATERIE

1. Chcete-li vyměnit baterie dálkového ovladače, stiskněte kryt prostoru pro baterie a posuňte ji ve směru šipky.
2. K dálkovému ovládání je nutná 1 A23 12V baterie.
3. Nasaďte kryt prostoru pro baterie.

VAROVÁNÍ:

- Vždy zkontrolujte, zda je kryt prostoru pro baterie bezpečně uzavřen.
- Nikdy nenechávejte dálkový ovladač na přímém slunečním světle.
- Nepokoušejte se dobít vybité baterie zahřátím nebo použitím nabíječky baterií. Dobíjecí baterie jsou vždy označeny jako takové.
- Nevhazujte baterie do ohně, protože by to mohlo způsobit výbuch.

4. ČIŠTĚNÍ A ÚDRŽBA

1. Před čištěním vždy odpojte ventilátor od napájení a počkejte, až se zastaví.
2. Vnější povrch očistěte měkkým navlhčeným hadříkem.

VAROVÁNÍ:

- Před zahájením opravy se ujistěte, že je vypnutá síťová pojistka nebo jistič.
- Ventilátor neponořujte do vody.
- Nikdy nepoužívejte kovové houby, abrazivní čisticí prostředky nebo chemikálie.
- Pravidelně čistěte ventilátor. Používejte pouze hadřík nebo kartáč. Kovové povrchy jsou pokryty lakem, aby se zabránilo ztmavnutí / ztrátě lesku.
- Nezvlhčujte vnitřek produktu (zejména desky s plošnými spoji), protože to může být velmi nebezpečné a může dojít k poškození ventilátoru.
- Pokud výrobek nepoužíváte, odpojte jej od zdroje napájení. Chcete-li je skladovat, vložte jej do výrobní krabice a skladujte jej na suchém a větraném místě až do dalšího použití.
- V případě poruchy nebo pochybností se nepokoušejte sami opravit ventilátor, abyste předešli riziku požáru nebo úrazu elektrickým proudem.

5. ZJIŠTĚNÍ A ODSTRANOVÁNÍ ZÁVAD

VENTILÁTOR SE NESPUSTÍ

1. Zkontrolujte všechny pojistky nebo jističe.
2. Vypněte elektrické napájení a zkontrolujte všechna připojení vodičů.

VENTILÁTOR JE HLUČNÝ

1. U každého nového ventilátoru se střední nebo vysokou rychlostí vždy nechte několik dní přestávku. Zkuste zjistit přesně původ hluku pečlivým poslechem z několika stran (lopatky, motor, světelná souprava atd.). Hluk ventilátoru může pocházet ze světelné soupravy.
2. Ujistěte se, že všechny šrouby v sestavě ventilátoru a světelná souprava jsou utaženy a řádně zašroubovány. Pokud tomu tak není, vypněte napájení a utáhněte šrouby. Utáhněte šrouby alespoň jednou ročně, protože se mohou časem pomalu uvolňovat a způsobit klikání.
3. Ujistěte se, že je souprava svítidla bezpečně připevněna k ventilátoru a všechny šrouby skleněného stínidla jsou pevně dotaženy pouze manuálně. Neutahujte kleštěmi nebo šroubovákem.
4. Ujistěte se, že je montážní držák pevně nainstalován ve spojovací krabici.
5. Dbejte na to, aby se matice vodičů v krytu spínače nebo na panelu neusazovaly proti sobě nebo ke stěně krytu. V případě potřeby zabalte elektrickou páskou.
6. Ujistěte se, že se panel nedotýká stropu.
7. Ujistěte se, že šrouby upevňující držáky lopatek k motoru jsou utaženy a byly použity k tomu určené pojistné podložky.

VENTILÁTOR NEGENERUJE VĚTŠÍ PRŮTOK VZDUCHU

1. Ventilátor může běžet v opačném směru a vzduch může směřovat nahoru.
2. Místnost může obsahovat předměty, které brání proudění vzduchu.
3. Ventilátor může být příliš malý vzhledem k velikosti místnosti.

VIBRACE VENTILÁTORU

POZNAMKA: Menší vibrace jsou považovány za přijatelné a neměly by být považovány za vadu.

1. Ujistěte se, že je montážní držák je řádně připevněn ke stropu a vůbec se nepohybuje. V případě potřeby dotáhněte šrouby.
2. Ujistěte se, že všechny šrouby, které drží lopatky k podpěře lopatek a podpěře lopatek k motoru, jsou pevně utaženy. Ujistěte se, že jsou šrouby sady svítidla a skleněného stínidla řádně dotaženy.