



# LogiLink®

Adjustable Under Desk  
PC Holder with Sliding Track  
and 360° Swivel

Art. No.: EO0031

Great for organizing your work space. Highly adjustable to fit a variety of PC sizes, easy access to the ports and cables on the back with smooth rotation and sliding track.



RoHS  
compliant

\*The specifications and pictures are subject to change without prior notice.  
\*All trade names referenced are the registered trademarks of their respective owners.



EO0031



4 052792 060140

Made in China



# LogiLink®

Adjustable Under Desk  
PC Holder with Sliding Track  
and 360° Swivel

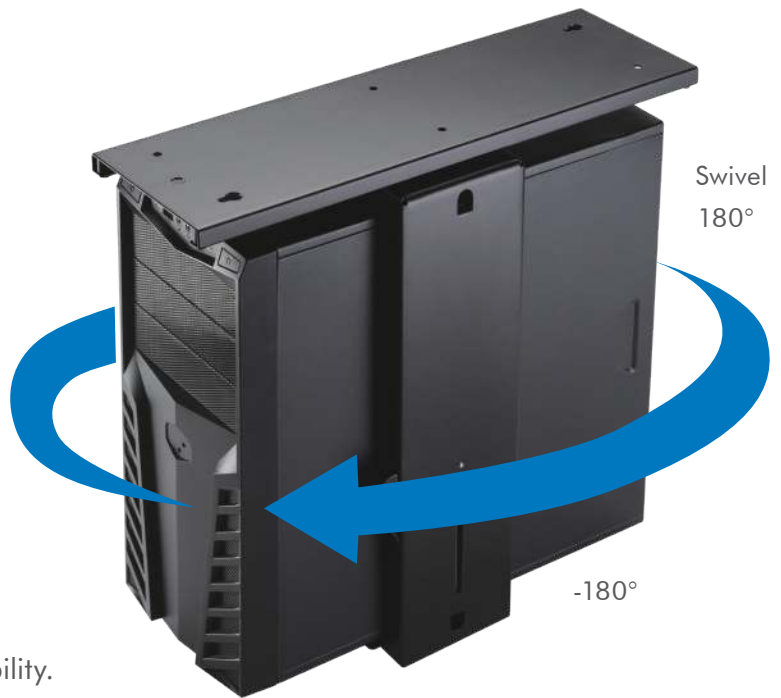
Art. No.: EO0031

### Smooth Rotation

Swivel adjustment for accessing the ports and cables on the back easily.

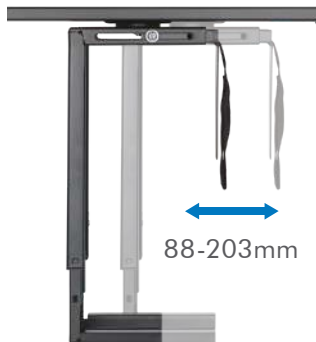


Sliding mechanism for greater accessibility.



### Variety for PC Sizes

Fits most PC sizes on the market with adjustable width from 88-203 and adjustable height from 300-510mm.



Locking Handle



\*The specifications and pictures are subject to change without prior notice.  
\*All trade names referenced are the registered trademarks of their respective owners.



EO0031



4 052792 060140

Made in China



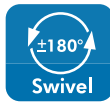
# LogiLink®

Adjustable Under Desk  
PC Holder with Sliding Track  
and 360° Swivel

Art. No.: EO0031

## Specifications:

Material	Steel
Adjustable Height Range	300-510mm
Adjustable Width Range	88-203mm
Swivel	-180°~180°
Sliding Range	325mm
Weight Capacity	10kg
Color	Black

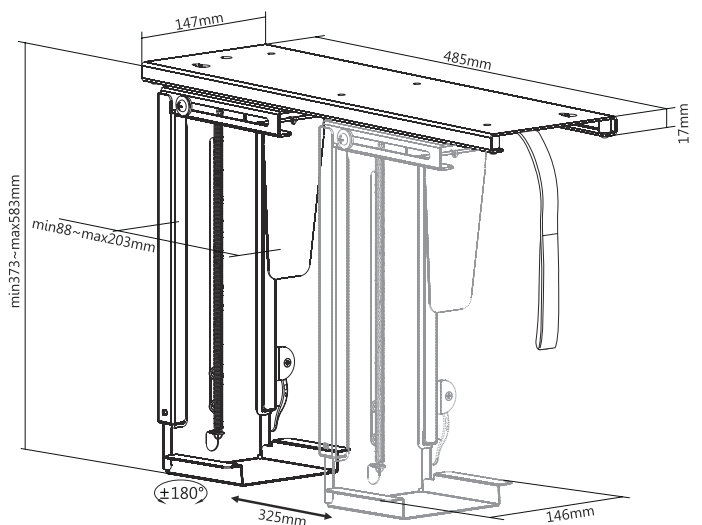


## Package Contents:

- » 1 x PC Mount
- » 1 x Screw Package
- » 1 x User Manual

## Package Information:

- » Packing Dimension: 518 x 172 x 210mm
- » Packing Weight: 4.84kg
- » Carton Dimension: 540 x 370 x 450mm
- » Carton Q'ty: 4pcs
- » Carton Weight: 20.46kg



\*The specifications and pictures are subject to change without prior notice.  
\*All trade names referenced are the registered trademarks of their respective owners.



EO0031



4 052792 060140

Made in China