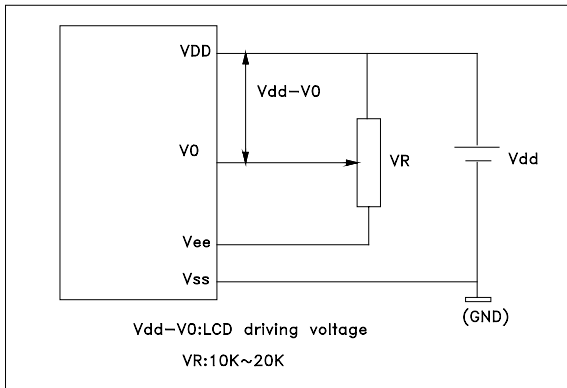


TG12864B-05

Series

Display Format	128 X 64 DOTS
Drive Method	1/64 Duty ; 1/9 Bias
LCD Type	STN/Transflective/positive Y/G
LED Backlight	Yellow
Viewing direction	6:00
Operating Temperature	-20°C ~70°C

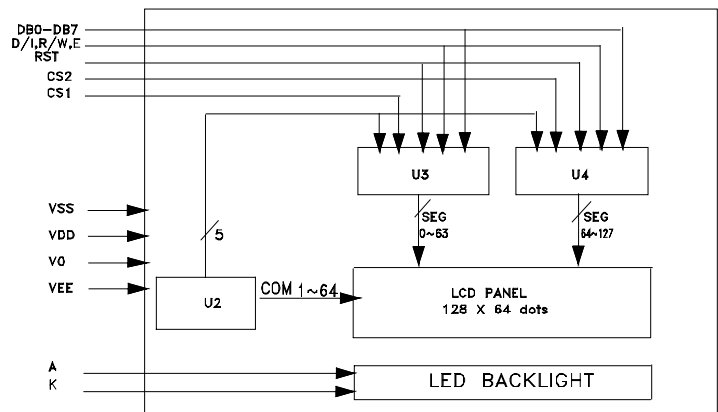
Power supply



Electrical Characteristics

ITEM	Symbol	Condition	Standard value			UNIT
			Min.	Typ.	Max.	
Supply Voltage For Logic	$V_{DD}-V_{SS}$	--	4.5	5.0	5.5	V
Supply Voltage For LCD	$V_{DD}-V_0$	--	--	9.0	--	V
Input High Voltage	V_{IH}	--	0.7 V_{DD}	--	V_{DD}	V
Input Low Voltage	V_{IL}	--	0	--	0.3 V_{DD}	V
Supply Current for Logic	I_{DD}	--	--	6.0	--	mA
Supply Current for LCD	I_{EE}	--	--	4.5	--	mA
With B/L (Yellow-Green)	I_{LED}	$V_{LED}=5.0V$	--	330	660	mA

Block Diagram



EXTERNAL DIMENSIONS AND DISPLAY PATTERN

