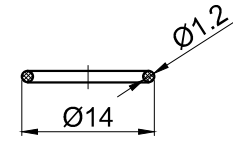
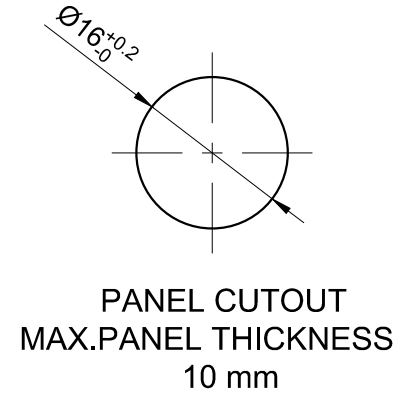
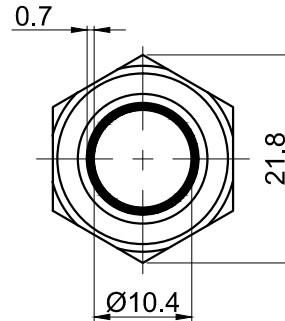
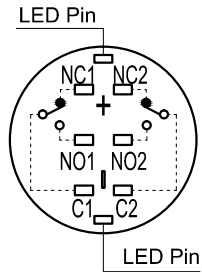


The shaded part is illuminated



Seal Ring



Contact Composition

"□"	Contact structure	"■"	Operation mode	"△"	Lamp Color	"▲"	Lamp Voltage	"◎"	Crust material	
11	1NO1NC	No Letter	Momentary	R	Red	6V	AC/DC 6V	S	Stainless steel	
22	2NO2NC	Z	Latching	G	Green	12V	AC/DC 12V	A	Al alloy(black)	
				Y	Yellow	24V	AC/DC 24V	N	Nickel Plated Brass	
				B	Blue	110V	AC/DC 110V	"☆" <b>IP Class</b>		
				W	White	220V	AC/DC 220V			
							Other voltage can be made to order		No Letter	IP40
									P	IP65
									FP	IP67

Part Number: LAS2GQF-□■E/△/▲/◎/☆

**SPECIFICATIONS:**

1. Switch Rating: AC250V/0.5A, DC110V/0.1A.
2. Mechanical Life: ≥1,000,000cycles.
3. Electrical Life: ≥50,000cycles.
4. Contact Resistance: ≤50mΩ.
5. Insulation Resistance: ≥1,000MΩ.
6. Dielectric Strength: 1,500V, RMS 50Hz, 1min.
7. Operating Temperature: -25°C~ +55°C(No Freezing).
8. Operating Force: About 1.2~1.8N(1NO1NC), About 1.4~2N(2NO2NC).
9. Operating Travel: About 2.3mm.
10. Torque: About 0.6Nm max.applied to nut.
11. Protection degree: IP40/IP65/IP67;IK09.
12. Terminal Type: Pin Terminal(1.8 x 0.4mm), LED Pin(1.8 x 0.3mm).

**MATERIALS:**

1. Contact: Silver alloy.
2. Button: ◎.
3. Body: ◎.
4. Base: PA.

BRAND 品牌 <b>ONPOW</b>		<b>红波按钮制造有限公司</b> ONPOW PUSH BUTTON MANUFACTURE CO.,LTD.	
THESE DRAWINGS AND SPECIFICATIONS ARE THE PROPERTY OF ONPOW PUSH BUTTON MANUFACTURE CO.,LTD. AND SHALL NOT BE REPRODUCED COPIED OR USED IN ANY MANNER WITHOUT THE PRIOR WRITTEN CONSENT OF ONPOW PUSH BUTTON MANUFACTURE CO.,LTD.		USED 用途	APPD 审核 CH 2019/09/04
		FINISH 处理	CHKD 校对 NCH 2019/09/04
		SCALE 比例 1.2 / 1	UNIT 单位 mm
		DR. 制图 ZPD 2019/09/04	
DIMENSIONS		TOLERANCE	
0.00 TO 18.00mm		±0.43mm	
18.01 TO 30.00mm		±0.52mm	
30.01 TO 50.00mm		±0.62mm	
50.01 TO 80.00mm		±0.74mm	
TITLE 名称 GQ Series Anti-vandal push button		SIZE 图纸 A4	
DWG NO. 图号 LAS2GQF-E		SHEET 张 1 / 1	
FILE NAME 档案名称 LAS2GQF带灯.DWG		REV. 更改 1	