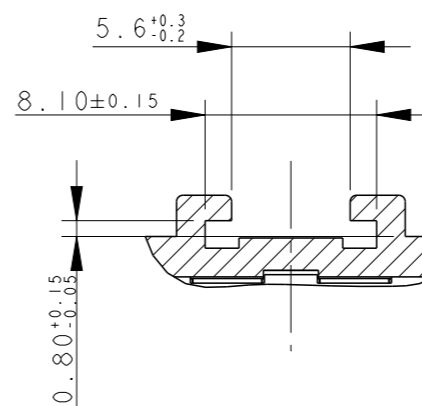
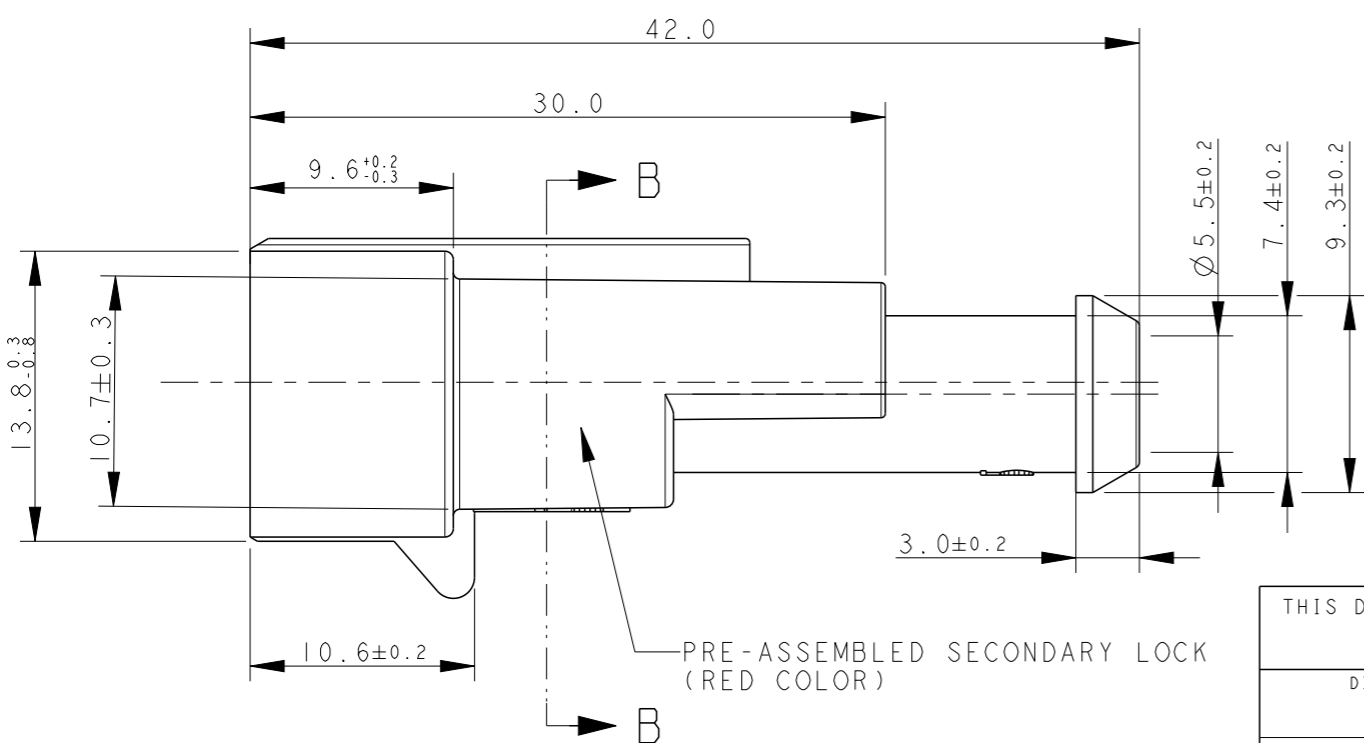
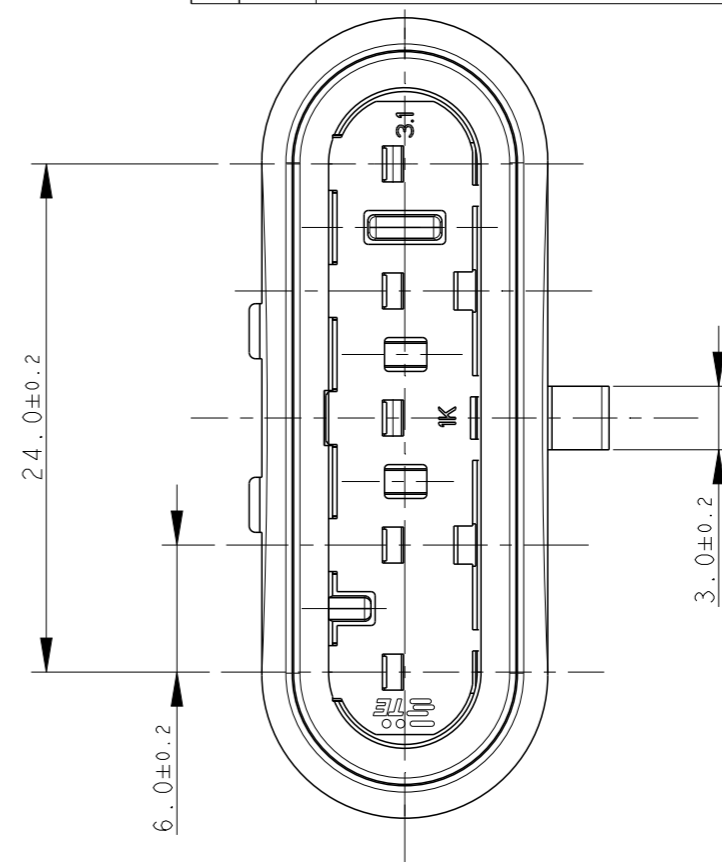
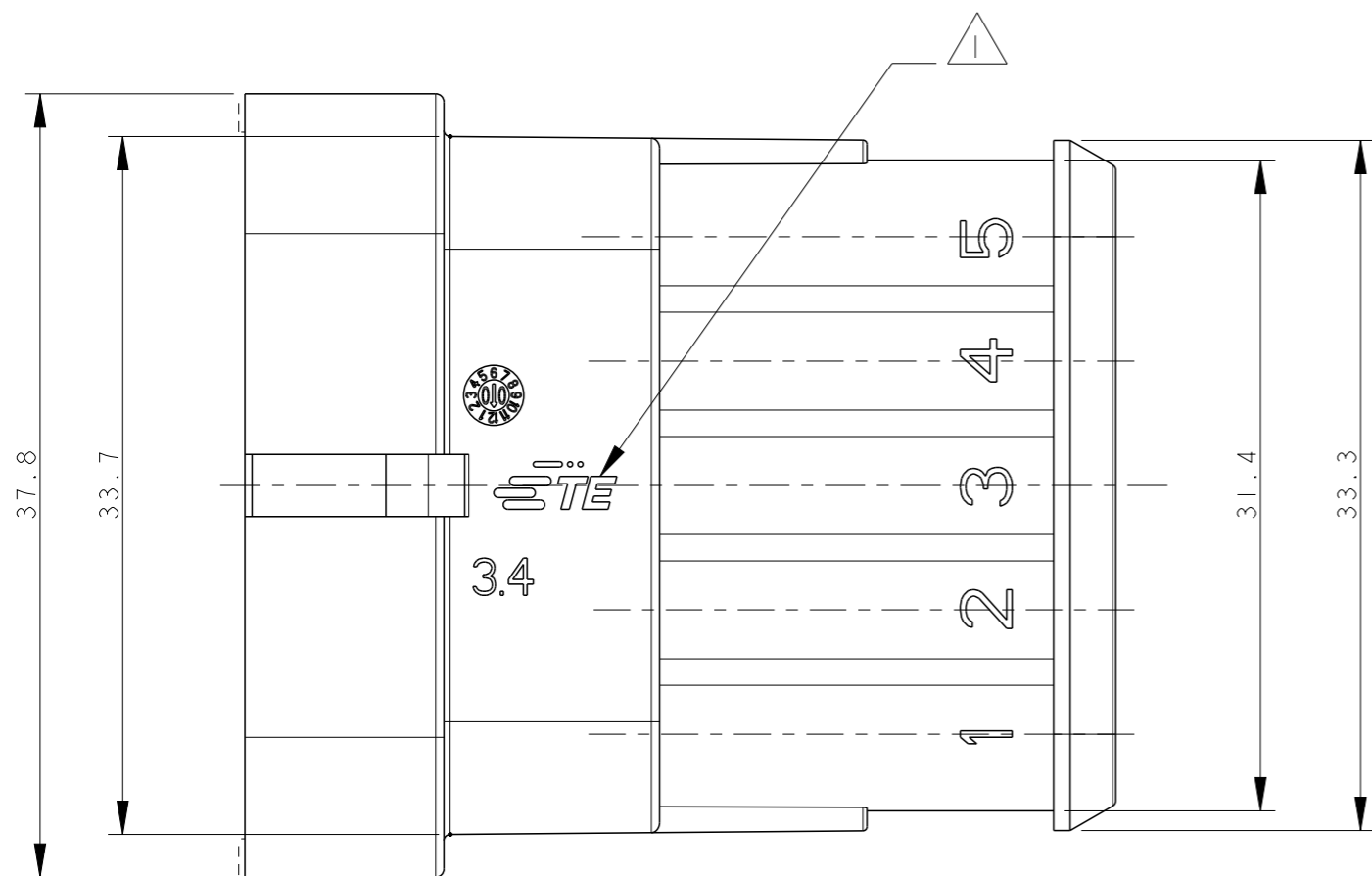


REVISIONS

P	LTR	DESCRIPTION	DATE	DWN	APVD
B1		REVISED PER ECO-17-009774	06SEP2017	M.G.	M.G.
B2		REVISED PER ECO-20-002019	12FEB2020	AP	VN



PART SECTION B - B

FINISH/COLOR	MATERIAL	REV	PART NUMBER
BROWN	PA66-GF	B	4-282107-1
GRAY	PA66-GF	B	282107-2
BLACK	PA66-GF	B	282107-1

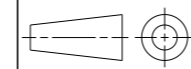
1 TE CONNECTIVITY TRADE MARK,
(IN ALTERNATIVE: "AMP" LOGO, OR "Tyco Electronics" LOGO)

2 PRELIMINARY

PRE-ASSEMBLED SECONDARY LOCK (RED COLOR)

THIS DRAWING IS A CONTROLLED DOCUMENT.

DIMENSIONS: mm



MATERIAL: SEE TABLE

TOLERANCES UNLESS OTHERWISE SPECIFIED:

0 PLC ±
 1 PLC ± 0.3
 2 PLC ±
 3 PLC ±
 4 PLC ±
 ANGLES ± 2°

FINISH: SEE TABLE

DWN: C. BERTINI 02-1990

CHK: A. BRUNI 02-1990

APVD: -

PRODUCT SPEC: 108-20090

APPLICATION SPEC: 412-20000

WEIGHT: 7.72g

CUSTOMER DRAWING

NAME: AMP SUPERSEAL 1.5 SRS. 5 POSITIONS TAB ASS'Y

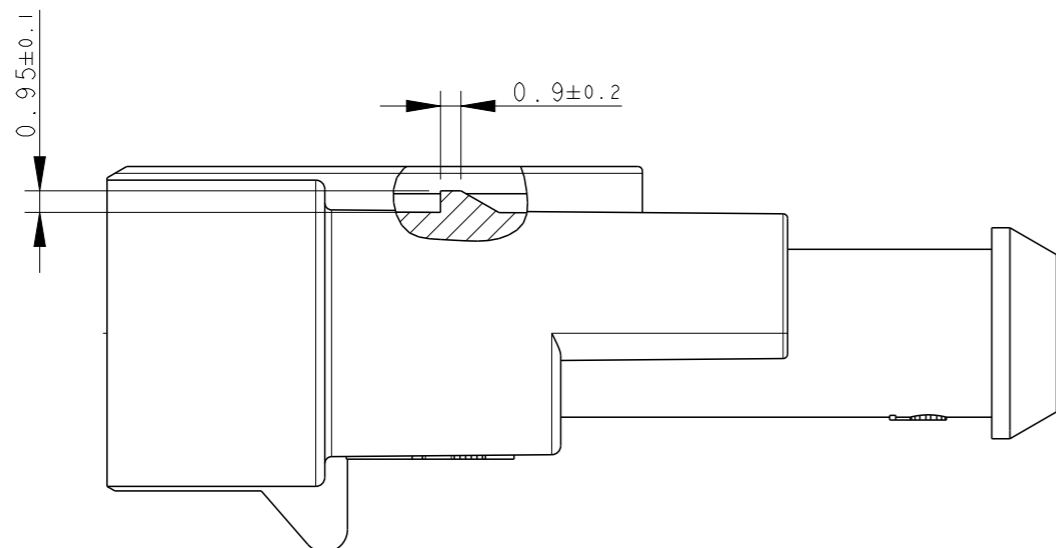
SIZE: A3 CAGE CODE: 00779 DRAWING NO: C-282107 RESTRICTED TO:

SCALE: 5:1 SHEET: 1 OF 2 REV: B2

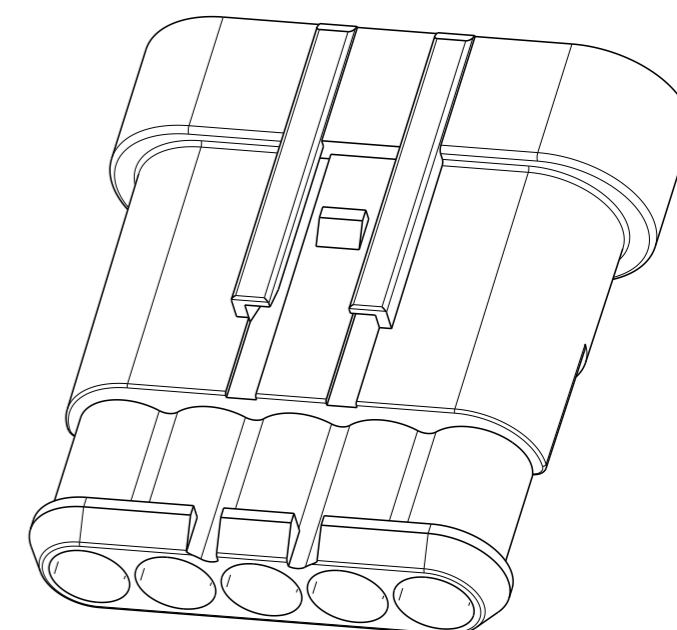
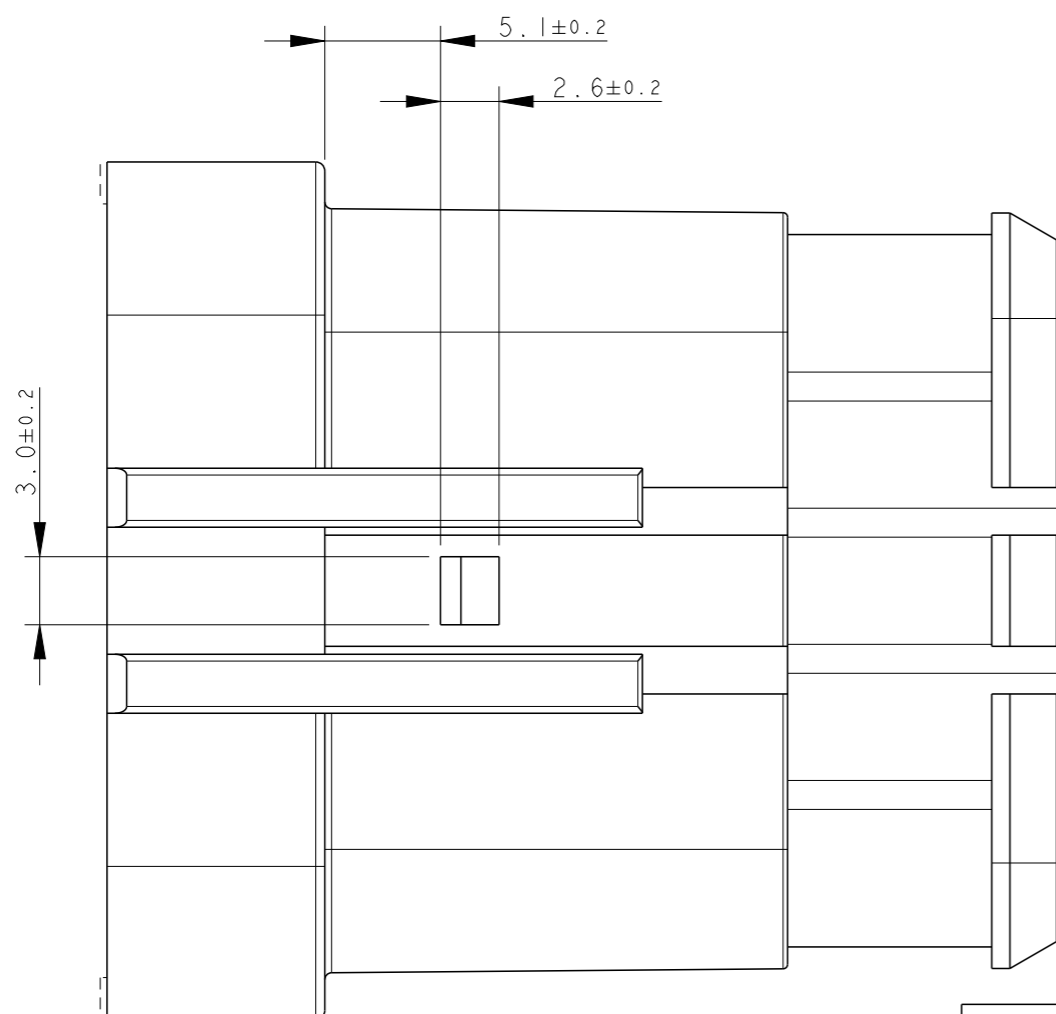


REVISIONS

P	LTR	DESCRIPTION	DATE	DWN	APVD
-	-	SEE SHEET 1	-	-	-



REFER SHEET 1 FOR MISSING DIMENSIONS



PRELIMINARY

4-282107-1 AS SHOWN

THIS DRAWING IS A CONTROLLED DOCUMENT.

DWN C. BERTINI 02-1990

CHK A. BRUNI 02-1990

APVD -

PRODUCT SPEC 108-20090

APPLICATION SPEC 412-20000

WEIGHT 7.72g

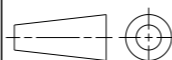
NAME AMP SUPERSEAL 1.5 SRS. 5 POSITIONS TAB ASS'Y

SIZE CAGE CODE DRAWING NO RESTRICTED TO

A300779 G-282107

CUSTOMER DRAWING SCALE 3:1 SHEET 2 OF 2 REV B2

DIMENSIONS: mm



TOLERANCES UNLESS OTHERWISE SPECIFIED:

0 PLC	±-
1 PLC	± 0.3
2 PLC	±-
3 PLC	±-
4 PLC	±-
ANGLES	± 2°

MATERIAL - SEE TABLE

FINISH - SEE TABLE