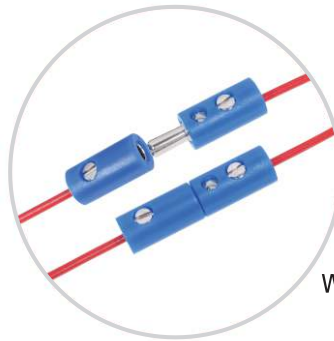
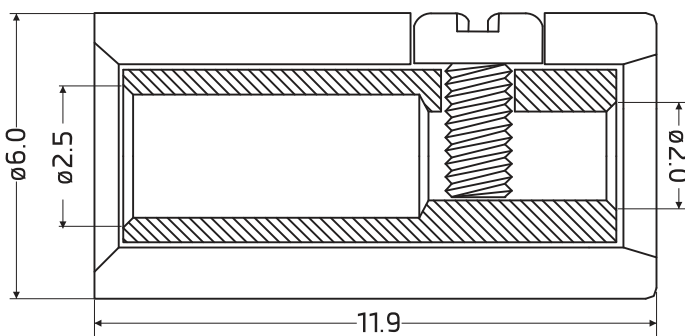


Best. Nr. 451 446

### Miniature Connector, 2.6mm Female Jack, Blue color 10pcs pack



Wire cross section: 0.5-1.5 mm<sup>2</sup>



#### Specification

Insulator material: ABS  
 Contact material: Copper  
 Plating: Nickel  
 Voltage rating: 30 V/DC  
 Current rating: 2A  
 Contact resistance: 5mΩ max.  
 Insulation resistance: 100MΩ min.  
 Operating temperature: -10°C to 85°C

