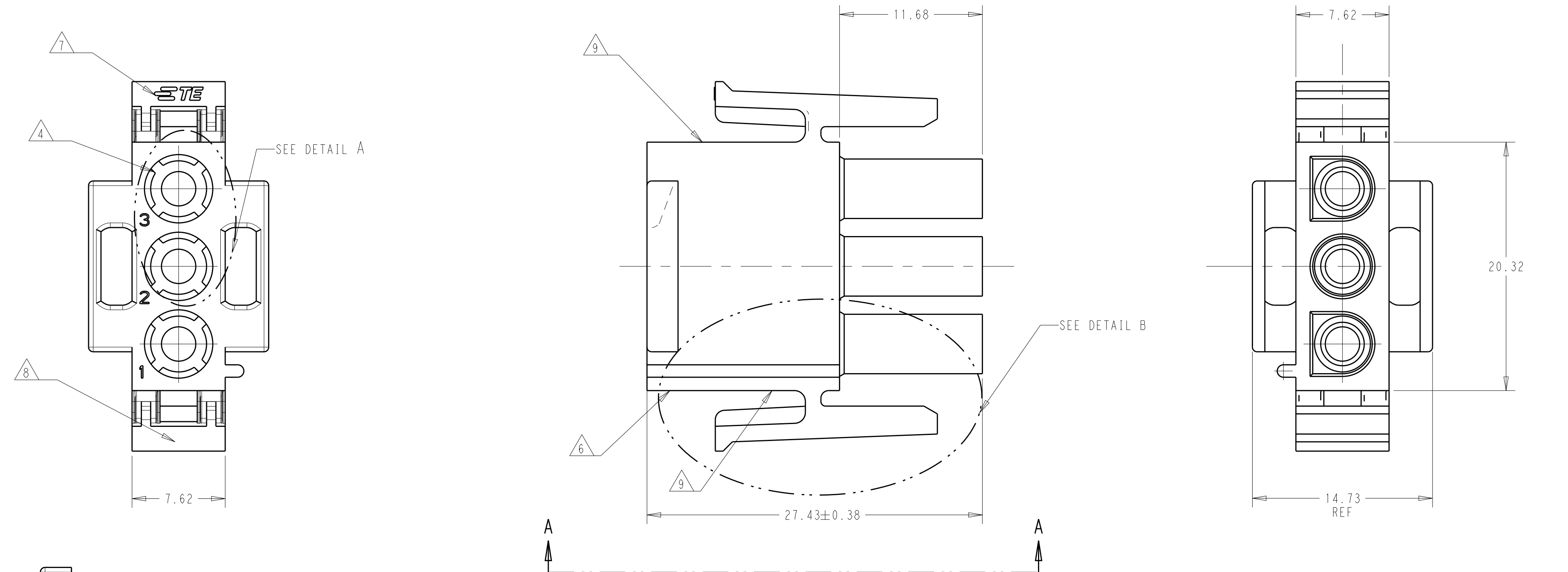
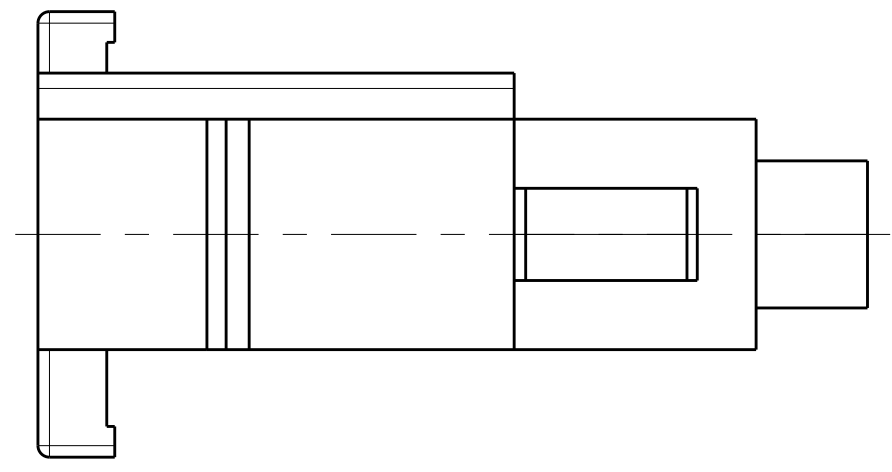


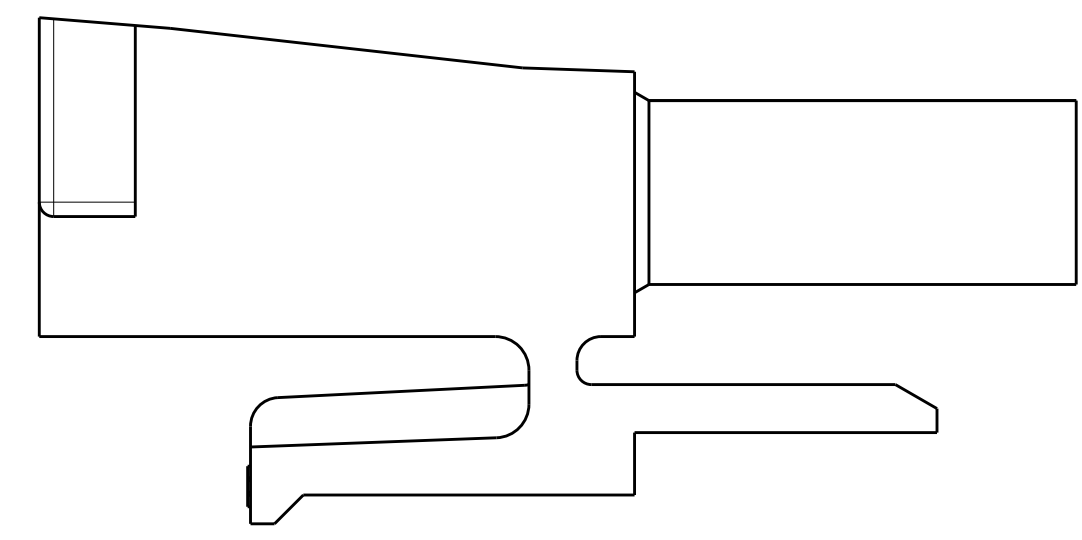
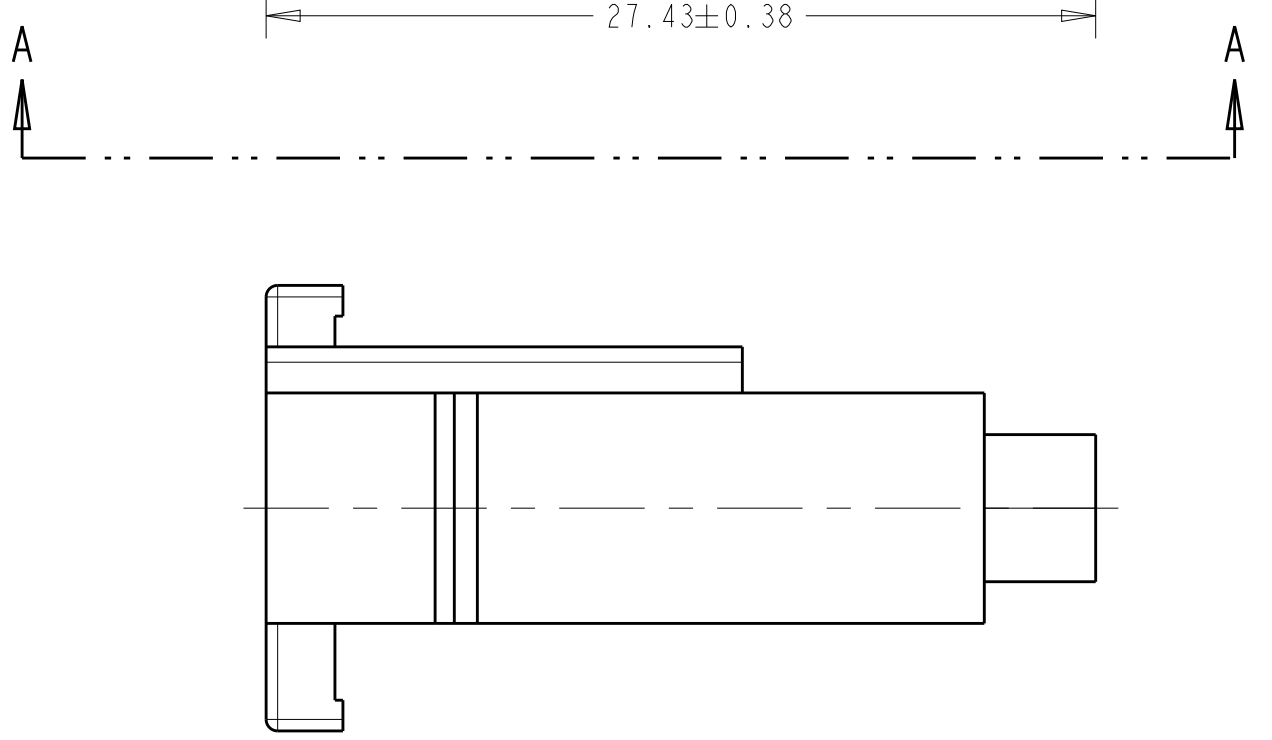
| REVISIONS | | | | |
|-----------|-----|---------------------------|-----------|--------|
| P | LTN | DESCRIPTION | DATE | APP'D |
| Z | | REVISED PER ECR-19-011518 | 06SEP2019 | BDA SF |
| AA | | REVISED PER ECO-20-006810 | 01JUN2020 | BKW SF |



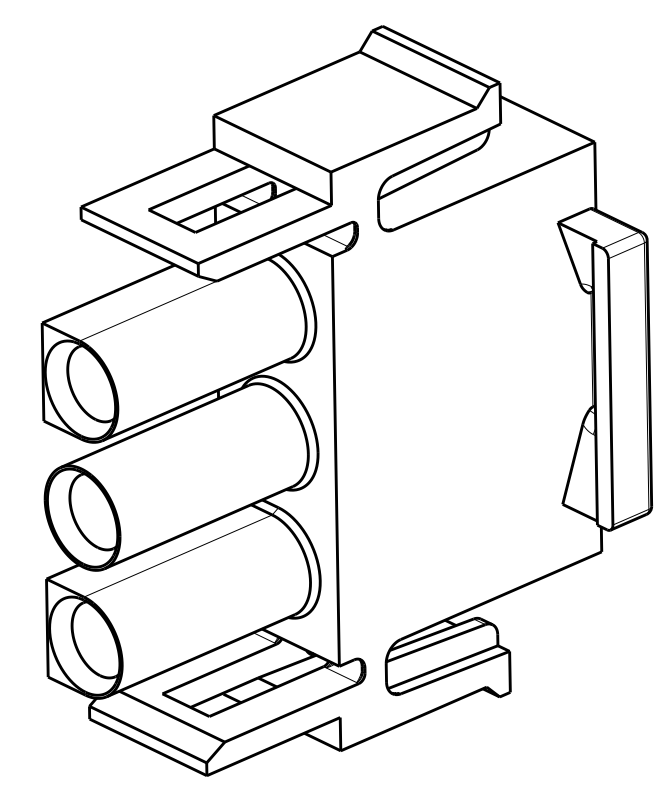
- 1 MATES WITH APPROPRIATE UNIVERSAL MATE-N-LOK CAP OR HEADER.
- 2 SMALL NICKS ARE PERMITTED ON THE CIRCUIT TOWERS WHICH COULD INCREASE THE INITIAL HOUSING MATING FORCE BY UP TO 4.4 NEWTONS [1.0 LBS]. NO INDIVIDUAL NICKED TOWER SHALL INCREASE THIS FORCE BY OVER 2.2 NEWTONS [.5 LBS].
- 3 DIMENSIONS SHOWN REPRESENT PRODUCT IN DRY, AS MOLDED, CONDITION. ADDITIONAL 2% GROWTH DUE TO SUBSEQUENT MOISTURE ABSORPTION MAY OCCUR AND SHOULD BE ACCOUNTED FOR.
- 4 FOUR RIBS EQUALLY SPACED, NO SPECIFIC ORIENTATION. NO RIBS OR SIX RIBS EQUALLY SPACED, NO SPECIFIC ORIENTATION, OPTIONAL.
- 5 NOT MANUFACTURED IN U.S.
- 6 UNDERWRITERS RECOGNIZED COMPONENT LOGO AND CSA CERTIFICATION LOGO TO BE LOCATED ONCE EACH ON SIDE OF HOUSING.
- 7 TRADEMARK LOCATION (AMP OR TE CONNECTIVITY).
- 8 MANUFACTURING LOCATION ID (OPTIONAL).
- 9 PRESENCE OF MOLD RELEASE RIBS IS OPTIONAL. RIBS DO NOT AFFECT FIT OR FUNCTION OF PRODUCT. SEE DETAIL C FOR CONSTRUCTION OPTIONS WITH 1, 2, OR 3 RIBS.



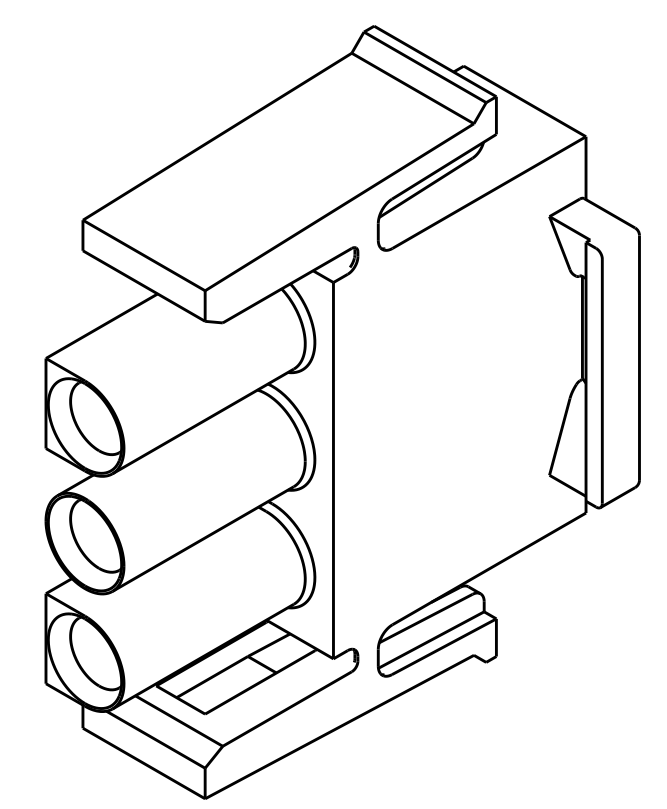
VIEW A-A
350766-4 ONLY



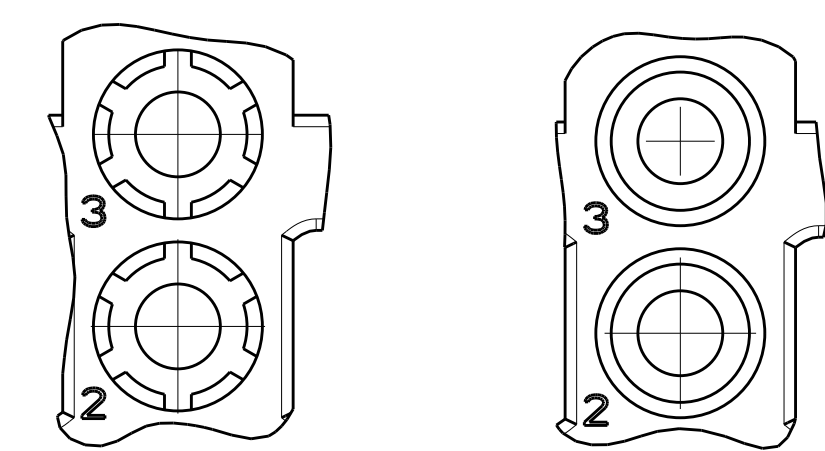
DETAIL B
350766-4 ONLY



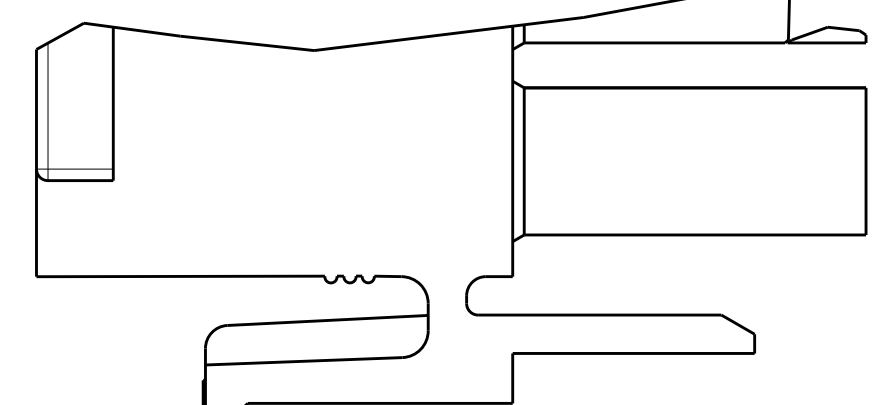
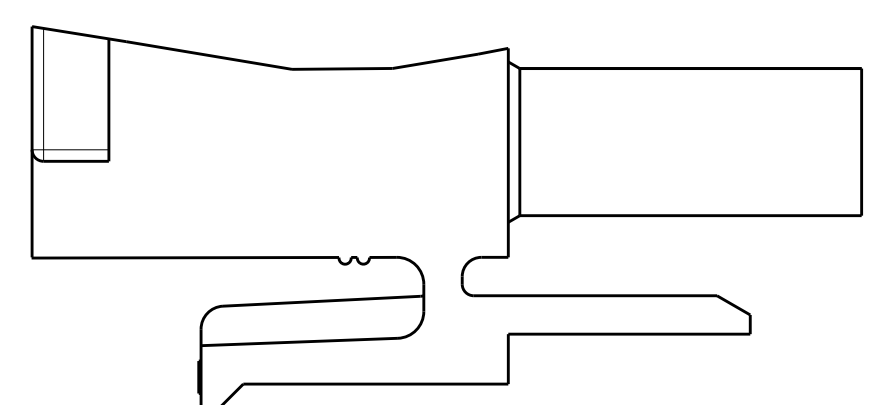
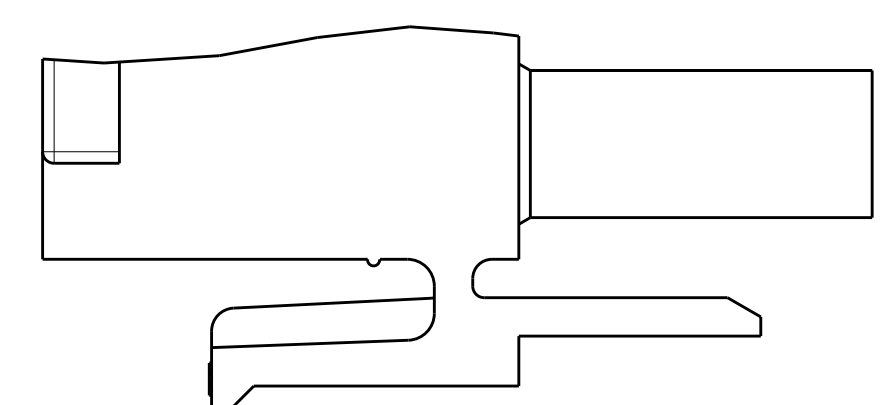
350766-4 3-DIMENSIONAL MODEL
NTS



3-DIMENSIONAL MODEL
NTS



DETAIL A
OPTIONAL CONSTRUCTIONS



DETAIL C
OPTIONAL CONSTRUCTIONS WITH MOLD PULL RIBS

| | |
|-------|-------|
| 1.080 | 27.43 |
| .800 | 20.32 |
| .580 | 14.73 |
| .460 | 11.68 |
| .300 | 7.62 |
| .015 | 0.38 |
| .005 | 0.13 |
| IN | MM |

CONVERSION TABLE

| | |
|---------|-------------|
| BLACK | 1-350766-9 |
| GRAY | 1-350766-8 |
| BLUE | 1-350766-6 |
| GREEN | 1-350766-5 |
| YELLOW | 1-350766-4 |
| ORANGE | 1-350766-3 |
| RED | 1-350766-2 |
| BROWN | 1-350766-1 |
| NATURAL | 350766-4 |
| NATURAL | 350766-2 |
| NATURAL | 350766-1 |
| COLOR | PART NUMBER |

| | | | | |
|--|--|---------------------------------|---|--|
| THIS DRAWING IS A CONTROLLED DOCUMENT. | | OWN R. WHITAKER 07OCT2005 | TE Connectivity | |
| DIMENSIONS: IN | | CHK S. RIDGILL 07OCT2005 | NAME PLUG, 3 CIRCUIT, UNIVERSAL MATE-N-LOCK(TM) | |
| TOLERANCES UNLESS OTHERWISE SPECIFIED: | | APVD S. RIDGILL 07OCT2005 | PRODUCT SPEC 108-1031 | |
| 0 PLC ± | | APPLICATION SPEC | | |
| 2 PLC ± | | 114-1010 | | |
| 3 PLC ± | | WEIGHT | | |
| 4 PLC ± | | CUSTOMER DRAWING | | |
| ANGLES ± | | SCALE 4:1 SHEET 1 OF 1 REV AA | | |
| FINISH | | MATERIAL NYLON, UL 94V-0 | | |