

# 14FF- 2Z- C3-1/2/3

# RELAY SOCKET



## CHARACTERISTICS

Ambient temperature :	-40 °C to +70°C
Rated voltage :	300VAC
Rated current :	12A (per pole)
Insulation voltage (Min.) :	5000VAC
Protection degree DIN40050 :	IP20
Socket material :	PA66+GF V0 (UL)
Contacts spring material :	QSn6.5-0.1
Plastic retainer :	available
White plastic tag :	available
Modules (on request) :	HFAA to HFHU module available
Terminal torque :	0.6Nm
Wire strip length :	7mm

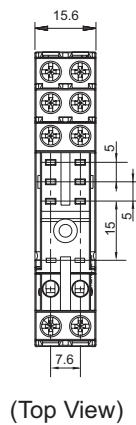
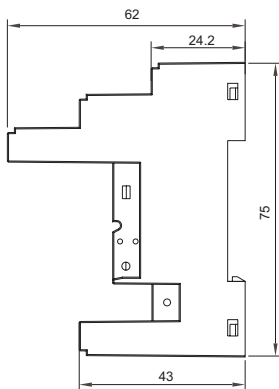
### Applicable relay type:

- 1: suit for JQX-115F(HF115F) series (Relay height 15.7mm).
- 2: suit for HF141FH (Relay height 20.6mm).
- 3: suit for JQX-14FW(HF14FW)/JZX-140FF(HF140FF) (Relay height 26.3mm, 25.5mm).

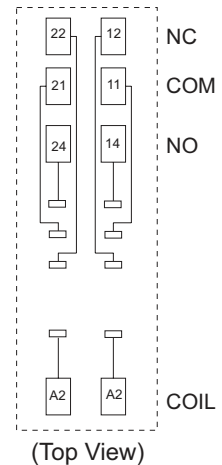
## DIMENSIONS, PC BOARD LAYOUT AND WIRING DIAGRAM

Unit: mm

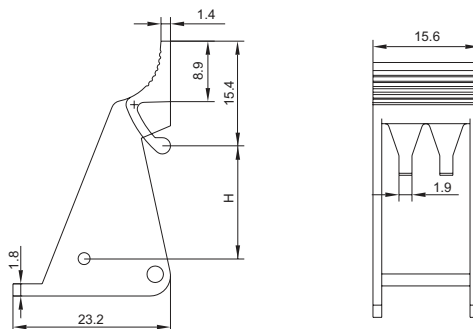
### Outline Dimensions



### Wiring Diagram



### Retainer Dimensions



### Three types of H:

H1=16mm (for -1 type)

H2=21mm (for -2 type)

H3=26mm (for -3 type)

You can choose the type you need.