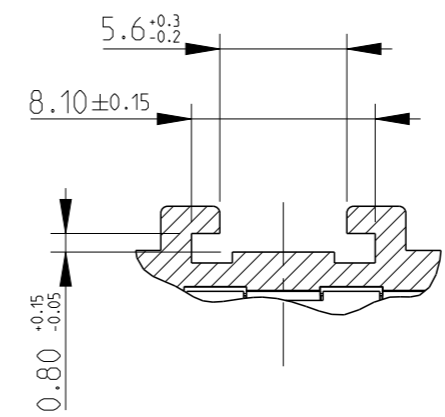
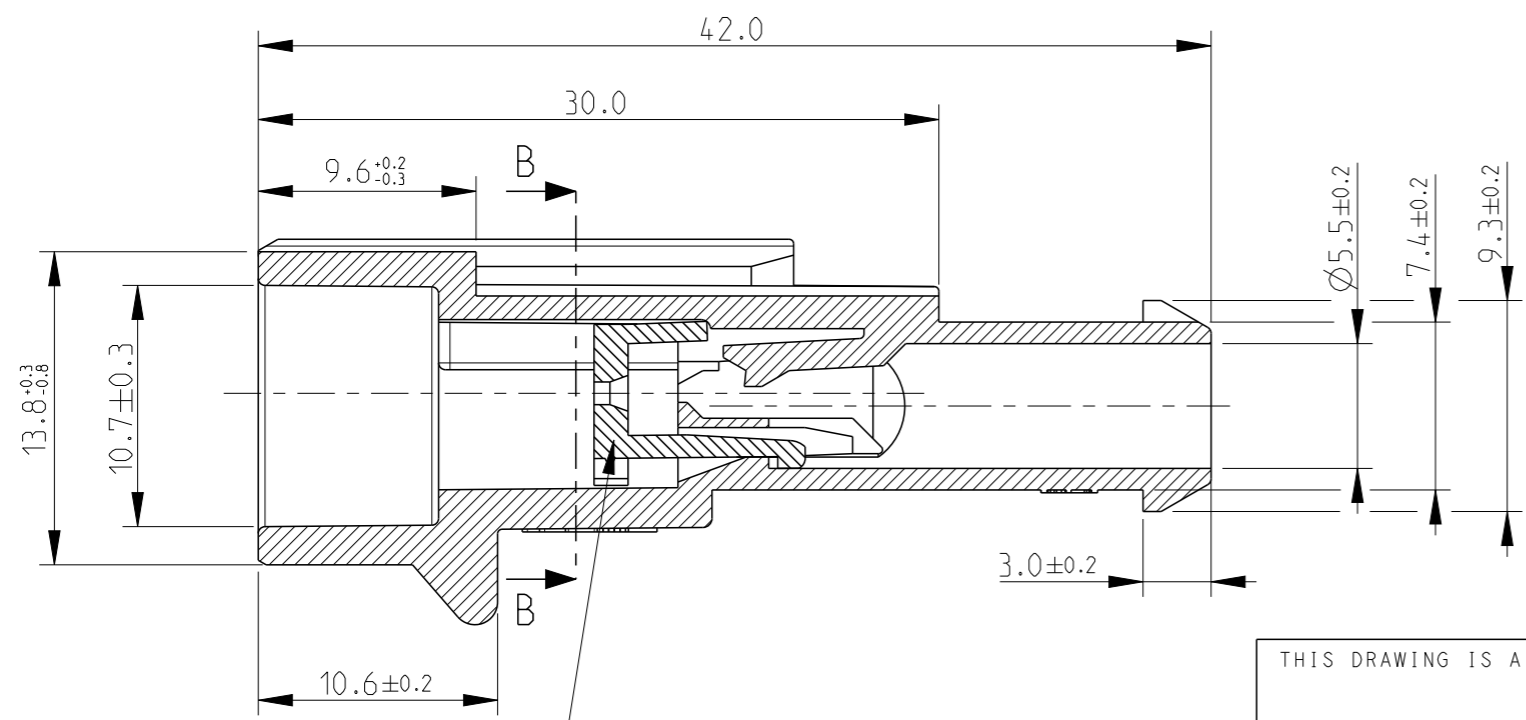
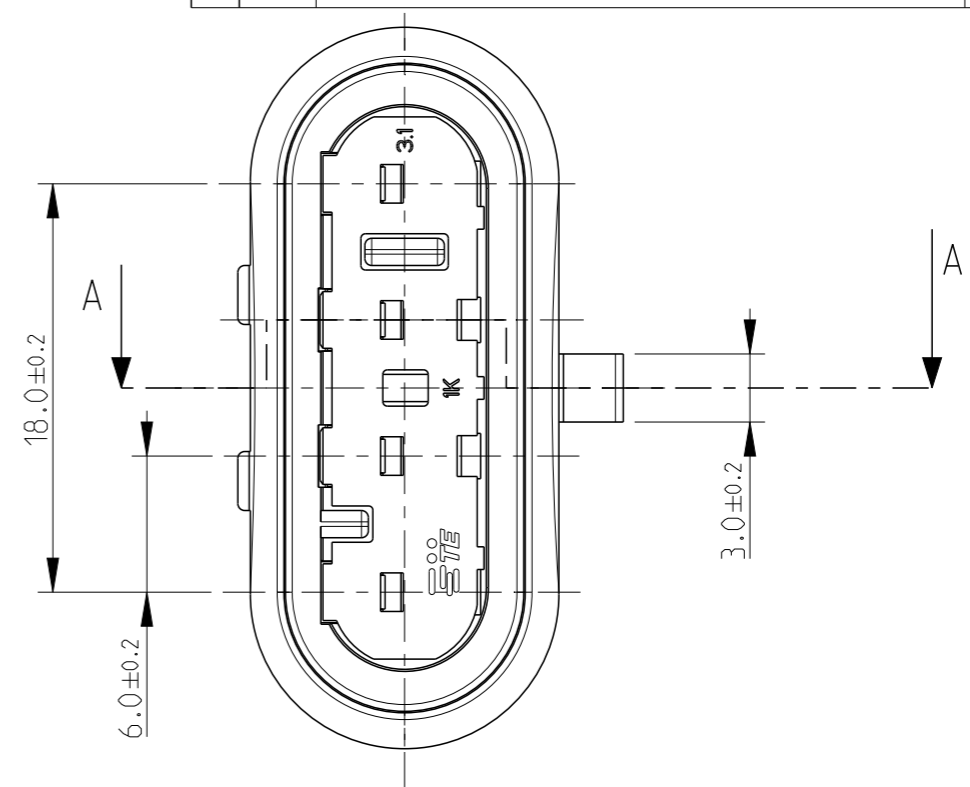
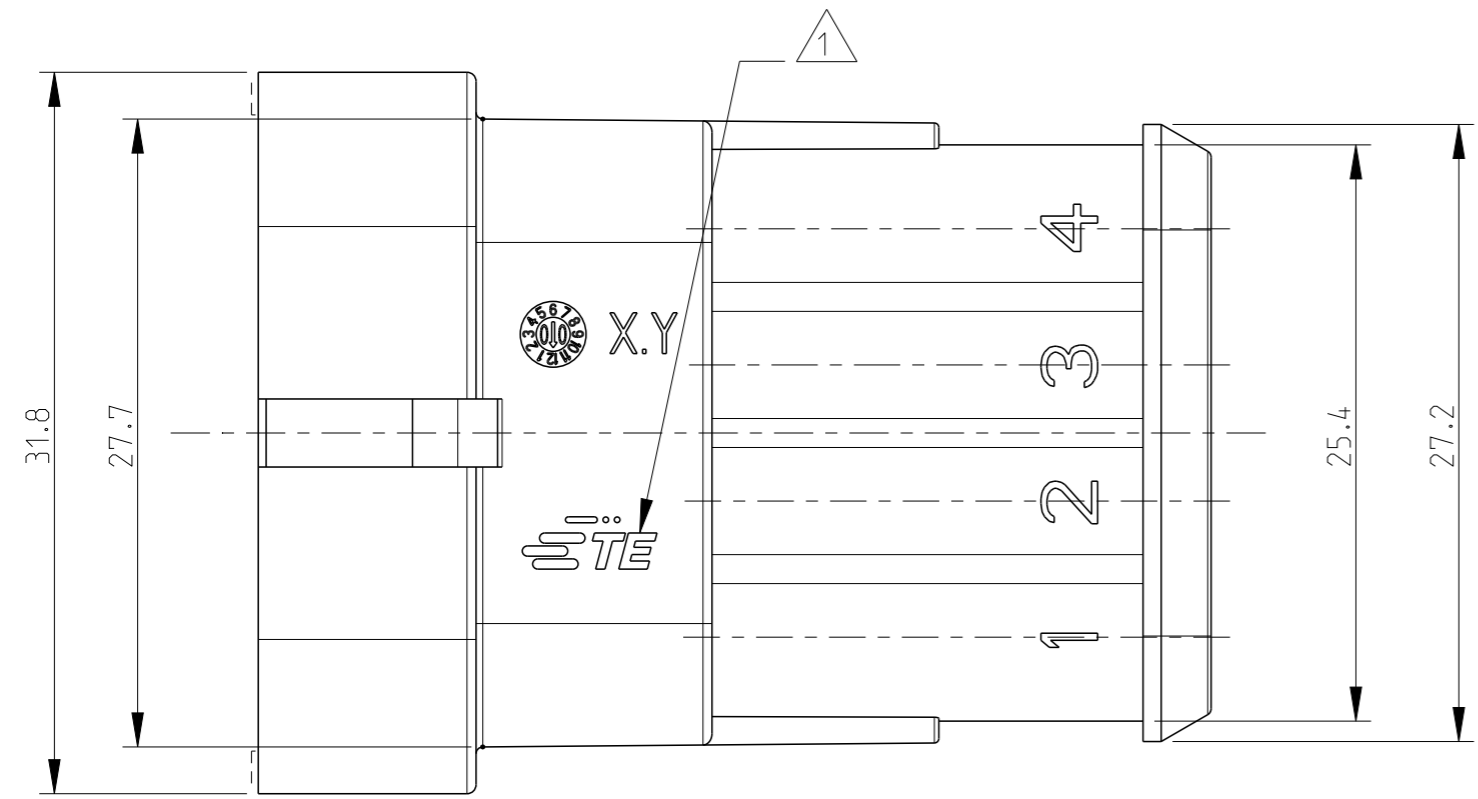


THIS DRAWING IS UNPUBLISHED. RELEASED FOR PUBLICATION 20
 © COPYRIGHT 20 BY - ALL RIGHTS RESERVED.

REVISIONS					
P	LTR	DESCRIPTION	DATE	DWN	APVD
B3		REVISED (ECO-17-009774)	06SEP2017	M.G.	M.G.
B4		REVISED PER ECO-20-002019	12FEB2020	AP	VN



PART. SECTION B-B

BROWN	PA66-GF	B	4-282106-1
GRAY	PA66-GF	B	282106-2
BLACK	PA66-GF	B	282106-1
FINISH/COLOR	MATERIAL	REV	PART NUMBER

PRE-ASSEMBLED SECONDARY LOCK (RED COLOR)

1 TE CONNECTIVITY TRADE MARK, (IN ALTERNATIVE: "AMP" LOGO, OR "Tyco Electronics" LOGO)
 2 PRELIMINARY

THIS DRAWING IS A CONTROLLED DOCUMENT.		DWN 02 - 1990	TE Connectivity	
		CHK A.BRUNI 02 - 1990		
DIMENSIONS: mm		APVD -	NAME AMP SUPERSEAL 1,5 SERIES CONNECTORS 4 POSITIONS TAB ASS'Y	
TOLERANCES UNLESS OTHERWISE SPECIFIED:		PRODUCT SPEC 108-20090	-	
0 PLC ±	± 0.3	APPLICATION SPEC 412-20000	-	
1 PLC ±	± 0.3	WEIGHT 6.14g	SIZE A3	CAGE CODE -
2 PLC ±	± 0.3	CUSTOMER DRAWING	DRAWING NO C-282106	RESTRICTED TO
3 PLC ±	± 0.3		SCALE 3:1	SHEET 1 OF 2
4 PLC ±	± 0.3			REV B4
ANGLES ± 2°				
MATERIAL -	FINISH -			
SEE TABLE	SEE TABLE			

4

3

2

1

THIS DRAWING IS UNPUBLISHED.

RELEASED FOR PUBLICATION

20

© COPYRIGHT 20

BY -

ALL RIGHTS RESERVED.

REVISIONS

P	LTR	DESCRIPTION	DATE	DWN	APVD
-	-	SEE SHEET 1	-	-	-

0.95±0.1

0.9±0.2

REFER SHEET 1 FOR MISSING DIMENSIONS


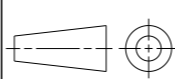
5.1±0.2

2.6±0.2

3.0±0.2

PRELIMINARY

4-282106-1 AS SHOWN

THIS DRAWING IS A CONTROLLED DOCUMENT.		DWN C.BERTINI 02 - 1990	 TE Connectivity		
DIMENSIONS: mm		CHK A.BRUNI 02 - 1990			
TOLERANCES UNLESS OTHERWISE SPECIFIED:		APVD -	NAME AMP SUPERSEAL 1,5 SERIES CONNECTORS 4 POSITIONS TAB ASS'Y		
		PRODUCT SPEC 108-20090	SIZE A3		
MATERIAL - SEE TABLE		APPLICATION SPEC 412-20000	CAGE CODE -	DRAWING NO C=282106	RESTRICTED TO
FINISH -		WEIGHT 6.14g	SCALE 3:1		
SEE TABLE		CUSTOMER DRAWING		SHEET 2 OF 2	REV B4

1470-19 (3/13)