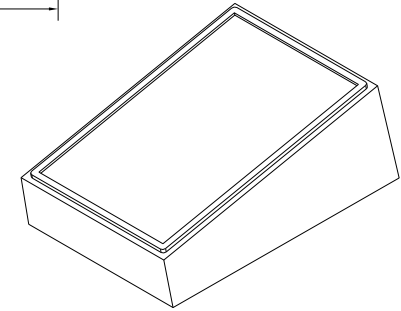
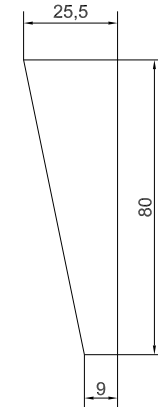


PCB MAX SIZE



	Denomination	101	
	Assembly 101		Part. Number
<p>Subject to technical modification without prior notice. Tipographical and other errors do not justify any claim for damages. All dimensions should be verified using an actual moulded part.</p> <p>This document contains proprietary information of TEKO S.p.a. and is tendered subject to the conditions that the information be retained in confidence not be reproduced or copied and not be used or incorporated in any product.</p>	Rev. Index	Scale	
	Date	Format design	
	16/12/2005	A2	