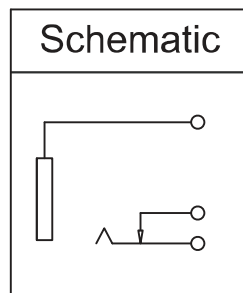
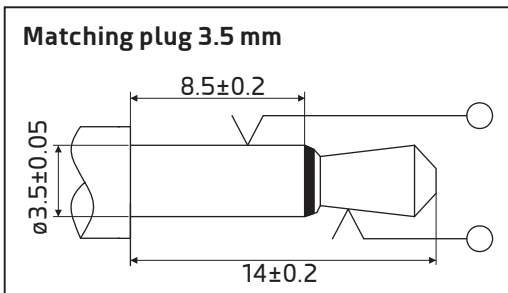
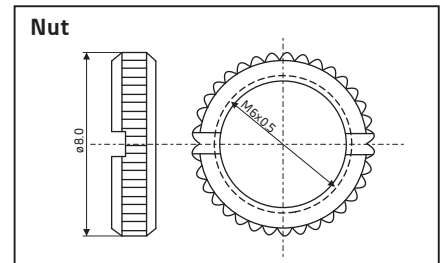
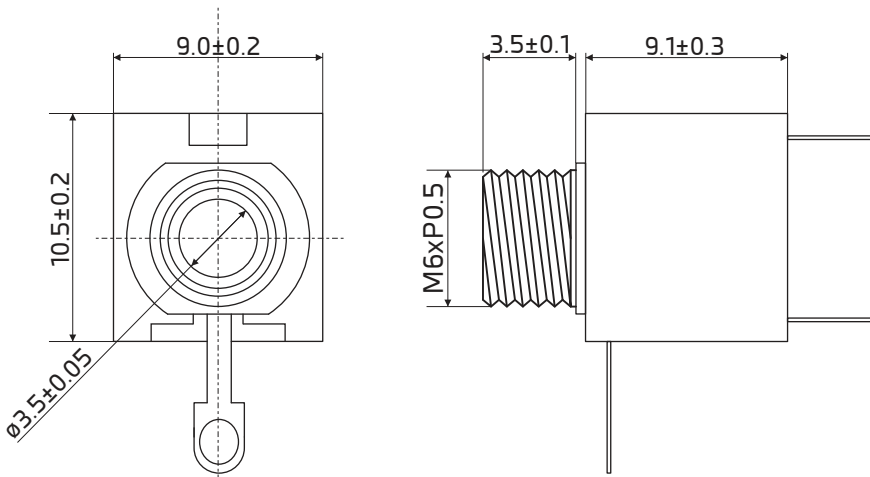


Best. Nr. 451 722

### 3.5 mm Mono Jack Socket, White Panel mount, Solder tags terminal



#### Specification

Material

Housing: PBT

Color: White (Natural)

Solder Terminal: Brass, Nickel plated

Tip spring: Phosphor Bronze, Tin plated

Current rating: 0.5A

Voltage rating: 30 Vdc

Connector resistance: 30 mΩ max.

Insulation resistance: 100 MΩ min.

Operation temperature: -20°C ~ 70°C

Recommended Installation

Panel hole: Ø6.0 mm

Panel thickness: 2.0 mm max.