

LogiLink®

Adjustable Under Desk CPU Mount

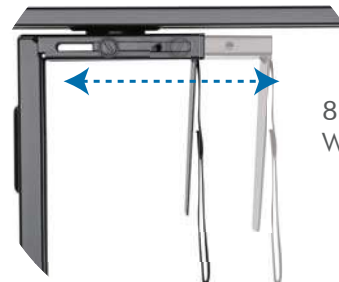
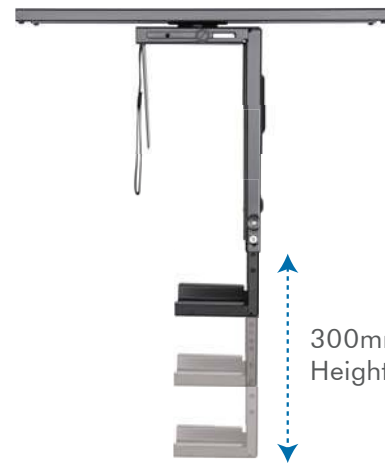
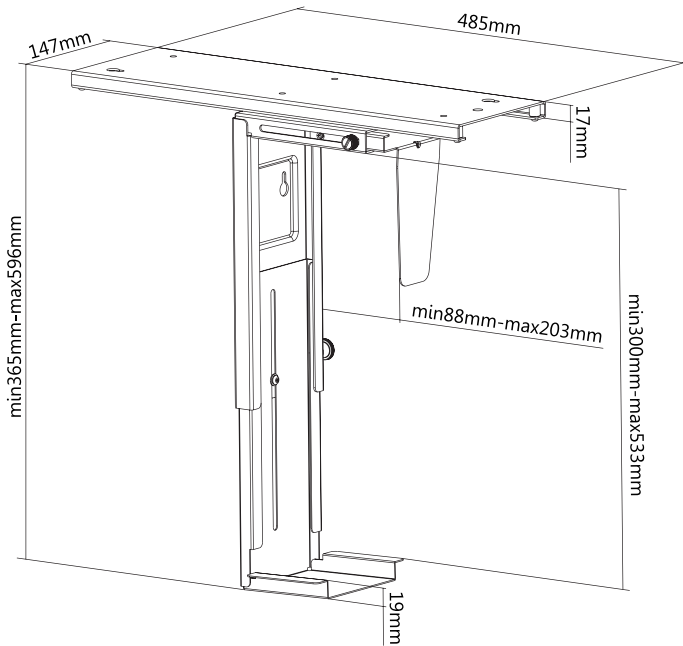
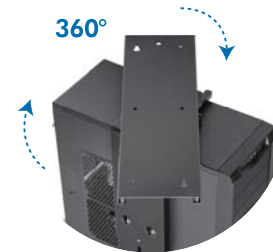
Art. No.: EO0004



Designed to mount the computer under the desk to save more space in the working area.

Features:

- » Fits the CPU up to 10kg
- » Sturdy and simple design
- » 360° rotate
- » Sliding mechanism for greater accessibility



EO0004



4 052792 048094

Made in China

RoHS
compliant

* The specifications and pictures are subject to change without notice.
* All trade names referenced are the registered trademark of their respective owners.

Best Connectivity

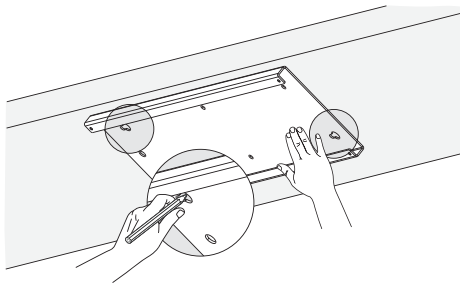
LogiLink®

Adjustable Under Desk CPU Mount

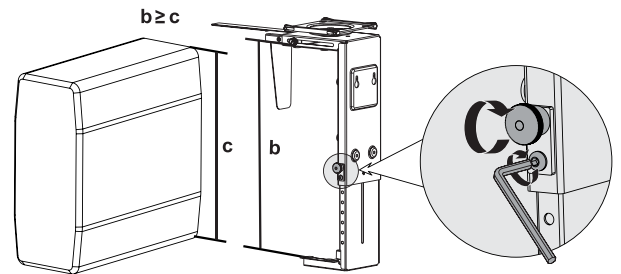
Art. No.: EO0004



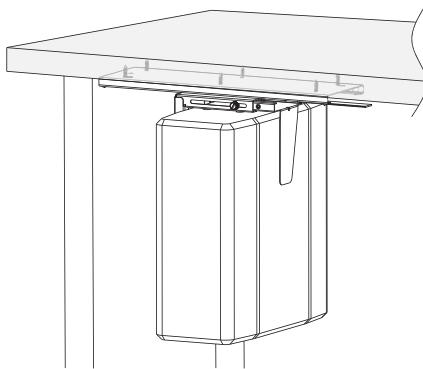
1



2



3



Specification:

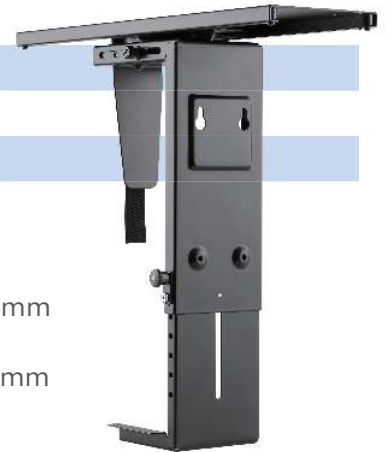
Rated Load	10kg (22lbs)
Sliding Range	325mm
Height Adjustable	300-533mm
Width Adjustable	88-203mm
Rotation	360°

Package Contents:

- » 1 x CPU Mount
- » 1 x Screw Pack
- » 1 x User Manual

Package Informations:

- » Packing Dimension: 518 x 172 x 210mm
- » Packing Weight: 4.35kg
- » Carton Dimension: 540 x 370 x 460mm
- » Carton Q'ty: 4pcs
- » Carton Weight: 20kg



* The specifications and pictures are subject to change without notice.
* All trade names referenced are the registered trademark of their respective owners.



EO0004



4 052792 048094

Made in China