

■ Absolute Maximum Rating

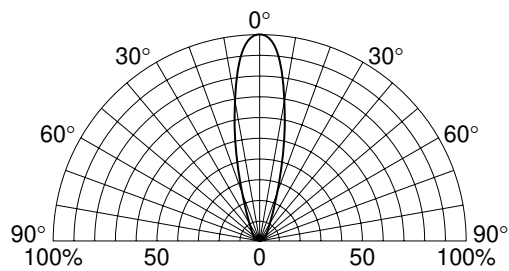
Parameter	Unit	Rating	Conditions
IF	mA	100	
ΔI_F	mA/°C	-1.33	25°C or higher
IFP	mA	1000	f=1kHz, tw≤10μs
VR	V	5	
Top	°C	-30 to +85	
Tstg	°C	-30 to +100	

■ 5φ Round Infrared LEDs

SID1050M Series (available as Direct Mount)

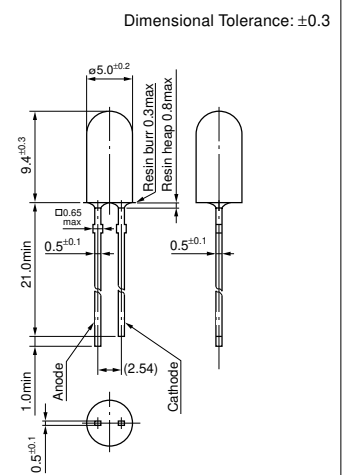
Part Number	Lens Color	Forward Voltage		Radiant Intensity		Peak Wavelength		Spectrum Half Bandwidth		Chip Material	Remark	
		VF (V) TYP	MAX	Conditions IF (mA)	le (mW/sr) TYP	Conditions	λP (nm) TYP	Conditions IF (mA)	Δλ (nm) TYP			Conditions IF (mA)
SID1050CM	Water clear	1.3	1.5	50	250	(Constant voltage) Vcc=3V, R=2.2Ω	940	50	50	50	GaAs	-

Directional Characteristics (representative example)



External Dimensions

(Unit: mm)



Product Mass: Approx. 0.31 g