

CON_HDMI
CON_HDMI.SchDoc

HDMI
DDC
HPD

HDMI2LVDS
HDMI2LVDS.SchDoc

HDMI
DDC
HPD
LED_A
LED_C

I2C
I2S
RST
LCD_RESET
LCD_STBYB

I2C
SDA
SCL

CODEC
CODEC_TAS5805M.SchDoc

I2C

I2S
PWR_EN

3V3

R8
4.7k F

R9
4.7k F

PB7

PB6

PA5

PA6

PA7

PA9

BACKLIGHT
BACKLIGHT_LP8865.SchDoc

LED_CATHODE
LED_ANODE

LCD_PWM

PA1

ttyACM
CON_TYPECUSB.SchDoc

USB

CH32
CH32V203G6U6.SchDoc

USB
PD

PA
PB

PA

PB

DCJACK
CON_DCJACK.SchDoc

DC

DC_JACK

POWER
POWER.SchDoc

DC

TOUCH
CON_TOUCH.SchDoc

TOUCH_PWR_EN
USB

PB0

TYPEC USB
CON_TYPECUSB.SchDoc

USB

Mounting Holes

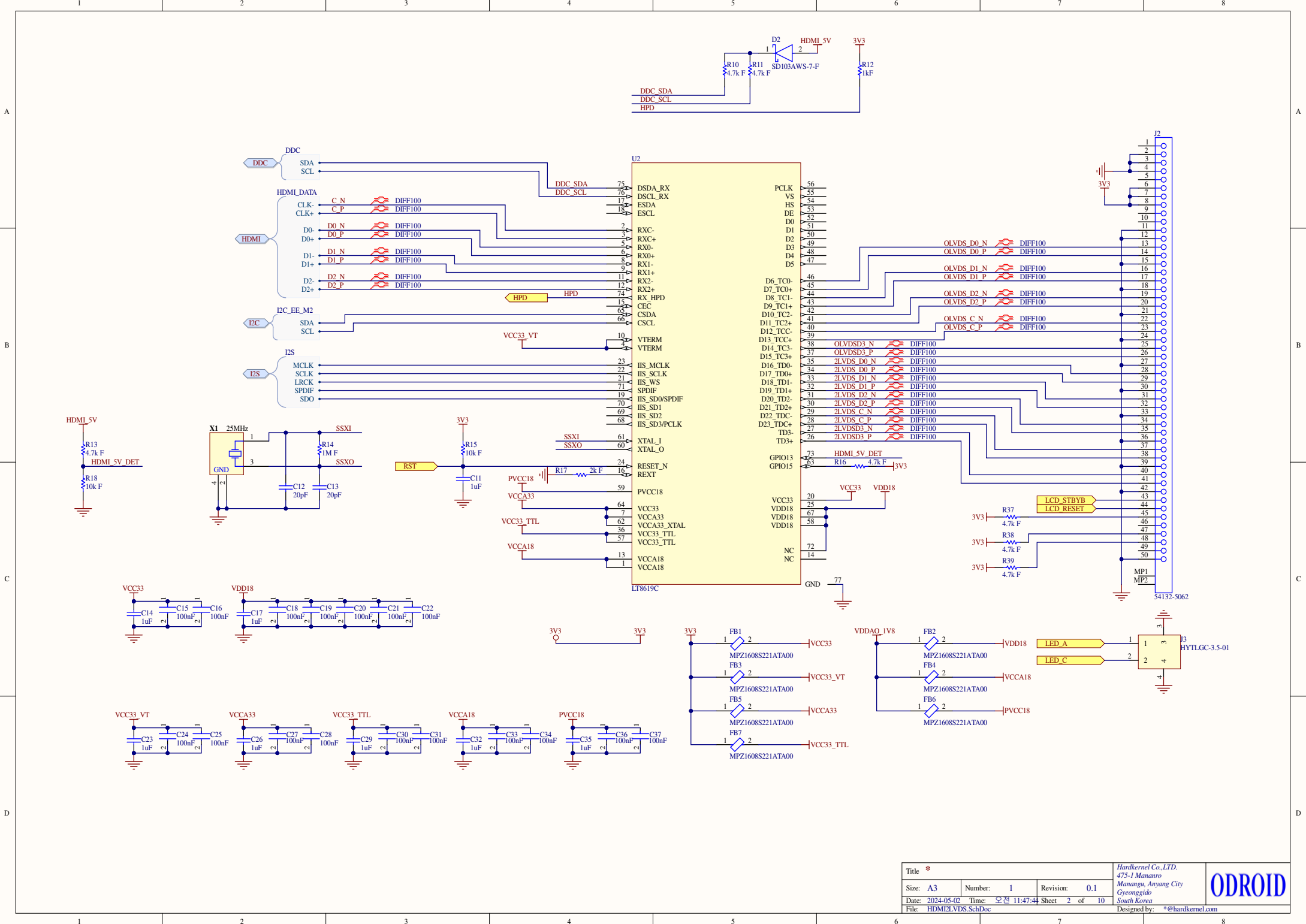


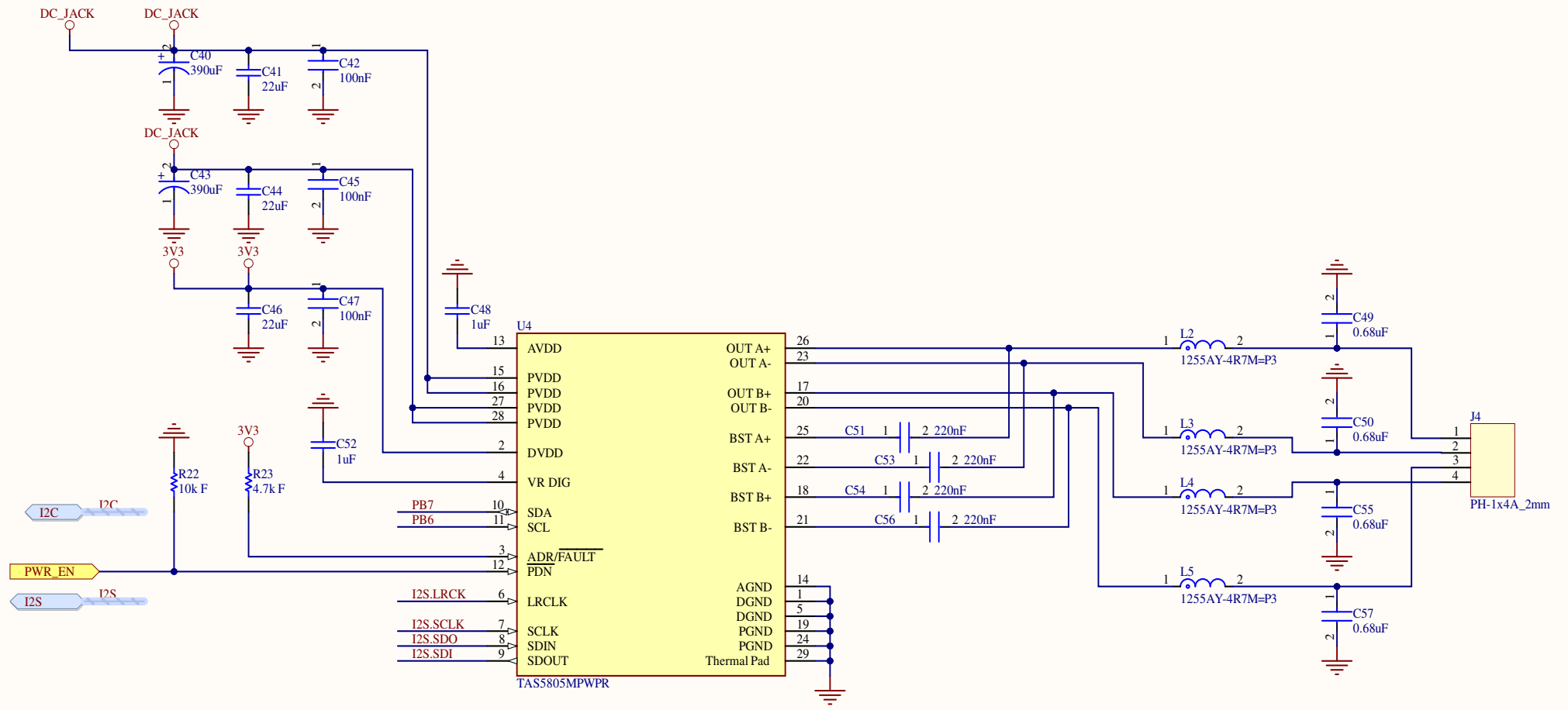
MH1



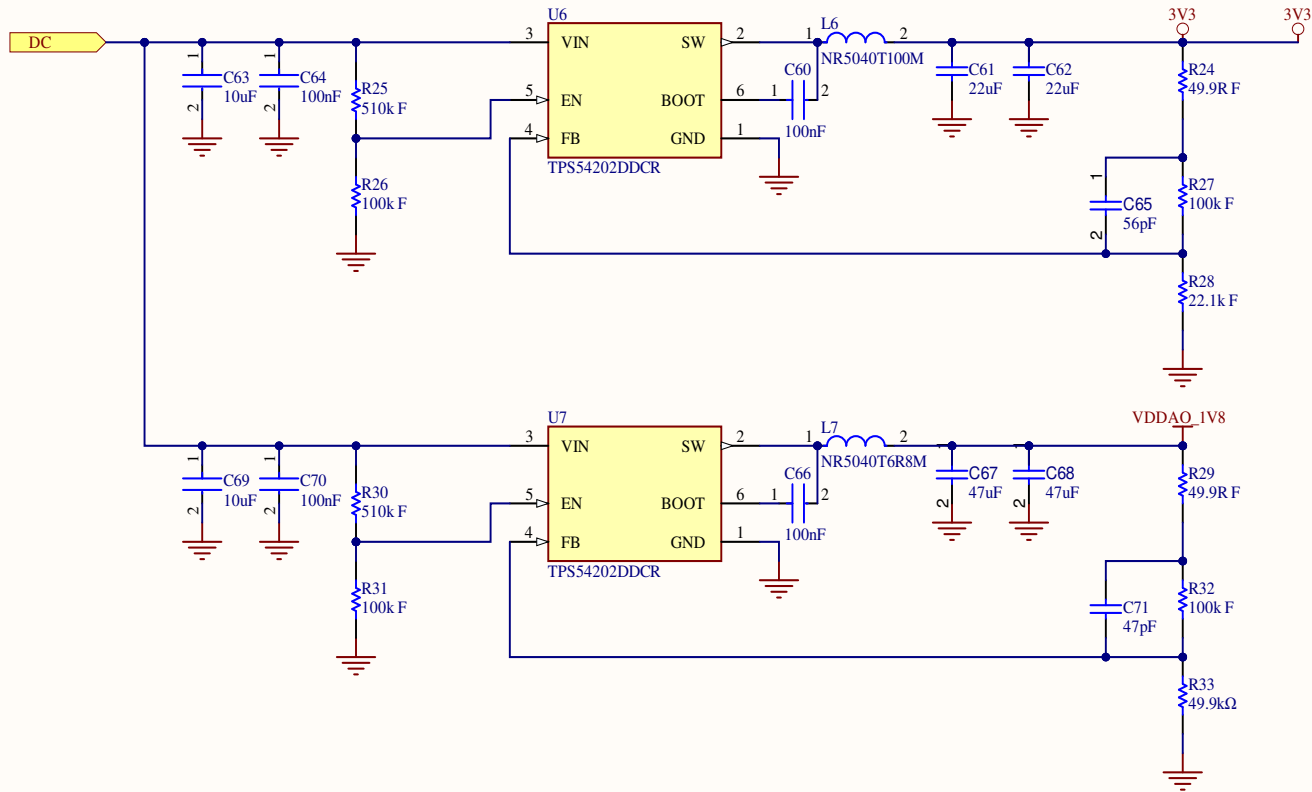
MH2

Title VU12			Hardkernel Co.,LTD. 475-1 Mananro Manangu, Anyang City Gyeongido South Korea		
Size: A4	Number: 1	Revision: 0.1			
Date: 2024-05-02	Time: 오전 11:47:43	Sheet 1 of 10			
File: VU12.SchDoc			Designed by: ruppi.kim@hardkernel.com		

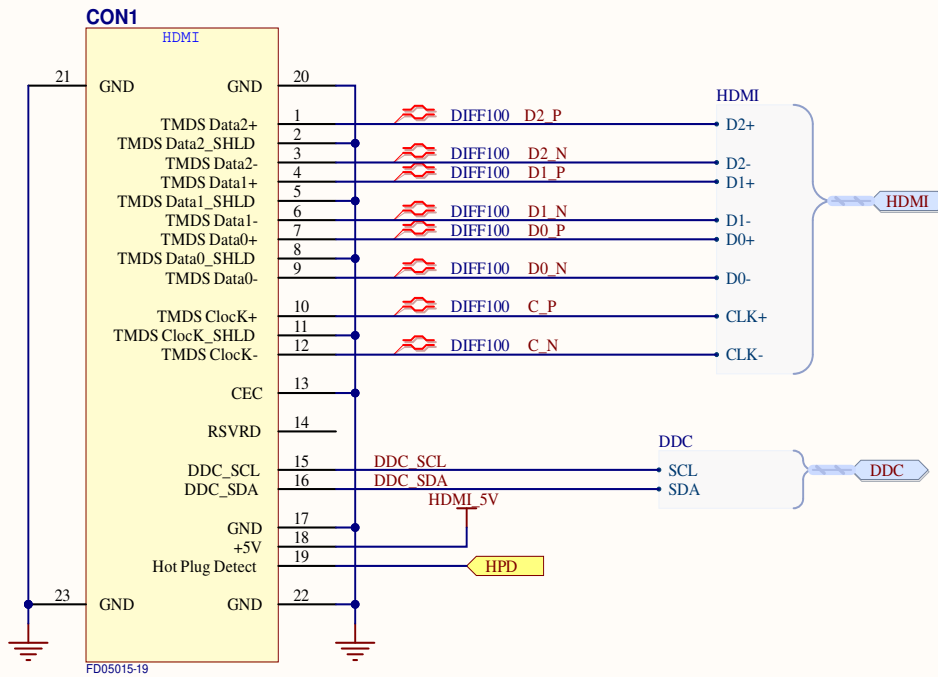




Title CODEC TAS5805M			Hardkernel Co.,LTD. 475-1 Mananro Manangu, Anyang City Gyeonggido South Korea		ODROID
Size: A4	Number: 1	Revision: 0.1	Designed by: *@hardkernel.com		
Date: 2024-05-02	Time: 오전 11:47:44	Sheet 4 of 10			
File: CODEC_TAS5805M.SchDoc					



Title POWER			Hardkernel Co.,LTD. 475-1 Mananro Manangu, Anyang City Gyeongido South Korea	ODROID
Size: A4	Number: 1	Revision: 0.1		
Date: 2024-05-02	Time: 오전 11:47:45	Sheet 5 of 10	Designed by: *@hardkernel.com	
File: POWER.SchDoc				



Title CON_HDMI		
Size: A4	Number: *	Revision:
Date: 2024-05-02	Time: 오전 11:47:45	Sheet 7 of 10
File: CON_HDMI.SchDoc		

Designed by:



1

2

3

4

A

A

B

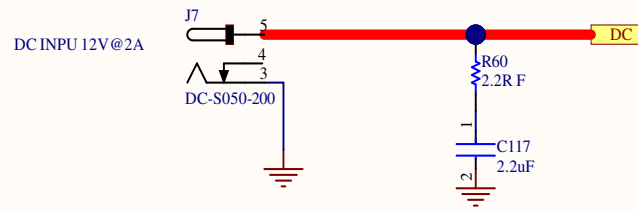
B

C

C

D

D



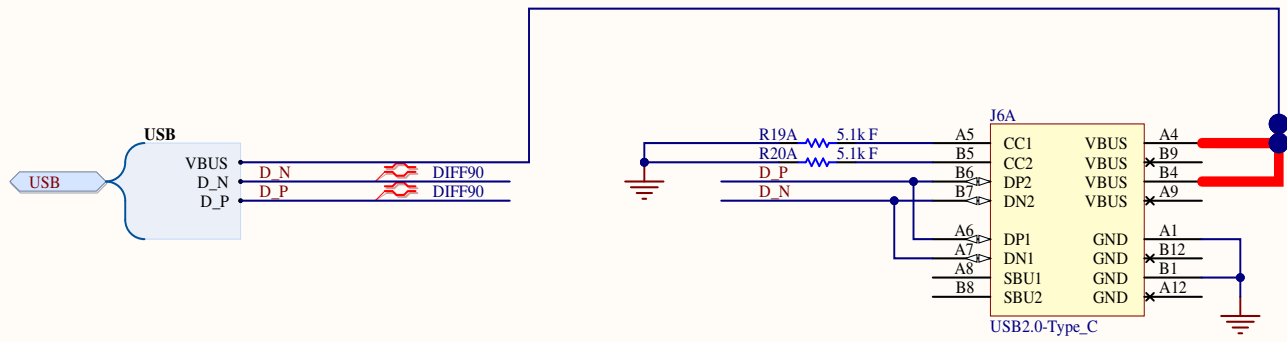
Title DC Jack			Hardkernel Co.,LTD. 475-1 Mananro Manangu, Anyang City Gyeongido South Korea		ODROID
Size: A4	Number: 28	Revision: 0.1			
Date: 2024-05-02	Time: 오전 11:47:45	Sheet 8 of 10			
File: CON_DCJACK.SchDoc			Designed by: ruppi kim@hardkernel.com		

1

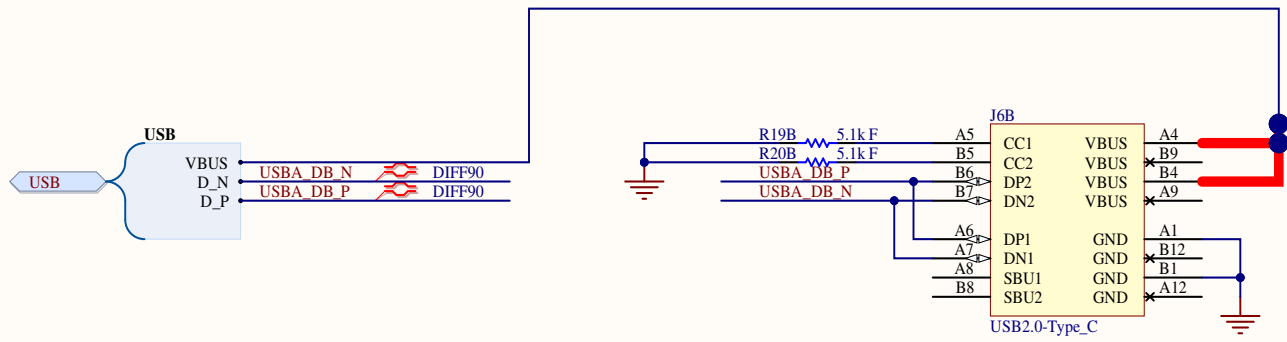
2

3

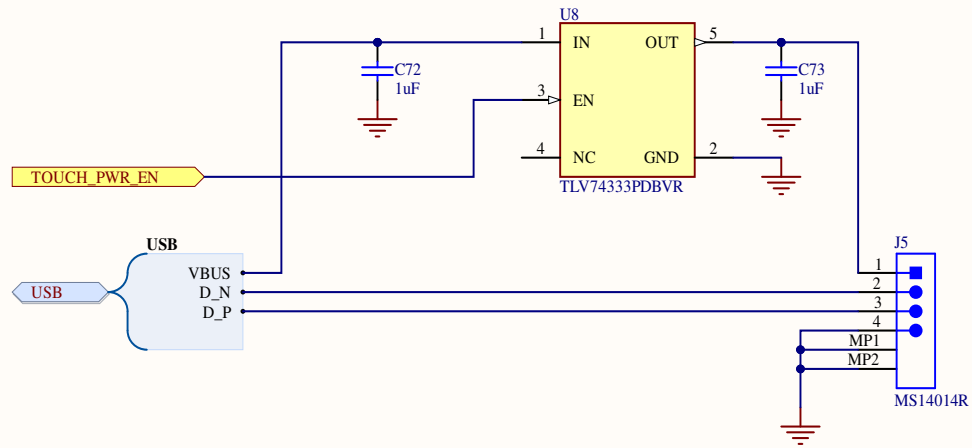
4



Title CON_TYPECUSB			Hardkernel Co.,LTD. 475-1 Mananro Manangu, Anyang City Gyeongido South Korea	ODROID
Size: A4	Number: 24	Revision:		
Date: 2024-05-02	Time: 오전 11:47:45	Sheet 9 of 10	Designed by: neal.kim@hardkernel.com	
File: CON_TYPECUSB.SchDoc				



Title CON_TYPECUSB			Hardkernel Co.,LTD. 475-1 Mananro Manangu, Anyang City Gyeongido South Korea	ODROID
Size: A4	Number: 24	Revision:		
Date: 2024-05-02	Time: 오전 11:47:46	Sheet 9 of 10	Designed by: neal.kim@hardkernel.com	
File: CON_TYPECUSB.SchDoc				



Title *			Hardkernel Co.,LTD. 475-1 Mananro Manangu, Anyang City Gyeongido South Korea		ODROID
Size: A4	Number: 1	Revision: 0.1			
Date: 2024-05-02	Time: 오전 11:47:46	Sheet 10 of 10			
File: CON_TOUCH.SchDoc			Designed by: *@hardkernel.com		