

# LogiLink®

## Aluminum Tabletop Monitor Riser for Laptop and Monitor

Art. No.: BP0033



Ideal for maximizing the available work area in a cramped workstation.

### Features:

- » Durable product with maximum capacity of 20kg
- » Raise monitor to a more comfortable viewing position
- » Anti-slip silicone pads offered for additional stability
- » Provides storage space for desk items

### Specification:

Material	Aluminum
Rated Load	20kg/44lbs
Thickness	5mm
Product Size	400 x 210 x 63mm



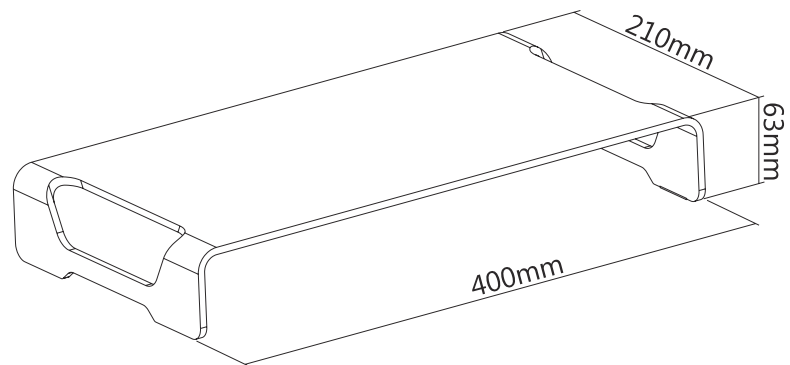
- ◀ Sleek Design
- ◀ Ultra-Slim Design

### Package Contents:

- » 1 x Aluminum Tabletop Monitor Riser

### Package Informations:

- » Packing Dimension: 420 x 235 x 72mm
- » Packing Weight: kg
- » Carton Dimension: mm
- » Carton Q'ty: pcs
- » Carton Weight: kg



! Please download the user manual online at: <http://www.2direct.de/media/other/M-BP0033.pdf>



RoHS  
compliant

\* The specifications and pictures are subject to change without notice.  
\* All trade names referenced are the registered namework of their respective owners.



BP0033



4 052792 046113

Made in China