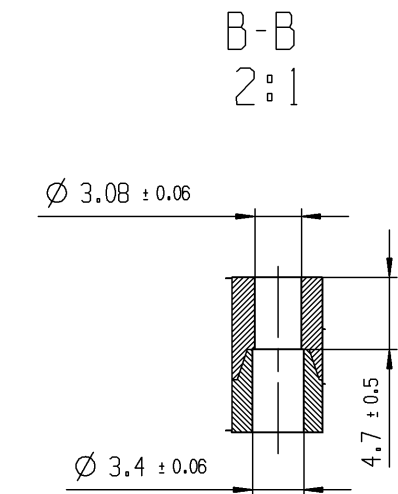
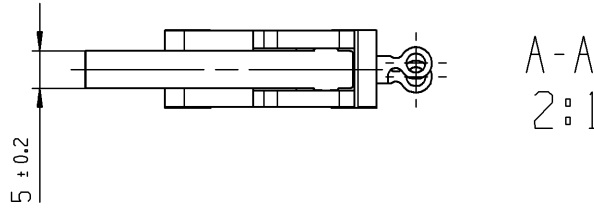
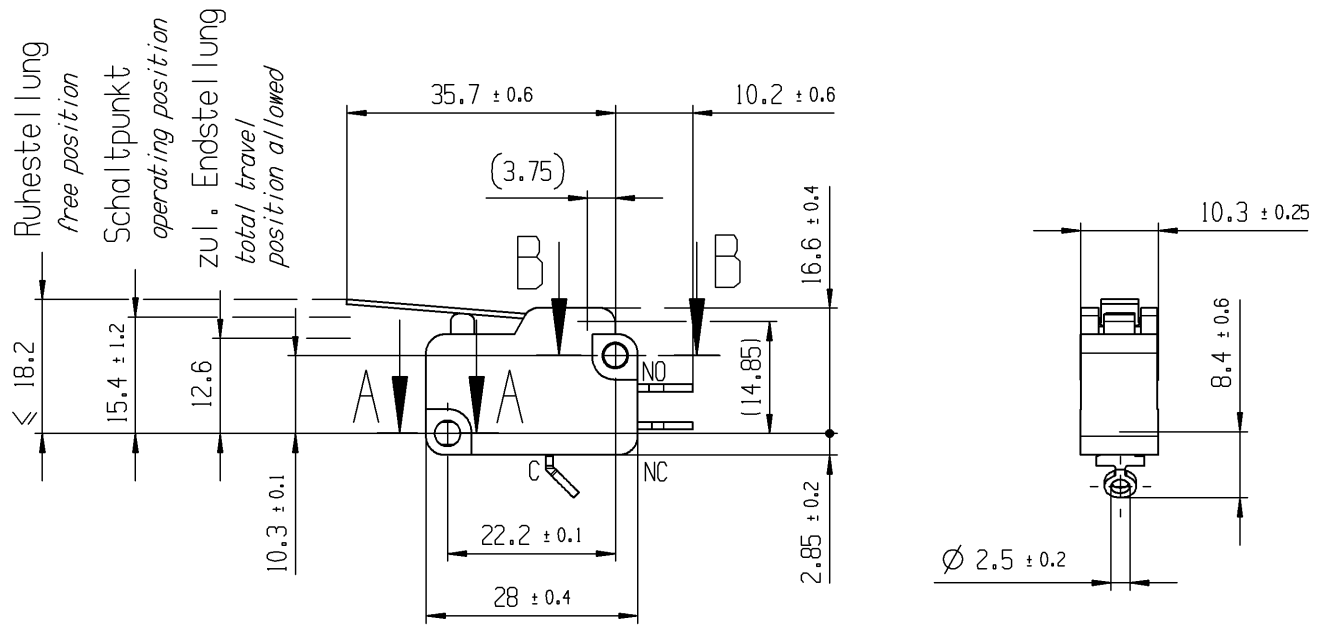


CONFIDENTIAL

VERTRAULICH

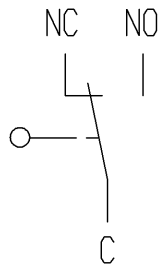
THIS DRAWING IS THE EXCLUSIVE PROPERTY OF MARQUARDT. WITHOUT THEIR CONSENT IT MAY NOT BE REPRODUCED OR GIVEN TO THIRD PARTIES.



Aufschrift
marking



1006 µ
10(4)A 400V AC 1E4 T100
6(2.5)A 400V AC 5E4



Wechsler 1-polig
single pole changeover

Schalt-Betaetigungskraft 0.8 bis 1.4 N
actuating force 0.8 up to 1.4 N

Differenzweg ≤ 0.7 mm
movement differential

Herstellort / -jahr / -woche
date code of manufacture:
place / year / week

-		-		-		1006.0901-XX				
Figure		Type		Customer No.		Art.No.-PI				
General tolerances										
All dimensions are in millimetres	Shape and location ⊙ ≡	Angle ± 2 °	Edge tolerance 	Length	Radial	Sheet 01	Ident. K			
				0-6	± 0.1			± 0.2	Document number 10060901	
				>6-15	± 0.15			± 0.3		Index g
				>15-30	± 0.2			± 0.5		
				>30-70	± 0.3			± 10%		
				>70-120	± 0.4					
>120	± 0.8									
g	134431	2020-10-21		HHE		Format DIN A4	Projection 	Scale 1:1	Snap action switch	
f	128297	2020-01-27		HHE						
e	85449	2013-10-15		BRC		System NX V11.0	Replacement of Zg.gl.Nr.v.02.09.1999	MARQUARDT		
d	26264	1999-09-02		PFU						
Index	MEC-No.	Date (YYYY-MM-DD)		Edited by						

Alle Rechte bei Marquardt, auch fuer den Fall von Schutzrechtsanmeldungen. Jede Veruegungsbefugnis, wie Kopier- und Weitergaberecht, bei uns.

