

**DC Barrel Adaptor,
5.5/2.1 mm to USB Standard A male**



Specification

Material

Inner insulator: PE, Transparent

Outer insulator: PVC, Black

Contact: Brass, Nickel plated

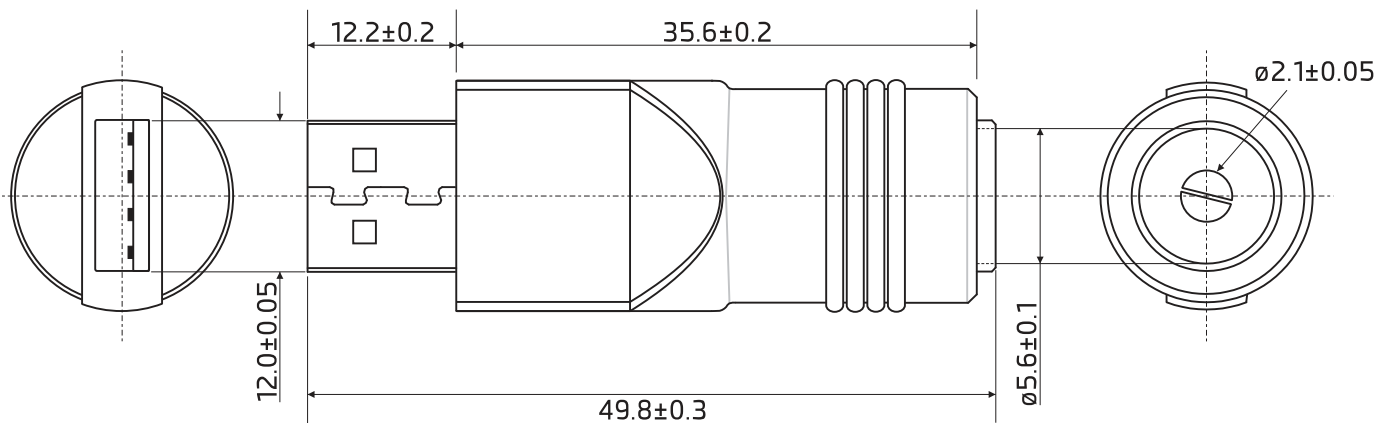
Current rating: 2A

Voltage rating: 5 Vdc

Connector resistance: 30 mΩ max.

Insulation resistance: 100 MΩ min.

Operation temperature: -20°C ~ 70°C



Dimension: mm