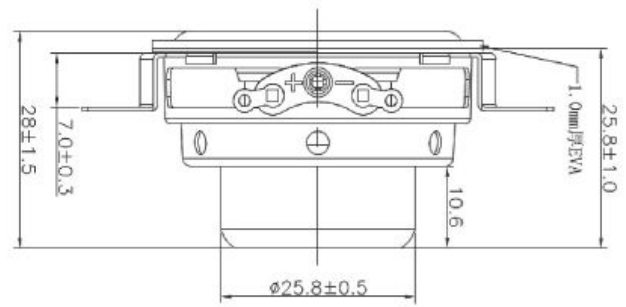
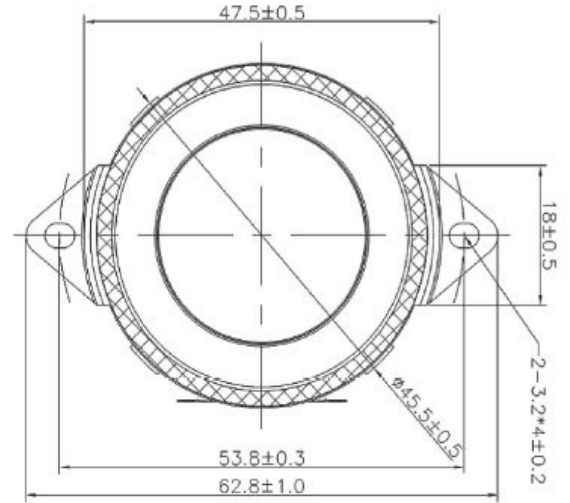
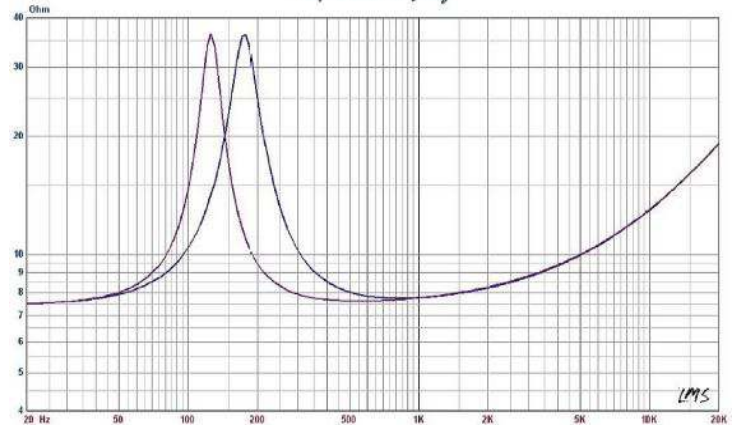


## SPECIFICATION SHEET

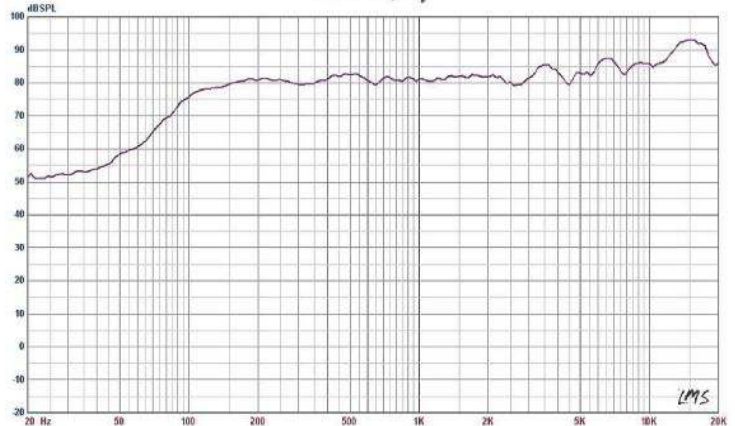
<b>MODEL</b>	PS-138
<b>MECHANICAL SPECIFICATIONS</b>	
Overall diameter (mm)	47.5
Baffle cutout diameter (mm)	45.5
Depth (mm)	28
Net weight (kg)	-
<b>ELECTRICAL SPECIFICATIONS</b>	
Nominal impedance (Ω)	8
Nominal power handling (W)	7
Program power (W)	14
Sensitivity (1W/1m) (dB)	80±3
Frequency range (Hz)	120-20KHz
Voice coil diameter (mm)	7.4
Former material	KSV/CCAW
Magnetic(Oz)	17.5
<b>THIELE &amp; SMALL PARAMETERS</b>	
Fs (Hz)	-
Re (Ω)	6.4
Qes	-
Qms	-
Qts	-
Vas (L)	-
Sd (cm <sup>2</sup> )	-
Xmax (mm)	-
Mms (gr)	-
Bl (N/A)	-
Le@1K (mH)	-
Mmd (gr)	-
Cms (mm/N)	-
Rms (kg/s)	-



*Impedance vs Freq*



*SPL vs Freq*



**Prepared by:**

**Checked by:**

**Approved by:**