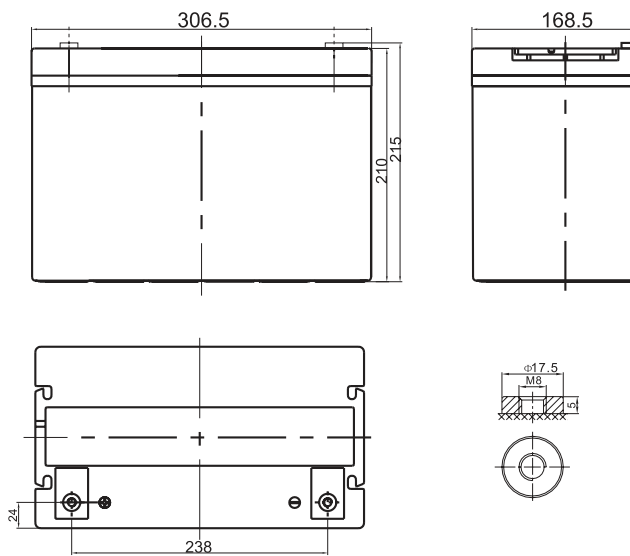


# XCELL XCELFP12100

## 12.8V 100Ah



### Dimension:



Unit: mm

### SAFETY

- + Prismatic LiFePO<sub>4</sub> cells (50Ah), High consistency, long cycle life and much more safety.
- + UN38.3, CE certification for system.
- + The cycle life over 3000 times @80%DOD

### DESIGN

- + ABS container, replace VRLA battery perfectly.
- + Fast charge performance.
- + -20~ +55° C widely temperature range.
- + Maintenance free.

### BATTERY MANAGEMENT SYSTEM (BMS)

- + Integrated hardware BMS inside.
- + Independent protection for charge and discharge.
- + Over voltage, low voltage, over temperature and short circuit protection.



# XCELL XCELFP12100

## 12.8 V 100 Ah

### Specification

Model	R-LFP12.8V100Ah
Part Number	XCELFP12100
Nominal Voltage [V]	12.8
Nominal Capacity [Ah]	100
Total Energy [Wh]	1280
Max. Charging Current [A]	100
Recommended Charging Current [A]	50
Charging Voltage [V]	14.6
Max. Discharging Current [A]	100
End of Discharge Voltage [V]	11.2
Pulse Discharge Current	270A @ 10s
Dimension [W*D*H, mm]	306*168*210
Weight [Kg]	12.9
Operation Humidity	0~95% RH (No condensing)
Operating Temperature Range	Charge: 0 ~ +50 °C ; Discharge: -20 ~ +55 °C
BMS Protection	Over charge Over discharge, Over temperature, Short circuit
Parallel Support	Yes, Max 2 Sets
Series Support	Yes, Max 4 Sets
Cycle Life	>3000
Designed Calendar Life	>10 Years
Certification	UN38.3, CE, MSDS

Note:

1. 80% DOD and to 80% of initial capacity.