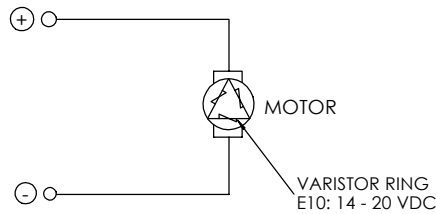
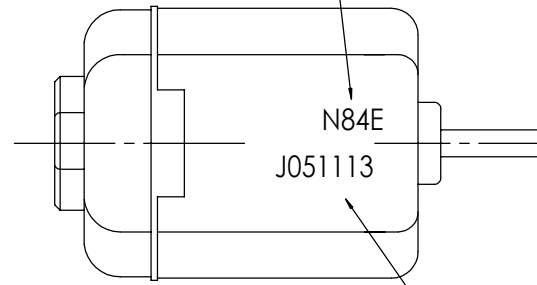
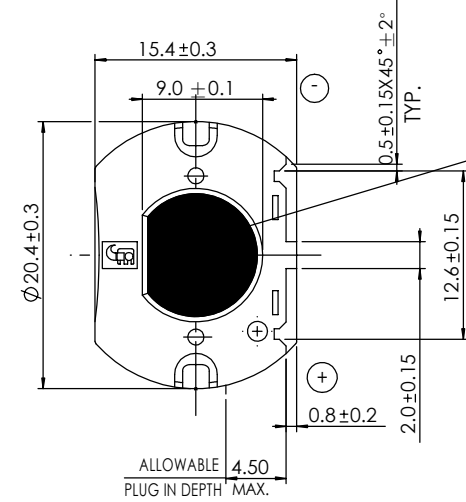
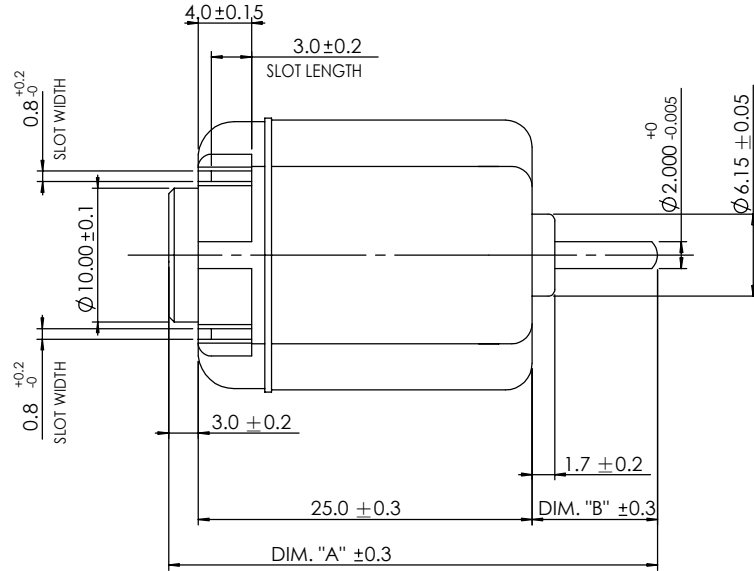
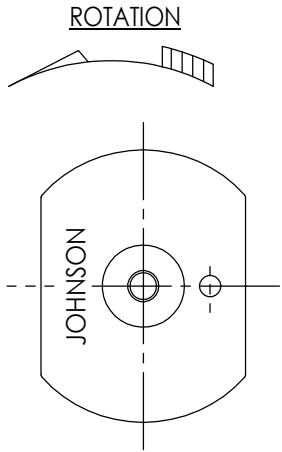


ALT.	REF.	DESCRIPTION	DATE	BY
A	SRF#25531	FIRST ISSUE(SCN#01081114)	20080908	XW



CIRCUIRITY

NOTES :

1. NUMBER OF SLOTS/POLES: 3 .
2. MAX POWER OUTPUT: 0.848 WATTS REF..
3. OPERATING TEMPERATURE OF MOTOR: -40 - +85 °C.
4. LENGTH OF MOTOR, DIM. "A", TO BE 37.4 mm.
5. FRONT EXTENSION, DIM. "B", TO BE 9.40 mm WHEN MEASURED WITH SHAFT PUSHED AGAINST PLASTIC END CAP.
6. DIRECTION OF ROTATION : ANTI-CLOCKWISE WHEN VIEWING MOTOR OUTPUT END WITH POSITIVE VOLTAGE APPLIED TO POSITIVE TERMINAL.
7. END PLAY : 0.3 mm MAX.

DIRECT PRINT CUSTOMER P/N. & DATE

CODE ONTO REAR HOUSING.  
 DATE CODE FORMAT REFER TO ESDC-038.  
 FIRST DIGIT - STAND FOR PRODUCTION YEAR CODE  
 EG. J -STAND FOR 2008; K-STAND FOR 2009...  
 SECOND & THIRD DIGIT - STAND FOR PRODUCTION WEEK  
 FOURTH DIGIT - STAND FOR WEEK DAY  
 FIFTH DIGIT - STAND FOR LOT NUMBER  
 SIXTH & SEVENTH DIGIT - STAND FOR PRODUCTION LINE CODE

DWN. BY XW	CHK. BY	APP. BY
Date (yyyymmdd) 20080908	Date (yyyymmdd)	Date (yyyymmdd)
MATERIAL :		
FINISH :		
General Tolerance : ISO 2768-1 Class m (Unless specified)		ALL DIMENSIONS ARE IN MILLIMETRES
JOHNSON ELECTRIC		SCALE 2.5:1
JOHNSON ELECTRIC GROUP OF COMPANIES		TITLE MOTOR OUTLINE(NF140G)
DWG No. 1999-1010176		SHEET 1 OF 1

C <sub>pk</sub>	Characteristics
> 1.67	Key Product
> 1.33	Customer Significant
> 1.00	
Not Required	