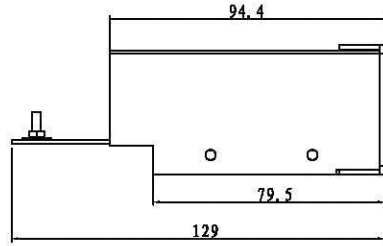
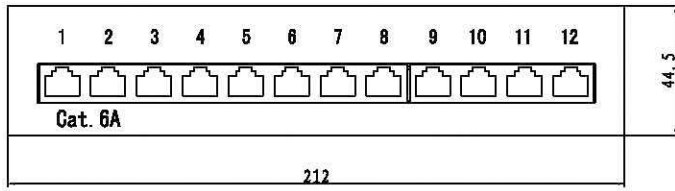
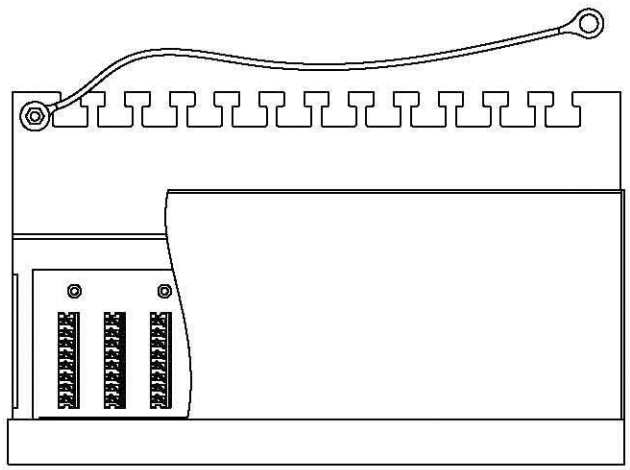


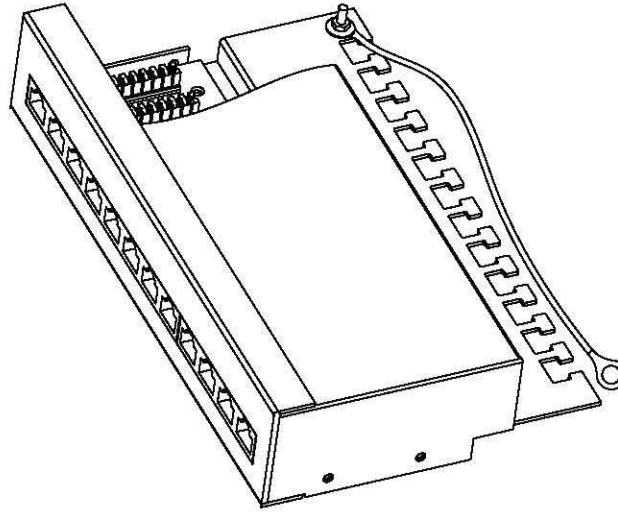
ITEM NO.	COLOR
723206	GREY
723207	BLACK



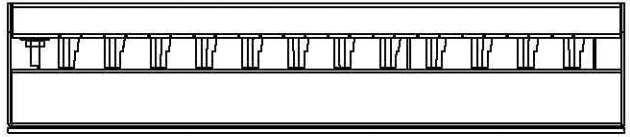
**Specification:**  
**Material:**  
 1. Metal frame: SPCC.  
 2. Plastic Housing :ABS  
 3. RJ45 contact material & finished:  
 3-1. Phosphor Bronze with Nickel plated.  
 3-2. Contact area : Gold plated.



4. IDC Housing: PC  
 5. IDC Terminal material & finished:  
 5-1. Phosphor Bronze with Tin plated.  
 5-2. Krone tool compatible.  
 5-3. Suitable for 22-26 AWG stranded and solid wire.



**Performance:**  
 a. The sticker color codes combine two wirings of T568A & T568B.  
 b. Insertion Force: 900 gms for 8 contacts.  
 c. Retention Strength: 7.7 kgs between Jack and Plug.  
 d. Operation Temperature: -30, to 60, .  
**Durability:**  
 e-1. Jack : 750 cycles Plug-Jack mating and unmating test, Insertion cycles at 20 cycles/minute max. Contact resistance test per 100 cycles.  
 e-2. IDC : Max. 200 punching times.  
 f. The Cat.6A performance is in compliance with the ANSI/TIA/EIA 568 C.2 standard.



		Tolerance: X. ±0.5 .X ±0.3 .XX ±0.10		SCALE: FREE	CUSTOMER:		Approved by	
		Angle: X° ±3° .X° ±1°		UNIT: mm	CUSTOMER P/N:		COMPANY P/N:	
REV.		DESCRIPTION		REV.: 00	DWG. No.:		TITLE:	
		DATE		SHEET	1/1		12 PORT PANTCH PANEL (CAT6A)	
								Checked by
								Design by XJH